

POWERLIFT® HOIST

ZERO-FLEET, HIGH PERFORMANCE HOIST



High-Performance Automation, Versatile Design

The PowerLift® hoist is a proven all-around versatile hoist available in a range of fixed and variable speeds. This zero-fleet hoist can easily be mounted vertically or horizontally depending on your facility's design. Its pre-cabled design can be quickly installed in virtually any space, including performance venues without a conventional grid.

Capability

Speed: Up to 180 fpm (0.9 m/s)

Capacity: Up to 2000 lb (907 kg)

Travel: Up to 62 ft (19 m)

Max. Batten Length: 76 ft (23 m)

Hoists can be mounted vertically or horizontally

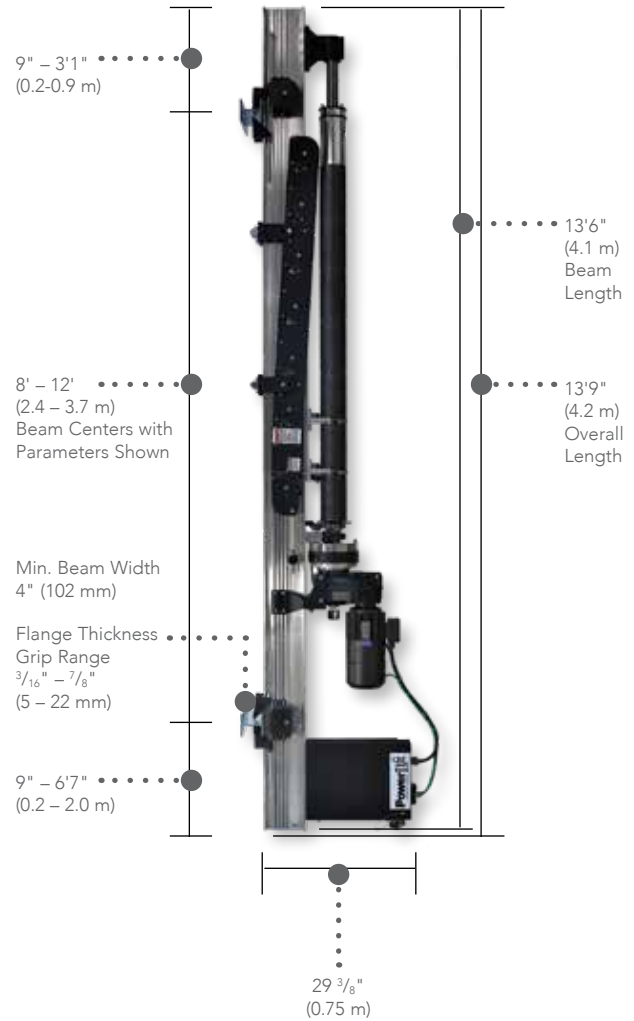


For Your Unique Performance Needs

- Integrated gearmotor and brake provides proven reliability and safety.
- Reliable head block with nylon sheaves provides long, trouble-free life and meets or exceeds wire rope manufacturer recommendations.
- Closed loop vector drives provide pinpoint accuracy and can hold the load without a brake for added safety.
- Hoists can be mounted vertically or horizontally. For theatres without grids, vertical mounting can save space and offers easier access for maintenance.
- Versatile mounting clips encompass a wide range of beam spacing and flange widths for easy installation.
- Compact moving drum allows overall hoist size to be smaller.
- Preloaded chase rollers ensure cables stay in grooves.
- Center to center spacing 11" (279 mm) side by side, 8" (200 mm) offset.

Designed with Safety in Mind

- Dual braking system with primary brake on the moto and an independent SureBrake® II operating directly on the drum shaft. SureBrake II is spring applied and electrically released for maximum safety.
- Emergency-stop system meets NFPA 79 (Electrical Standard for Industrial Machinery) with ramped stops for high speed equipment to reduce mechanical shock loads.
- Two levels of limit switches with normal travel and over travel switches using sparate, redundant circuits for added safety.
- Loft block idlers contain individual grooves to keep lines contained, prevent binding, friction, and eliminate rubbing of adjacent lines.
- Touch safe interior of all electrical enclosures guards to prevent contact with live componenets, per IEC 204-1 Protection.



Control Options

PowerLift works with the entire range of J.R. Clancy motion control systems.

Order Information

NUMBER	LOAD SPEED	GROSS CAPACITY	HOIST WEIGHT
018-P0220G	20 fpm (0.1 m/s)	2,000 lb (907 kg)	750 lb (340 kg)
018-P0220R	0 - 20 fpm (1 - 0.1 m/s)	2,000 lb (907 kg)	750 lb (340 kg)
018-P1212R	0 - 120 fpm (1 - 0.6 m/s)	1,200 lb (544 kg)	770 lb (349 kg)
018-P1220R	0 - 120 fpm (1 - 0.6 m/s)	2,000 lb (907 kg)	800 lb (363 kg)
018-P1812R	0 - 180 fpm (1 - 0.9 m/s)	1,200 lb (544 kg)	800 lb (363 kg)
018-P1817R	0 - 180 fpm (1 - 0.9 m/s)	1,750 lb (793 kg)	850 lb (385 kg)