

# TITAN® HOIST

HIGH-PERFORMANCE HOIST



## Built for Performance

Titan is a high-performance hoist for applications requiring large capacity, speed and/or long travel. Titan is a customizable, pre-engineered hoist – it is engineered and manufactured to your requirements yet provides the economic benefits of an “off-the-shelf” system. Titan can be mounted vertically or horizontally - for theatres without grids, vertical mounting can save space and offers easier access for maintenance.

## Capability

Speed: up to 650 fpm (3.3 m/s)

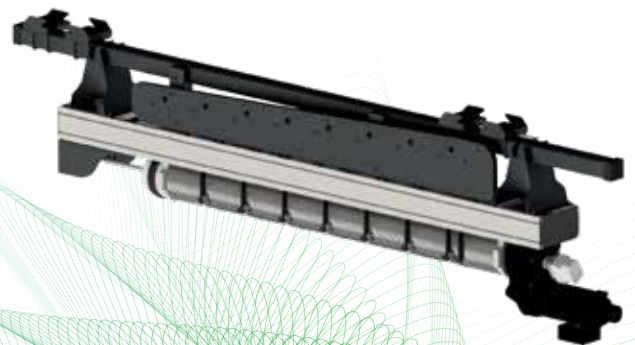
Capacity: up to 3,300 lb (1,496 kg)

Travel: up to 8 lines @ 90 ft (27.4 m)

up to 10 lines @ 67 ft (20.4 m)

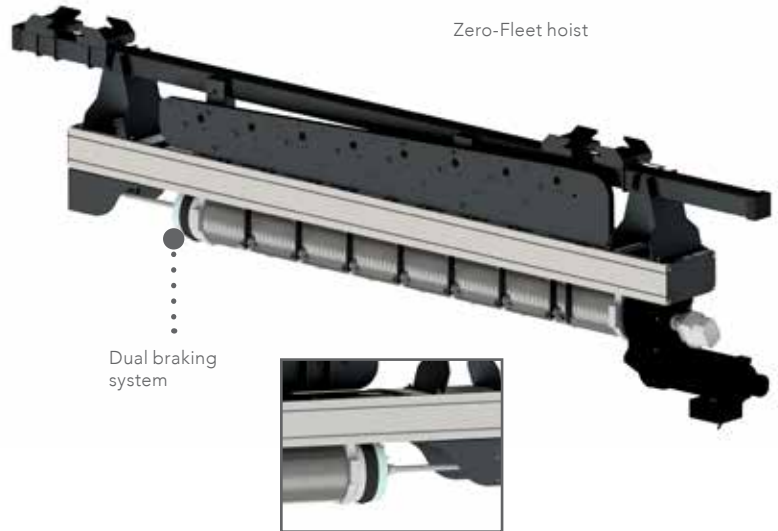
Max. batten length: 96 ft (29.3 m)

Hoists can be mounted vertically or horizontally



## Customized to Meet Your Unique Performance Needs

- Integrated gearmotor and brake provide proven reliability and feature an iron case for vibration and noise control.
- Reliable head block with nylon sheaves provide long, trouble-free life and meet or exceed wire rope manufacturer recommendations.
- Zero-fleet design allows for a compact, efficient hoist. Preloaded chase rollers ensure cables stay in grooves.
- Closed loop vector drives provide pinpoint accuracy.
- A complete suite of load and safety features is available including slack line, over/under load, and cross-groove detection. Load monitoring, acoustic dampening, and safety covers can also be added.
- Steel backbone adapts to your mounting and load requirements.



Zero-Fleet hoist

## Titan® Hoist Speeds and Capacities

TYPE	HOIST SPEED	HOIST CAPACITY
018-T0224	20 fpm (.1 m/s)	2400 lbs (1089 kg)
018-T0233	20 fpm (.1 m/s)	3300 lbs (1497 kg)
018-T2022	200 fpm (1 m/s)	2200 lbs (998 kg)
018-T2030	200 fpm (1 m/s)	3000 lbs (1361 kg)
018-T2633	260 fpm (1.3 m/s)	3300 lbs (1497 kg)
018-T3413	340 fpm (1.7 m/s)	1300 lbs (590 kg)
018-T3417	340 fpm (1.7 m/s)	1750 lbs (794 kg)
018-T4022	400 fpm (2 m/s)	2200 lbs (998 kg)
018-T6514	650 fpm (3.3 m/s)	1400 lbs (635 kg)

Travel: 8 Lines – 90' (27.4 m), 10 lines – 67' (20.4 m)

## Designed for Safety

Designed and manufactured by J.R. Clancy, a Wenger Corporation brand with more than 130 years of rigging expertise.

- Dual braking system with a primary brake on the motor and a completely independent SureBrake® II operating directly on the drum shaft. SureBrake® II is spring applied and electrically released for maximum safety.
- Emergency-stop system meets NFPA 79 (Electrical Standard for Industrial Machinery) with ramped stops to reduce mechanical shock loads.
- Two levels of limit switches with normal travel and overtravel switches using separate, redundant circuits for added security.
- Loft block idlers contain individual grooves to keep lines contained, prevent tangles, and eliminate rubbing of adjacent lines.
- Touch-safe interior of all electrical enclosures guards to prevent contact with live components, per IEC 204-1 Protection.