

VARION™

VERSATILITY HOIST



Design, Manufacture and Installation of Theatrical Equipment Worldwide

VARION™ Versatility Hoist

A Hoist that Fits

Whether you're building a new theatre or retrofitting an older space, J.R. Clancy's new VARION™ Versatility Hoist is the perfect fit – both for front-of-house and onstage applications, and for your budget. Unconstrained by the width of the theatre space, the VARION™ hoist can be installed so that its first line can be dropped within inches of the wall, depending on the beam location. This makes the VARION™ hoist the ultimate choice for theatre retrofits, bringing automation to facilities that could not accommodate it before. Available with a cable management system and your choice of SceneControl® 5000 Series consoles, the VARION™ hoist is part of the complete package of rigging solutions from the company with nearly 130 years of rigging innovation history.

Designed with Versatility in Mind

The VARION™ Versatility Hoist can be mounted on existing infrastructure, including a building's bar joist, without causing horizontal stresses on the structure. Use it for electrics, curtains, drops, or front-of-house stage lighting or speakers. Compact, the hoist's motor can fit at almost any point on VARION's robust back bone. Loft blocks can be mounted almost anywhere on the beam, so they can fit around specific objects or be placed to coincide with openings. Even maintenance is easy: The hoist's open design provides ready access, allowing technicians to maintain and inspect the hoist.

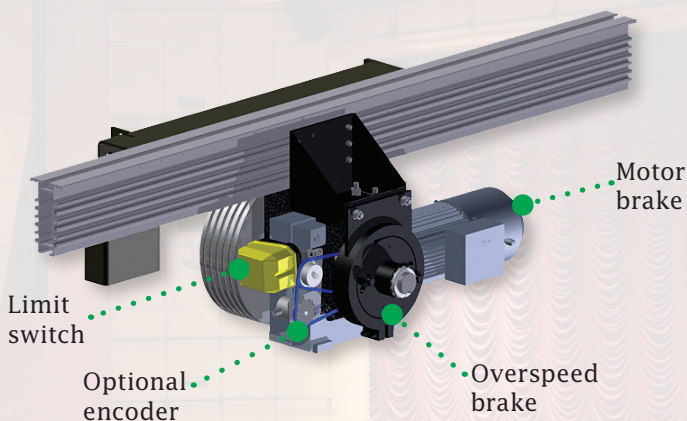
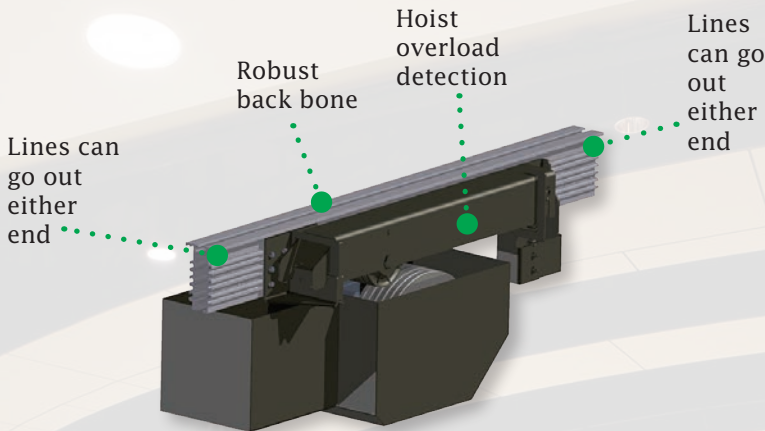
The Features You Need

You told us what you needed, and we listened: With batten lengths up to 45 feet and as much as 50 feet of travel, the VARION™ hoist delivers a gross lifting capacity of 1,500 pounds. Five lift lines are adjustable on the back bone, feature steel guides, so there's no danger of cables crossing the groove. The hoist can be underhung or sit on top of grid – whatever works best for your needs in your theatre. Equally important, this affordable hoist gives you the flexibility you need at a price point your budget can handle.

Clinton High School, Clinton, NY

J.R. Clancy: Quality Since 1885

Design, Manufacture and Installation of Theatrical Equipment Worldwide
7041 Interstate Island Road, Syracuse, NY USA 13209
1-800-836-1885 • 315-451-3440 • info@jrclancy.com • www.jrclancy.com



For more information,
contact your J.R. Clancy Sales Representative or Dealer.

VARION™ Versatility Hoist

Built for Versatility

- Motor can be placed just about anywhere on the beam; not constrained by theatre width
- Can be mounted to any existing structure, including joists
- Can be underhung or sit on top of grid
- Loft blocks can go just about anywhere on beam
- Lift lines can go on both ends of the back bone
- Open design for easy inspection and maintenance accessibility

Additional Features and Specifications:

- Travel: Up to 50'
- Batten Length: Up to 45'
- Live load: 1,350 lbs. without plug-in strip, 1,000 lbs. with plug-in strip
- Gross load: 1,500 lbs.
- Lift lines: 5, Adjustable on back bone
- Speed: 15 fpm
- Wire rope diameter: 3/16"
- Safety features: Hoist overload detection and overspeed brake

Options include:

- Encoder
- Cable management system
 - Cable management: flat fold
 - Data cable available for DMX or Ethernet protocol
- Lighting circuits: Up to 36 (configuration dependent)

VARION™ Versatility Hoist Order Information

NUMBER	DESCRIPTION
--------	-------------

All Hoist Assemblies and Accessory PNs can be found listed in the catalog and on the website.

For more information about the VARION™ hoist or our complete rigging solutions, email us at info@jrclancy.com, or call us today at (800) 836-1885.

