

GearBoss® Athletic Equipment Storage

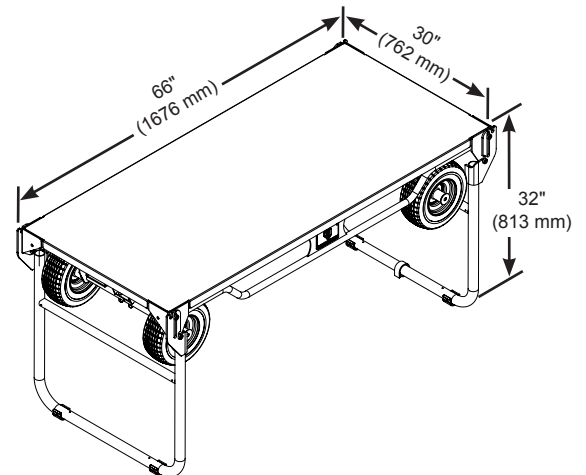
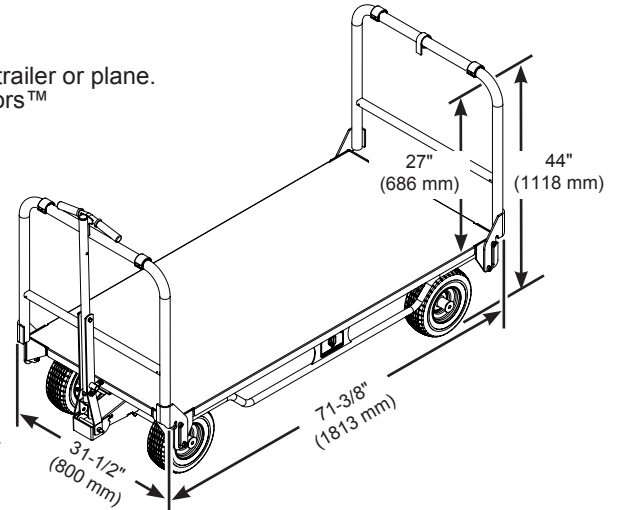
The GearBOSS TranSPORT cart is another Wenger innovation designed specifically for the needs of athletic programs. The TranSPORT cart makes it easier than ever to move a variety of equipment through your facility and out to the field. And in just a few seconds it is easily transformed into a rock-solid table for use on the sidelines or anywhere in the facility. Practices. Games. Travel. The TranSPORT cart goes everywhere your coaches and trainers go.

Intended Use

- Transport of gear within facility and outdoors to fields and points of use.
- Converts to table for use as work surface, sideline table or trainer's table.
- End braces fold for compact storage when not in use or when put in truck, trailer or plane.
- Intended for trailering behind slow-moving motorized vehicles such as Gators™ golf carts, lawn tractors, ATV's etc. Not to exceed 10 mph (16 km).

Cart Specifications

- 240A003
- Heavy-duty chassis construction.
- Chassis is 1-1/4" (32 mm) 16-gauge tube steel+1-1/4" (32 mm) square tube cross sections.
- Powdercoat paint and finish.
- Aluminum deck finished in UV and chemical-resistant powdercoat.
- Pneumatic 10" (254 mm) wheels, outdoor treads, sealed ball bearings.
- Comfort-grip pull handle transitions to pin-hitch for motorized vehicle, 1-1/4" (32 mm) 14-gauge steel with wing nut and pivot joint.
- Front wheels turn on central, permanently lubricated bearings and king-pin.
- End braces fold flat to deck for storage and rotate under deck to function as table legs.
- Made of 1-1/4" (32 mm) 14-gauge powder-coated steel tube.
- 15-1/2" (394 mm) storage height, 32" (813 mm) table height.
- 30" wide x 66" long (762 x 1676 mm) deck. 71-1/2" (1816 mm) total length.
- Dynamic maximum load rating 1,000 lbs (454 kg).
- Total cart weight 150 lbs (68 kg).
- Five-year warranty.
- Environmental attributes and LEED compliance for this product can be found at www.wengercorp.com/GREEN or by contacting your Wenger representative.



Accessories

- Heavy-duty mesh cart wrap encloses loaded cart and quickly snaps on and off.

