

GearBoss® Workstation

The equipment room is a hub of activity.

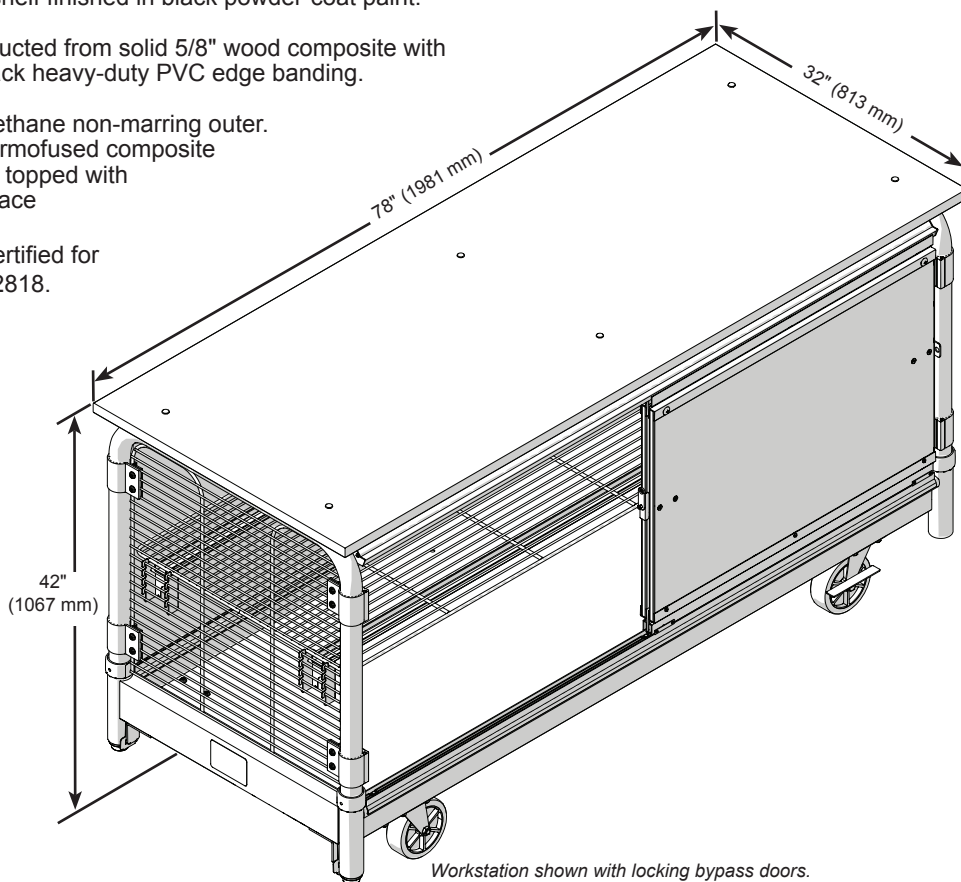
Helmets are assembled and decaled, equipment is inspected and repaired, hundreds of jerseys and garments are folded, lunch is eaten, meetings are held. If you are using folding tables, boxes or the floor to make it happen, it's time to step up to the GearBoss Workstation. Ergonomically perfect at 42" (1067 mm) high the Workstation features a tough 1" (25 mm) wood laminate surface. The entire Workstation rolls easily on casters keeping your space transitional to ever-changing activities. Built like a GearBoss Storage Cart, you can add optional, adjustable grille shelves and locking bypass doors.

Intended Use

- The GearBoss Workstation is intended for indoor use in normal ambient temperature and humidity conditions - components must not be exposed to prolong outside weather conditions.
- The heavy-duty commercial-grade swivel casters are intended for easy moving on hard surfaces such as concrete, gym floors, tile and low pile unpadding carpet
- Roller guides follow the track and can be recessed into clip holder when the cart is being used for transport.

Specifications

- 241A050 Includes one bypass door set and one side closure 384 lbs (174 kg)
- 241A052 Includes two bypass door sets 388 lbs (176 kg)
- 241A053 No doors included 314 lbs (142 kg).
- 32" wide x 78" long x 42" high (813 x 1981 x 1067 mm).
- Welded chassis made from 16-gauge, 14-gauge and 12-gauge components.
- Upright support tubes constructed from large 2" (51 mm) diameter, 16-gauge steel tubing.
- Resistant welded heavy-duty steel wire grill end frames with 1" (25 mm) grid openings.
- Durable powder-coat paint finishes.
- Includes one adjustable steel wire grille shelf finished in black powder-coat paint. Additional shelves are available.
- Optional locking bypass doors are constructed from solid 5/8" wood composite with graphite polyester laminate finish and black heavy-duty PVC edge banding. Padlock is not supplied.
- Heavy-duty 6" swivel casters with polyurethane non-marring outer.
- Top panel constructed from solid 5/8" thermofused composite wood core with aluminum extrusions and topped with a 1" (25 mm) graphite laminate work surface rated for a 150 lbs. (68 kg) load.
- UL GREENGUARD Certified - Product certified for low chemical emissions: ul.com/gg - UL 2818.
- Environmental attributes and LEED compliance for this product can be found at www.wengercorp.com/GREEN or by contacting your Wenger representative.
- Shipped fully assembled.
- Five-year warranty.



© 2017 Wenger Corporation
USA/2017-12/W



WENGER CORPORATION

Phone 800.4WENGER (493-6437) Worldwide +1.507.455.4100 | Fax 507.455.4258 Worldwide +1.507.774.8576
Parts & Service 800.887.7145 | Canada Office 800.268.0148 | Web wengercorp.com | 555 Park Drive, PO Box 448 | Owatonna | MN 55060-0448

JR CLANCY

Phone 800.836.1885 Worldwide +1.315.451.3440 | Fax 877.836.1885 Worldwide +1.315.451.1766 | Web jrclancy.com
7041 Interstate Island Road | Syracuse | NY 13209-9713

GEARBOSS

Phone 800.493.6437 | email gearboss@wengercorp.com | Web gearboss.com | 555 Park Drive, PO Box 448 | Owatonna | MN 55060-0448