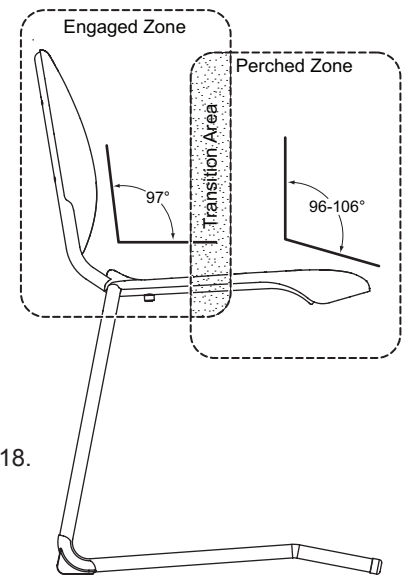
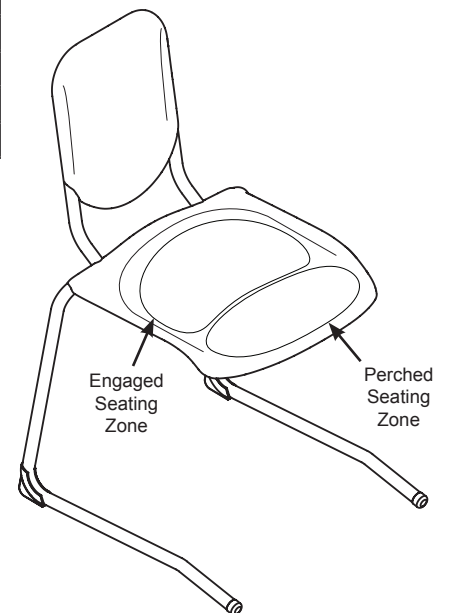
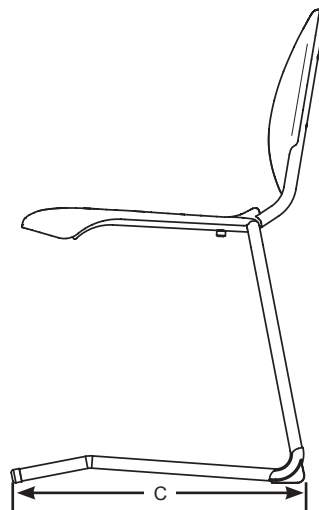
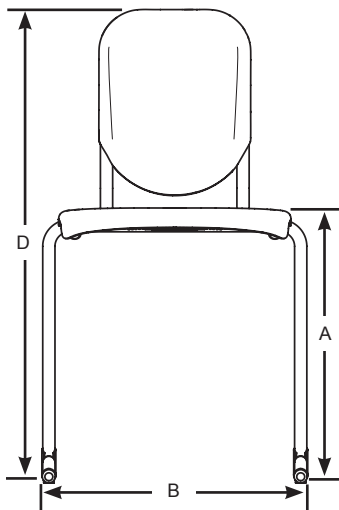


Nota[®] conBRIO[®] Standard Chair

- 0350000 Black finish frame, 14.2 lbs (6.4 kg).
0350001 Chrome finish frame, 14.2 lbs (6.4 kg).
- Black powder-coat paint finish frame for maximum durability. Chrome finish frame is also available.
- Cantilever frame allows chair to respond to the musician's movement, enabling the entire body to be engaged in the musical performance.
- Patented design provides two seating zones: "Engaged" (rear) and "Perched" (forward).
 - The engaged position allows the occupant to sit with a thigh to back angle of 97°.
 - The perched position allows the occupant to sit with a thigh to back angle in the range of 96-106°.
 - A transition area allows users to move seamlessly between zones.
- Each zone enhances performance by promoting a naturally balanced skeletal shape, reducing muscle strain and enabling increased circulation, freedom of movement, and diaphragmatic breathing.
- Narrow convex back provides lumbar support while still allowing for freedom and range of movement.
- Wear resistant polypropylene seat and back promote even weight distribution, greater comfort and a lasting appearance.
- Seat and back available in three colors: Black, Plum and Blue.
- Back is 1/8" (3 mm) thick.
- Seat is 9/64" (3.6 mm) thick.
- 12-gauge welded round high strength low alloy steel frame.
- Black powder-coat paint finish for maximum durability. Chrome finish is also available.
- Available in heights of 14-1/2" (368 mm), 16" (406 mm), 17-1/2" (445 mm), 19" (483 mm) and 20-1/2" (521 mm).
- Rounded waterfall front allows one height of chair to accommodate a wider range of body sizes. Multiple standard height frames available to accommodate all musicians.
- Durable, specially designed floor glides provide stability when seated and ease of movement when arranging chairs.
- Chairs stack for compact storage, up to eighteen chairs on a cart; eight without a cart.
Note: when multiple heights of chairs are stacked on the same cart, always start with the tallest chairs.
- Specially designed stacking bumpers provide maximum stability and protection when chairs are stacked.
- ANSI/BIFMA x 5.1-2002.
- California Technical Bulletin 133 compliant.
- UL GREENGUARD Certified - Product certified for low chemical emissions: ul.com/gg - UL 2818.
- Environmental attributes and LEED compliance for this product can be found at www.wengercorp.com/GREEN or by contacting your Wenger representative.
- Five-year warranty.



Chair Height	A	B	C	D
14-1/2" (368 mm)	14-1/2" (368 mm)	19" (483 mm)	21" (533 mm)	29-3/8" (746 mm)
16" (406 mm)	16" (406 mm)	19" (483 mm)	21" (533 mm)	30-7/8" (784 mm)
17-1/2" (445 mm)	17-1/2" (445 mm)	19" (483 mm)	21-3/4" (552 mm)	32-3/8" (822 mm)
19" (483 mm)	19" (483 mm)	19" (483 mm)	21-3/4" (552 mm)	33-7/8" (860 mm)
20-1/2" (521 mm)	20-1/2" (521 mm)	19" (48 mm)	22" (559 mm)	35-3/8" (899 mm)



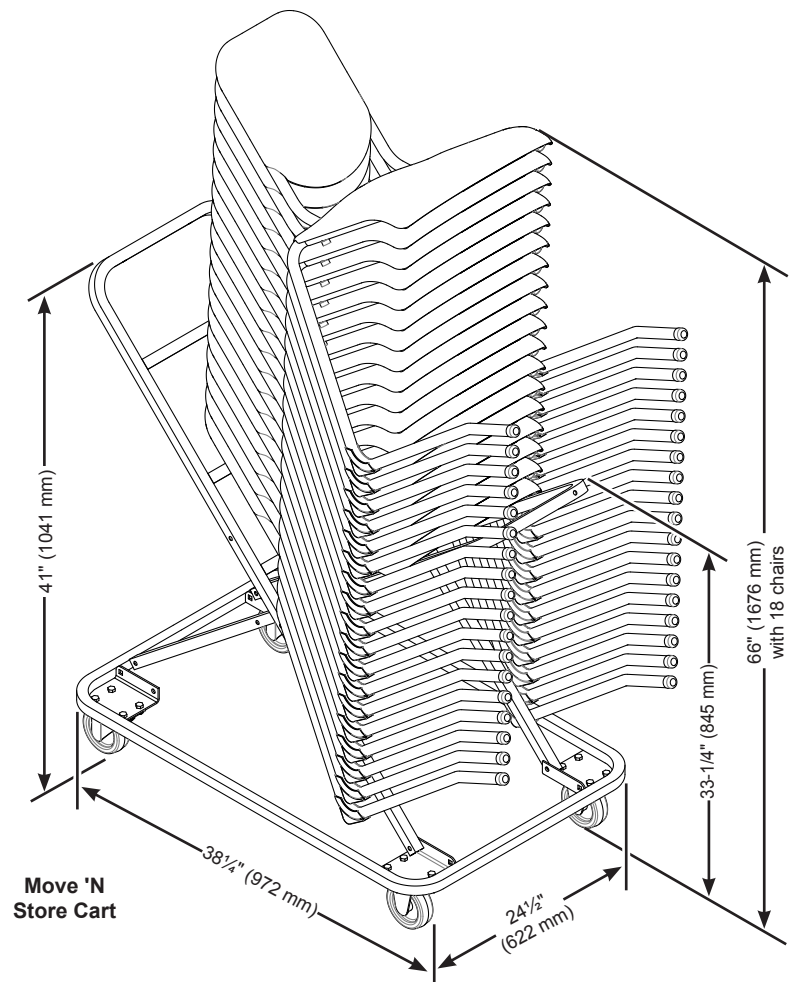
Accessories Include:

Move 'N Store Cart

- 127A261 30 lbs (13.6 kg).
- Stack, move and store up to eighteen Nota conBRIO Standard Chairs.
- 16-gauge steel construction with easy roll casters.

Dust Cover

- 054D500.
- Vinyl coated polypropylene.
- For use with chairs stacked on cart.



Wenger®

JRCLANCY

GEARBOSS®

© 2017 Wenger Corporation
USA/2017-12/W



WENGER CORPORATION

Phone 800.4WENGER (493-6437) Worldwide +1.507.455.4100 | Fax 507.455.4258 Worldwide +1.507.774.8576
Parts & Service 800.887.7145 | Canada Office 800.268.0148 | Web wengercorp.com | 555 Park Drive, PO Box 448 | Owatonna | MN 55060-0448

JR CLANCY

Phone 800.836.1885 Worldwide +1.315.451.3440 | Fax 877.836.1885 Worldwide +1.315.451.1766 | Web jrclancy.com
7041 Interstate Island Road | Syracuse | NY 13209-9713

GEARBOSS

Phone 800.493.6437 | email gearboss@wengercorp.com | Web gearboss.com | 555 Park Drive, PO Box 448 | Owatonna | MN 55060-0448