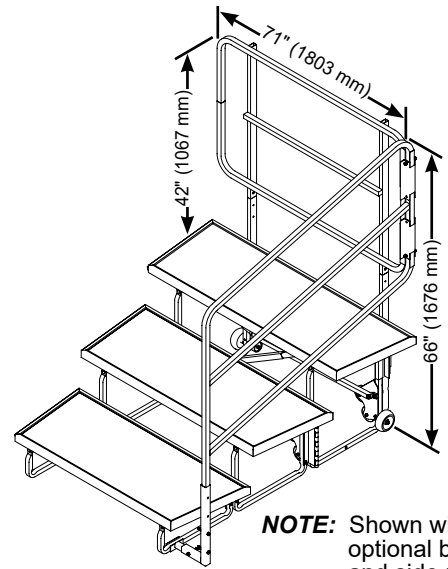


Tourmaster® Choral Risers

- 6' x 18" (1829 x 457 mm) unit 130 lb (59 kg).
- 4' x 18" (1219 x 457 mm) unit 103 lb (47 kg).
- 4'7" x 24" (1397 x 610 mm) unit 127 lb (58 kg).
- Load rating at 125 lbf/ft² (6 kN/m²)
- Portable 3-step unit, accordion style design folds compactly.
- Ideal for groups that travel.
- Frame is 7/8" (22 mm) 14-gauge square tubing.
- Steps are 19/32" (16 mm) plywood covered with manufacturer's standard grey carpet.
- Step edging is Grey powder-coat paint finish.
- Foot-pedal activated cross brace locks leg structure automatically.
- Built-in reversibility allows for straight or semi-circular configuration.
- Units have 3" (76 mm) non-marring rubber casters, built-in stair glides, two 4" (102 mm) wheels for positioning.
- Available in 4' (1219 mm) and 6' (1829 mm) lengths with 18" (457 mm) usable step depth and 24" (610 mm) usable step depth.
- Environmental attributes and LEED compliance for this product can be found at www.wengercorp.com/GREEN or by contacting your Wenger representative.
- Fifteen-year warranty.

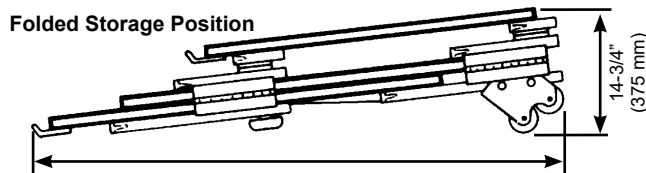
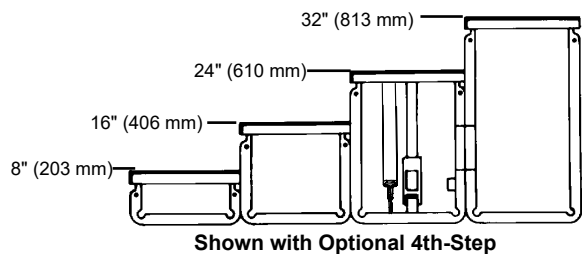
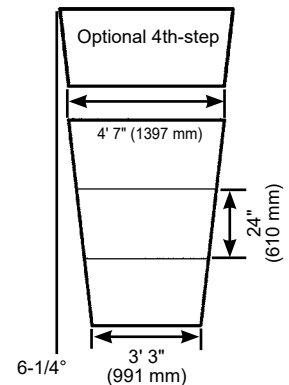


NOTE: Shown with optional back and side rail.

Accessories

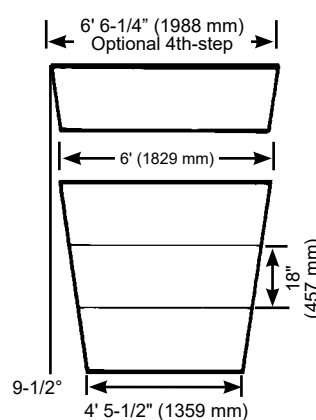
- 4th Step Addition:
 - 6' x 18" (1829 x 457 mm) unit 55 lb (25 kg).
 - 4' x 18" (1219 x 457 mm) unit 45 lb (20 kg).
 - 24" (610 mm) unit 55 lb (25 kg).
- 4th Step Addition attaches to corresponding Tourmaster Riser with integral leg clamps, no tools needed. Must be removed prior to folding for storage.
- Back rails have positioning wheels so that backrail support bar does not encumber moving riser in setup position. Back rails break down without tools for easy travel.
- Back rails are Grey metallic powder-coat paint finish with quick and easy clamp attachment to 3-step unit or 4th step addition. 42" (1067 mm) height meets OSHA standards.
- 4' (1219 mm) Back rail 24 lb (11 kg).
- 6' (1829 mm) Back rail 31 lb (14 kg).
- Optional Side rails 8 lb (22 kg) are Grey metallic powder-coat paint finish and clamp to both the Back rail and the Riser.
- Optional side rails are designed for risers set-up in the standard configuration. They do not fit on units set-up in the reverse configuration.

5' 1" (1549 mm) Riser



6' x 18" (1829 x 457 mm) Riser = 83-1/4" (2115 mm) long x 20.5" (521 mm) wide
 4' x 18" (1219 x 457 mm) Riser = 65-1/4" (1657 mm) long x 20.6" (523 mm) wide
 24" (610 mm) Riser = 67" (1702 mm) long x 26.8" (681 mm) wide
 Optional 4th-Step must be removed prior to folding for storage.

6' (1829 mm) Riser



4' (1219 mm) Riser

