

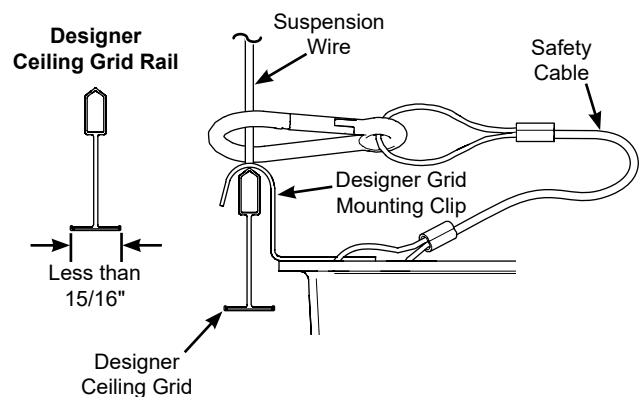
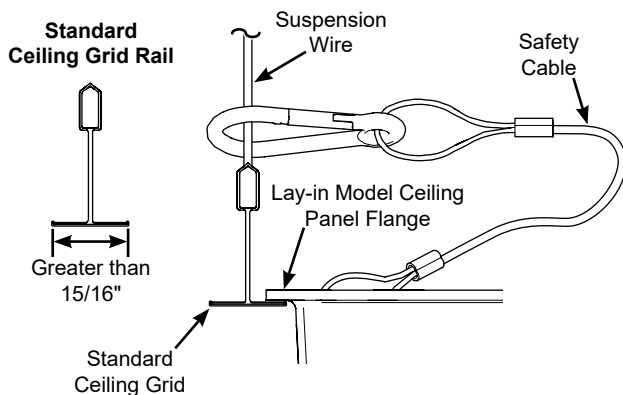
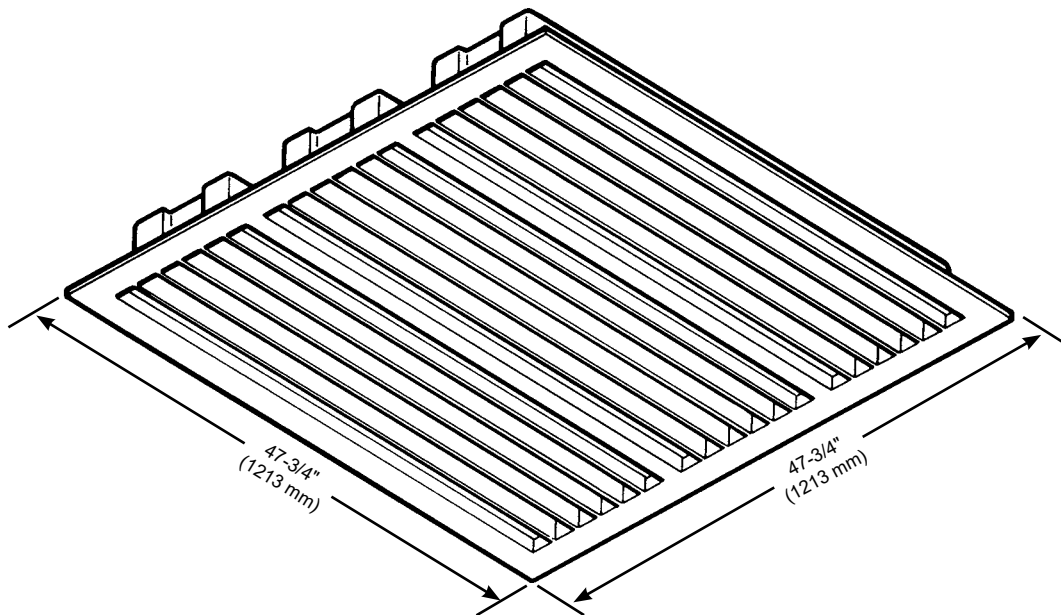
# Traditional Acoustic Panel Series: Quadratic Ceiling Diffuser Panels



- Designed to work very effectively over a frequency range of 750 to 3300 Hz.
- Diffuser designed based on the quadratic theory using a series of four different well depths with seven wells per sequence and three sequences per panel.
- 4' x 4' (1219 x 1219 mm).
- Weight - 35 lbs (16 kg).
- Detailed polar plots of TEF measurements available on request.
- Wells are 2.1" (53 mm) wide with a maximum depth of 5.2" (132 mm). Panel depth is 6" (152 mm).
- Manufacturers standard construction of Geon X1502 - 170 - 5001 thermo molded plastic, 1/8" (3 mm) material thickness.
- Made from PVC/acrylic plastic which meets Class A flame spread and smoke developed requirements according to NFPA 101 Life Safety Code Requirements.
- Surface is paintable using latex acrylic paint only.
- Lay-In ceiling panels attach securely to a suspended ceiling grid (safety cables provided).
- For a suspended ceiling grid, please specify if using standard or designer grid system.
- Clip-In ceiling panels may be direct mounted to permanent ceiling, or suspended from ceiling by wire from four corner hooks.
- Environmental attributes and LEED compliance for this product can be found at [www.wengercorp.com/GREEN](http://www.wengercorp.com/GREEN) or by contacting your Wenger representative.
- Recyclable.
- Five-year warranty.

## Installation

- Tee-Grid System must meet or exceed intermediate duty A.S.T.M. specifications.
- A minimum of 12" (30 cm) is needed between Tee-Grid System and any obstructions above Tee-Grid System.



## Acoustical Performance

- Upper Design Frequency (f max.) 3300 Hz
- Lower Design Frequency (f min.) 750 Hz
- Number of wells (N) 7
- Largest Sequence (S max.) 4
- Maximum well depth (d max.) 5.2" (132 mm)
- Well width 2.1" (53 mm)
- Number of sequences per panel 3

Absorption Coefficients Octave Bands						
Frequency (Hz)	125	250	500	1000	2000	4000
Absorption Coefficient	0.36	0.54	0.59	0.43	0.24	0.19
E-400 Mounting						



© 2018 Wenger Corporation  
USA/2018-12/W



**WENGER CORPORATION** Phone 800.4WENGER (493-6437) Worldwide +1.507.455.4100 | Parts & Service 800.887.7145 | Canada Office 800.268.0148 | wengercorp.com

**JR CLANCY** Phone 800.836.1885 Worldwide +1.315.451.3440 | jrclancy.com | 7041 Interstate Island Road | Syracuse NY 13209-9713

**GEARBOSS** Phone 800.493.6437 | email gearboss@wengercorp.com | gearboss.com | 555 Park Drive, PO Box 448 | Owatonna MN 55060-0448