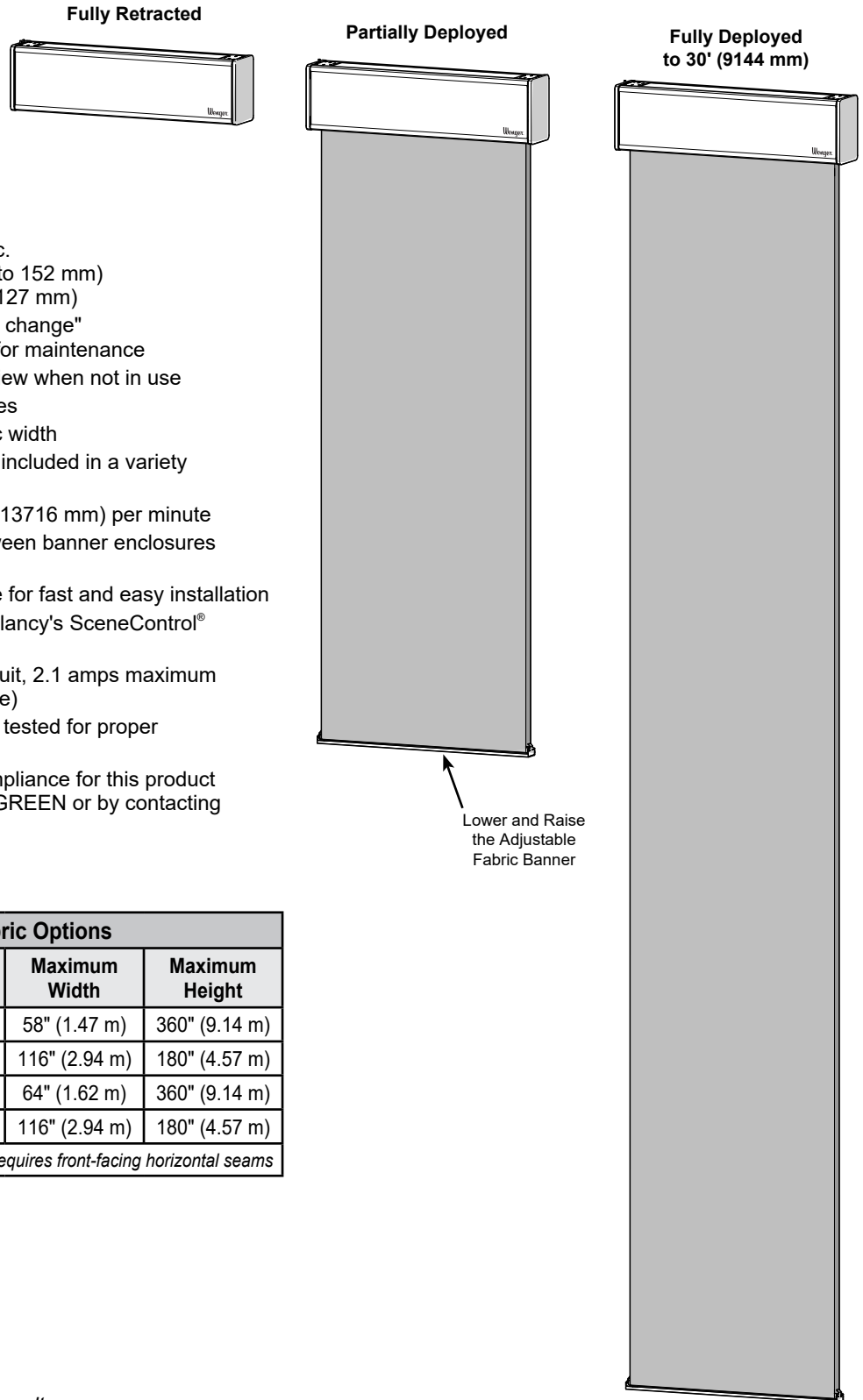


Transform[®] Motorized Acoustical Banner



- Available fabric options:
 - Encore Velour, double layer 22 oz (0.6 kg)
 - Wool Serge, double layer 30 oz (0.85 kg)
- See table below for banner fabric options
- Tubular motor driven system for use in an operator controlled or pre-set environment
- Designed for performance spaces, including performance halls, theaters, and auditoriums
- All fabrics are IFR rated
- Each banner option includes adjustable spacing away from the wall and between the layers of fabric.
 - From wall to rear fabric: 4" to 6" (102 to 152 mm)
 - Between fabric layers: 3" to 5" (76 to 127 mm)
- Each banner includes a standard "quick change" provision to allow fabric to be removed for maintenance
- Banner retracts into cove to hide from view when not in use
- Banner includes laminated wood closures
- Enclosure width will vary to match fabric width
- For exposed installations, end caps are included in a variety of finishes
- Fast and quiet deployment of up to 45' (13716 mm) per minute
- A minimum 2" (51 mm) of spacing between banner enclosures is recommended
- Wall and ceiling mount kits are available for fast and easy installation
- Banner system will integrate with J.R. Clancy's SceneControl[®] systems or simple push button controls
- Requires a standard 120-volt/60 Hz circuit, 2.1 amps maximum per banner (worldwide voltages available)
- Each banner is shipped assembled and tested for proper operation before shipment
- Environmental attributes and LEED compliance for this product can be found at www.wengercorp.com/GREEN or by contacting your Wenger representative
- Patents pending
- Three-year warranty



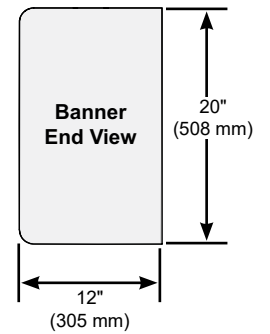
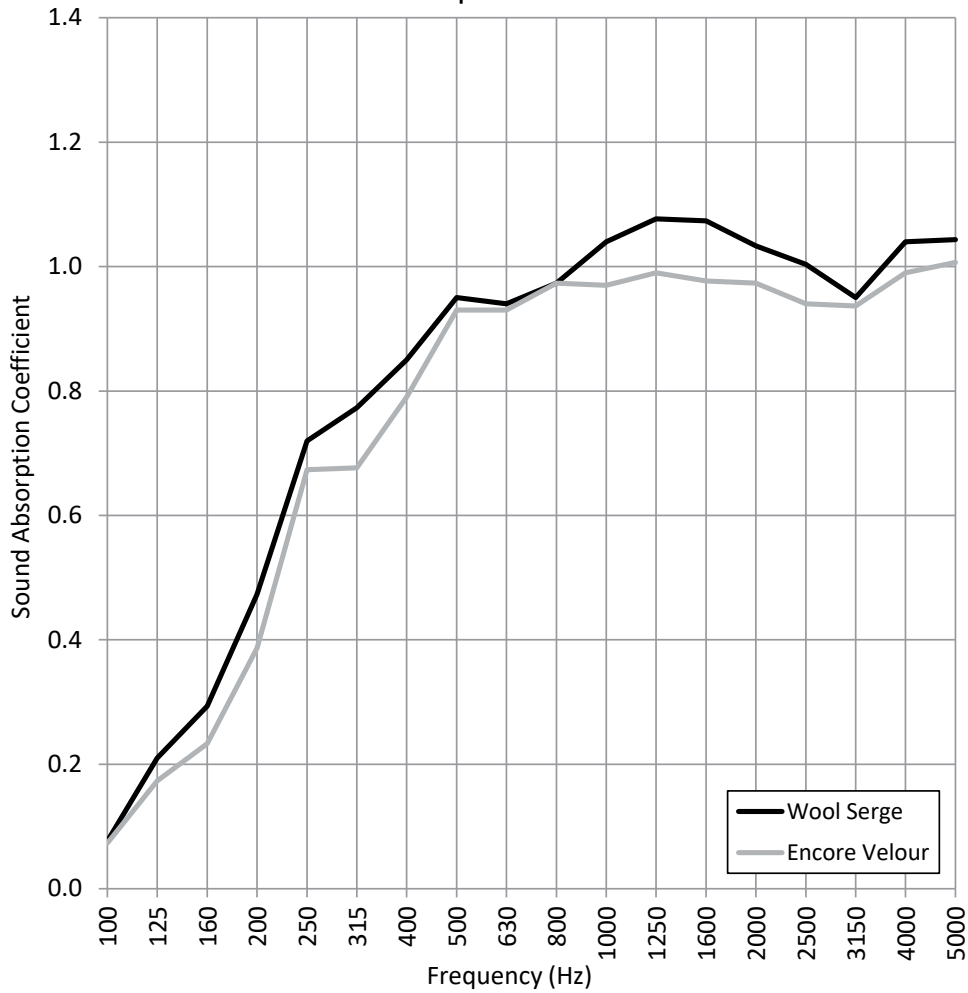
Transform Banner Fabric Options				
Fabric Type	Horizontal Seams ¹	Minimum Width	Maximum Width	Maximum Height
Wool Serge	No	32" (0.81 m)	58" (1.47 m)	360" (9.14 m)
	Yes	59" (1.50 m)	116" (2.94 m)	180" (4.57 m)
Encore Velour	No	32" (0.81 m)	64" (1.62 m)	360" (9.14 m)
	Yes	65" (1.65 m)	116" (2.94 m)	180" (4.57 m)

¹ Wider banner fabric requires front-facing horizontal seams

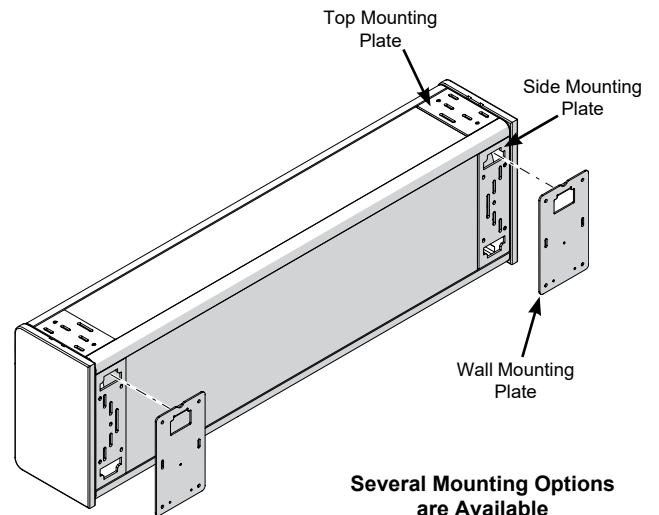
See the following page for acoustical test results.

Acoustical Test Results

Sound Absorption Coefficients



Average Sound Absorption Coefficient						
Banner Material Two Layers	Octave Band Center Frequencies (Hz)					
	125	250	500	1000	2000	4000
Wool Serge	0.19	0.66	0.91	1.03	1.04	1.01
Encore Velour	0.16	0.58	0.88	0.98	0.96	0.98



Several Mounting Options are Available



© 2019 Wenger Corporation
USA/2019-05/W



WENGER CORPORATION

Phone 800.4WENGER (493-6437) Worldwide +1.507.455.4100 | Parts & Service 800.887.7145 | Canada Office 800.268.0148 | wengercorp.com
555 Park Drive, PO Box 448 | Owatonna MN 55060-0448

JR CLANCY

Phone 800.836.1885 Worldwide +1.315.451.3440 | jrclancy.com | 7041 Interstate Island Road | Syracuse NY 13209-9713

GEARBOSS

Phone 800.493.6437 | email gearboss@wengercorp.com | gearboss.com | 555 Park Drive, PO Box 448 | Owatonna MN 55060-0448