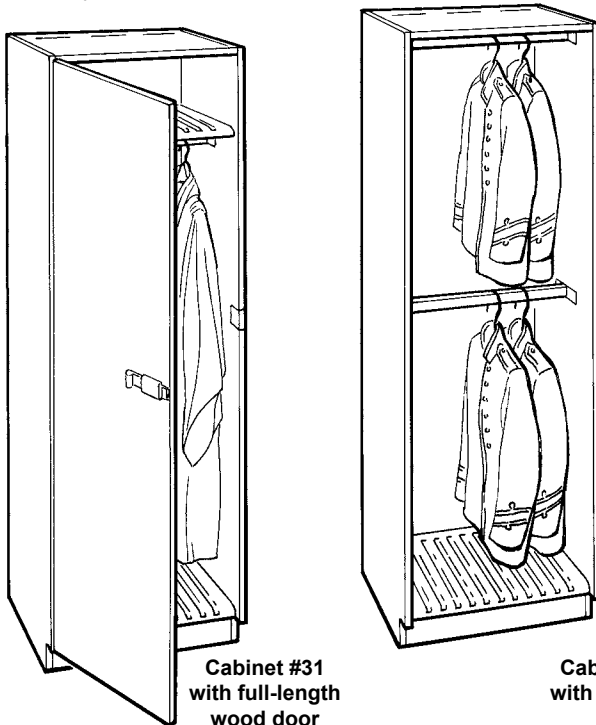


# UltraStor® Robe and Uniform Storage Cabinets



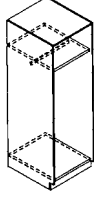
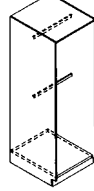
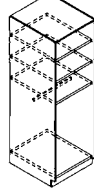
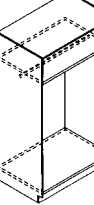
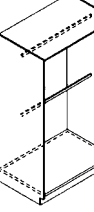
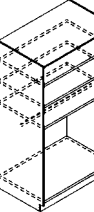
- Variety of styles tailored to different storage needs.
- Wall panels are 3/4" (19 mm) thick industrial grade composite wood with no added formaldehyde and polyester laminate finish in Wenger standard colors.
- Patented shelves are blow-molded polyethylene mounted with self-lock shelf supports.
- Grooved shelves allow air to circulate around items being stored.
- Edging is 1/8" (3 mm) radiused PVC.
- Heavy-gauge steel hanging rods hold up to 200 lbs (90 kg) evenly distributed.
- Door options for cabinets #31, #32 and #33:
  - Full-length wood door - same construction as wall panels.
  - Full-length grille door - welded steel grille construction with powder-coat paint finish.
  - No door.
- Door options for cabinets #34, #35 and #36:
  - Full-length double wood doors - same construction as wall panels.
  - Full-length double grille doors - welded steel grille construction with powder-coat paint finish.
  - No door.
- Cabinets have adjustable steel leveling glides for uneven floors.
- Ventilation holes in casework for circulation help dissipate moisture and aid air circulation.
- Doors include heavy-duty 5-knuckle institutional ANSI/BHMA A156.9, Grade 1 hinge, through - bolted to cabinet wall.
- Locking slide bolt with strike plate designed for padlocks with 3/4" (19 mm) maximum vertical shackle clearance.
- UL GREENGUARD Certified - Product certified for low chemical emissions: [ul.com/gg](http://ul.com/gg) - UL 2818.
- Environmental attributes and LEED compliance for this product can be found at [www.wengercorp.com/GREEN](http://www.wengercorp.com/GREEN) or by contacting your Wenger representative.
- Ten-year warranty.



**Cabinet #31**  
with full-length  
wood door

**Cabinet #32**  
with no doors

**NOTE:** Doors must be included at the time of ordering as they can not be installed later.

	<p><b>#31</b> 27-1/2"w x 29-1/4"d x 85-5/8"h (699 x 743 x 2175 mm) 239 lbs (108 kg) Stores 11 Uniforms or Robes Upper shelf for additional storage.</p> <p>COMPARTMENT SIZE: 25-1/2"w x 27-3/8"d x 11-1/4"h (648 x 695 x 286 mm) 25-1/2"w x 27-3/8"d x 65-3/8"h (648 x 695 x 1661 mm)</p>
	<p><b>#32</b> 27-1/2"w x 29-1/4"d x 85-5/8"h (699 x 743 x 2175 mm) 233 lbs (106 kg) Stores 22 Uniforms</p> <p>COMPARTMENT SIZE: 25-1/2"w x 27-3/8"d x 77-7/8" h (648 x 695 x 1978 mm)</p>
	<p><b>#33</b> 27-1/2"w x 29-1/4"d x 85-5/8"h (699 x 743 x 2175 mm) 252 lbs (114 kg) Stores 11 Uniforms and 12 hats</p> <p>COMPARTMENT SIZE: 25-1/2"w x 27-3/8"d x 11-1/4"h (648 x 695 x 286 mm) 25-1/2"w x 27-3/8"d x 39-5/8"d (648 x 695 x 1007 mm)</p>
	<p><b>#34</b> 48-1/2"w x 29-1/4"d x 85-5/8"h (1232 x 743 x 2175 mm) 454 lbs (206 kg) Stores 20 Robes or Uniforms Upper shelf for additional storage.</p> <p>COMPARTMENT SIZE: 46-1/2"w x 27-3/8"d x 10-1/4"h (1181 x 695 x 260 mm) 46-1/2"w x 27-3/8"d x 63-5/8"h (1181 x 695 x 1616 mm)</p>
	<p><b>#35</b> 48-1/2"w x 29-1/4"d x 85-5/8"h (1232 x 743 x 2175 mm) 445 lbs (202 kg) Stores 40 Uniforms</p> <p>COMPARTMENT SIZE: 46-1/2"w x 27-3/8"d x 76-1/2"h (1181 x 695 x 1943 mm)</p>
	<p><b>#36</b> 48-1/2"w x 29-1/4"d x 85-5/8"h (1232 x 743 x 2175 mm) 479 lbs (217 kg) Stores 20 Uniforms and 24 Hats</p> <p>COMPARTMENT SIZE: 46-1/2"w x 27-3/8"d x 10-1/4"h (1181 x 695 x 260 mm) 46-1/2"w x 27-3/8"d x 38-3/8"h (1181 x 695 x 975 mm)</p>



© 2018 Wenger Corporation  
USA/2018-09/W



WENGER CORPORATION

Phone 800.4WENGER (493-6437) Worldwide +1.507.455.4100 | Parts & Service 800.887.7145 | Canada Office 800.268.0148 | [wengercorp.com](http://wengercorp.com)  
555 Park Drive, PO Box 448 | Owatonna MN 55060-0448

JR CLANCY

Phone 800.836.1885 Worldwide +1.315.451.3440 | [jrclancy.com](http://jrclancy.com) | 7041 Interstate Island Road | Syracuse NY 13209-9713

GEARBOSS

Phone 800.493.6437 | email [gearboss@wengercorp.com](mailto:gearboss@wengercorp.com) | [gearboss.com](http://gearboss.com) | 555 Park Drive, PO Box 448 | Owatonna MN 55060-0448