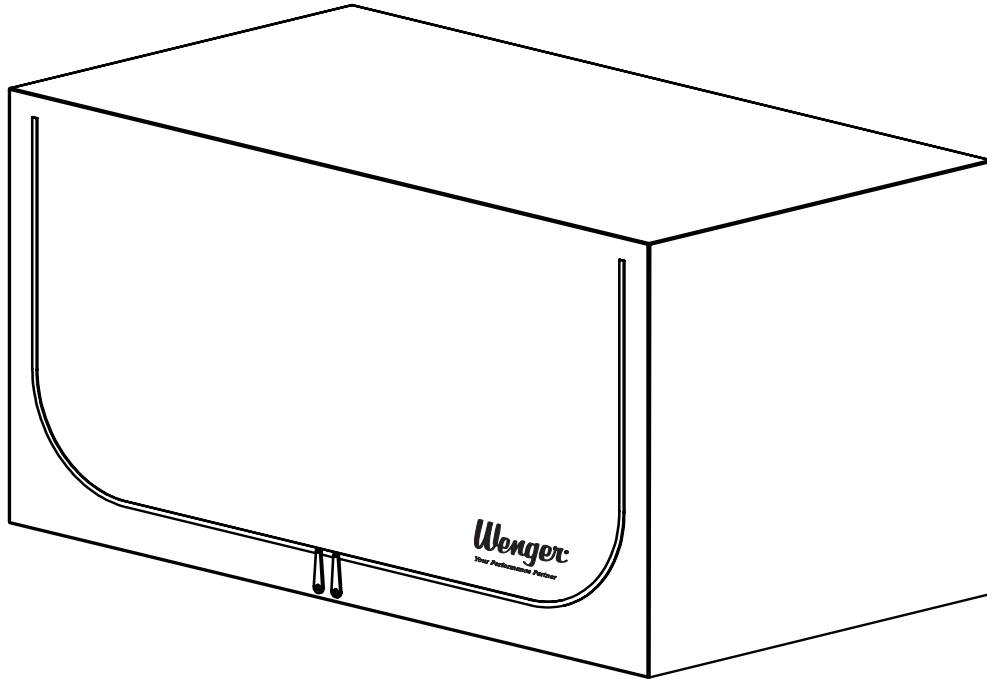




Your Performance Partner

Assembly Instructions Attic Storage System



CONTENTS

Safety Precautions	2
Warranty	2
Important User Information	3
General	3
Manufacturer	3
Intended Use	3
Required Tools	4
Parts and Fastener List	4
Assembly	5-6
Installation	7

Please read and understand these Assembly Instructions before working with or using the Attic.

If you need additional information about the Attic, contact Wenger Corporation using the information below.

SAFETY PRECAUTIONS

This manual contains cautions which are defined as follows.

- **CAUTION;** failure to follow the instruction may result in serious injury or damage to property.

Read all of these safety instructions before assembling the attic.

 CAUTION	 CAUTION	 CAUTION
<i>Make sure that anyone working on the Attic Storage System has read and understands this manual.</i>	<i>Failure to comply with Warnings and Cautions in this document can result in damage to property or serious injury.</i>	<i>Always observe and comply with the Warnings and Cautions posted on the system equipment.</i>

WARRANTY

The Attic Storage System is guaranteed free of defects in materials and workmanship for ten years on the frame and five years on the cover.

Our guarantee assures you of either a full refund or repair or replacement of the defective materials or workmanship without charge, at the discretion of our Customer Service Department. Just call a Customer Service Representative at 1-800-887-7145 and state the reason you are dissatisfied. If a product return is necessary, your representative will issue a return authorization. This is your sole remedy for breach of this warranty.

Should you have a question or problem with any Wenger product, don't hesitate to call, even if the product is past warranty. It's important to us that all our customers be satisfied.

This is the sole warranty made by Wenger. Wenger disclaims all other warranties, including the warranties of merchantability and fitness for a particular purpose, as well as all liability for incidental, consequential, special, and indirect damage. Wenger liability for direct damages shall be limited to the amount you paid for the product involved. Wenger reserves the right to make product changes without obligation to incorporate such changes into products previously sold.

Some states do not allow the exclusion or limitation of damages or warranties, so the above may not apply to you. This warranty gives you specific legal rights. You may also have other rights which vary from state to state.

IMPORTANT USER INFORMATION

GENERAL

Copyright © 2008 by Wenger Corporation

All rights reserved. No part of the contents of this manual may be reproduced, copied, or transmitted in any form or by any means including graphic, electronic, or mechanical methods or photocopying, recording, or information storage and retrieval systems without the written permission of the publisher, unless it is for the purchaser's personal use.

The information in this manual is subject to change without notice and does not represent a commitment on the part of Wenger Corporation. Wenger Corporation does not assume any responsibility for any errors that may appear in this manual.

In no event will Wenger Corporation be liable for technical or editorial omissions made herein, nor for direct, indirect, special, incidental, or consequential damages resulting from the use or defect of this manual.

The information in this document is not intended to cover all possible conditions and situations that might occur. The end user must exercise caution and common sense when assembling or installing Wenger Corporation products. If any questions or problems arise, call Wenger Corporation at 1-800-733-0393.

MANUFACTURER

The Attic Storage System is manufactured for:

Wenger Corporation
555 Park Drive
Owatonna, MN 55060
1-507-455-4100 • 1-800-733-0393
www.wengercorp.com

INTENDED USE

- This product is intended for indoor use in normal ambient temperature and humidity conditions - it must not be exposed to prolonged outside weather conditions.
- This product is intended to be assembled only as described in these instructions.

REQUIRED TOOLS

The following tools are required to assemble the Attic.

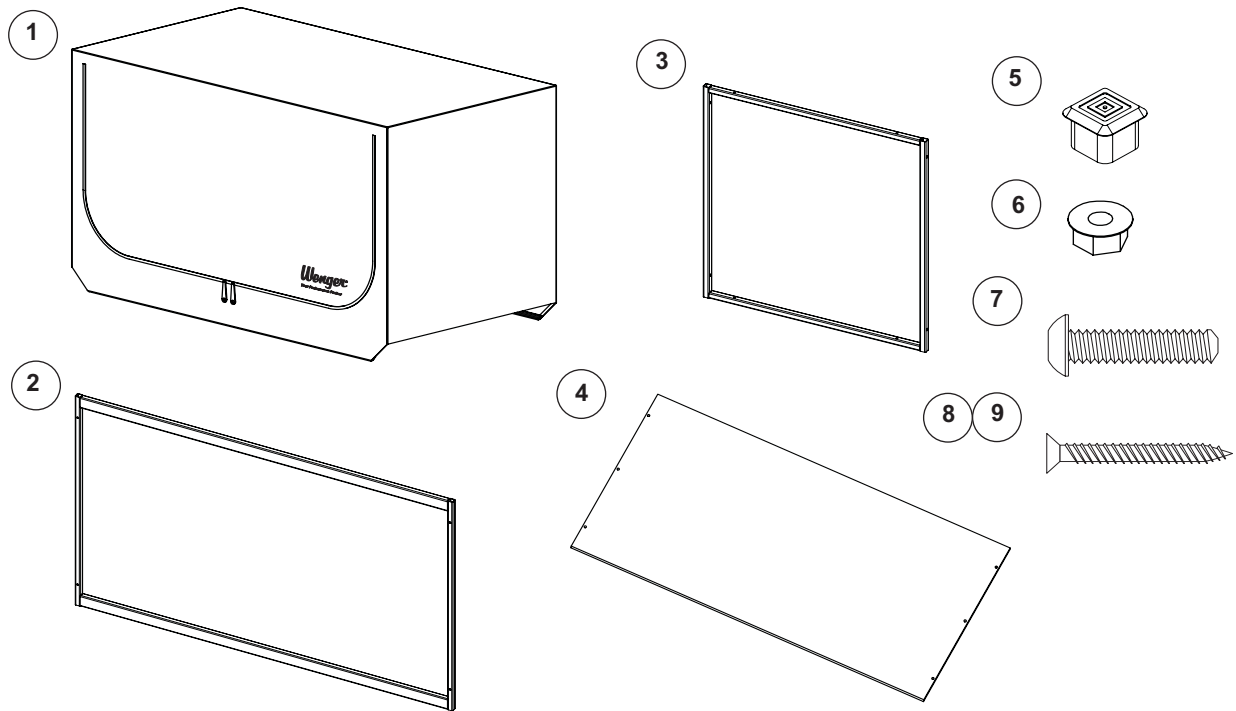
- Phillips #2
- 7/16" Open and Box Wrench
- Rubber Hammer

BEFORE ASSEMBLY

- Remove components from packaging carefully.
- Use corrugation as a cushion on which to assemble.
- Keep hardware together until needed for assembly.
- It is recommended that two people are used in the assembly process to ensure easy installation without damage to cover.

PARTS AND FASTENER LIST

1. Remove the Assembly and Owners manual.
2. Remove the two 1 x 4" boards and protective cardboard from each side of the crate assembly.
3. Cut and remove the plastic wrap that encloses the Attic Storage System Assembly.



Item	Qty	Description
1	1	Attic Storage System Cover
2	2	Front Frame
3	2	Side Frame
4	1	Bottom
5	4	Plastic Square Plug

Item	Qty	Description
6	8	Flange Lock Nut
7	8	Machine Screw, #10-24 x 2"
8	4	Wood Screw #8 x 2 1/2"
9	2	Wood Screw #8 x 1 1/4"

ASSEMBLY

To begin the assembly of the Attic:

1. Hold a front frame (item 2) weldment with the 3/4" x 1 1/2" tubing horizontal. Some assistance may be required.
2. Position a side frame (item 3) behind the front frame (item 2). (*figure A*)

Note: The offset holes allow the side frame to be flush with the bottom of the front frame and allow a height difference between the tops of the two frames. This gap is where the floor fits when the unit is turned over.

3. Insert the 2" long machine screw (item 7) through the front frame and then through the side frame. Screw heads on the outside of the front frame. Assemble the nuts (item 6) snugly with the knurl locking feature toward the tube. (*figure A*)
4. Position the other front frame (item 2) to the back of the side frame and repeat step 3. (*figure B*)

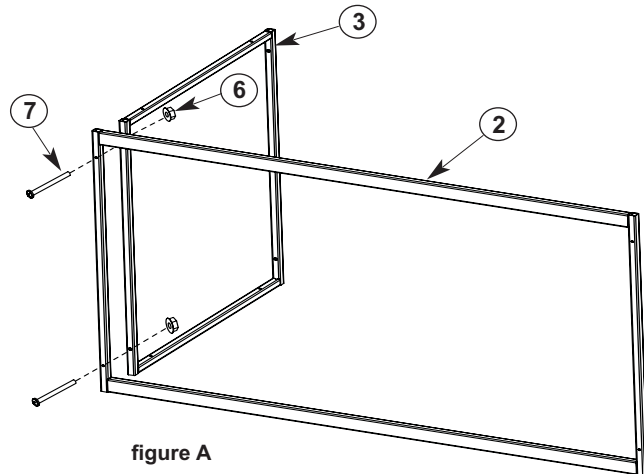


figure A

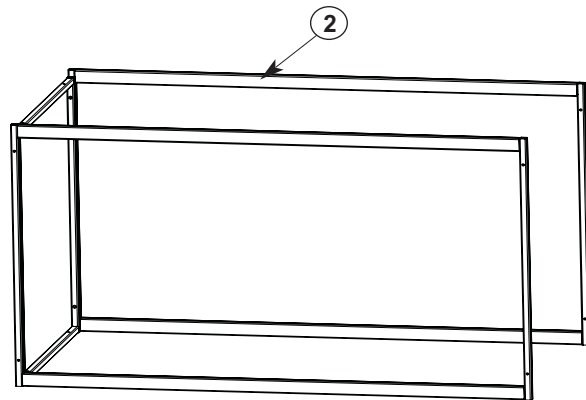


figure B

5. Position the other side frame (item 3) between the two front frames. Install the hardware as described in step 3. (*figure C*)
6. Once the front and back frames are uniform with the side frames flush with the ends of the front frames and all frames resting on the corrugation or floor, hold the corners square and tighten all fasteners.



figure C

ASSEMBLY (CONTINUED)

- Turn the frame assembly over, there should be a 3/4" gap under the side frames for clearance for the floor material.
- Install the four plastic square plugs (item 5) into the outermost top corners of the front frame tubing weldment. The plugs will protect the Attic Storage System cover when it is being installed. Inspect for burrs or other sharp edges that may damage the cover and remove them with a file if necessary. (figure D)

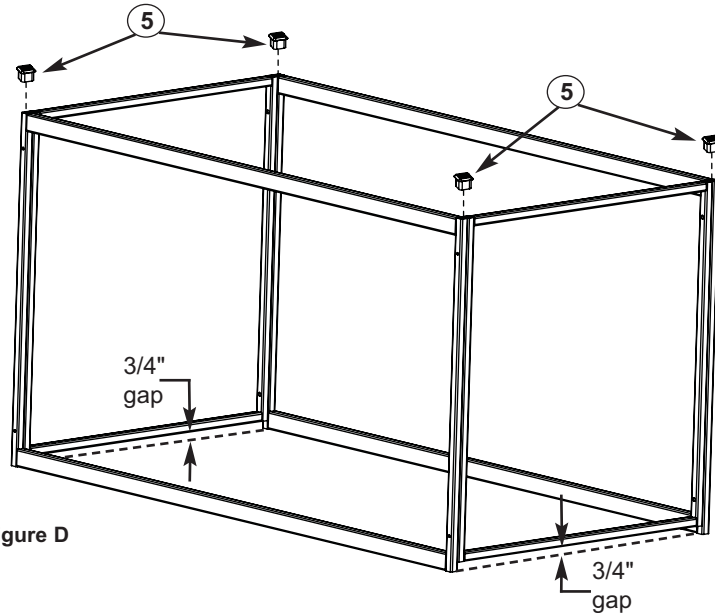


figure D

- With two people, carefully slide the cover, with the zippers closed, over the frame so that the logo is toward the front and the seams are evenly and neatly arranged along the edges of the interior frame. Avoid cutting or tearing the fabric by pulling the cover down evenly and slowly along all four corners at the same time. Stop if there is a snag or excessive tightness until the material can be moved freely into position. Two people are needed to install for optimal fit and appearance. (figure E)

Note: During cold weather, allow cover to reach room temperature prior to placing over the frame assembly.

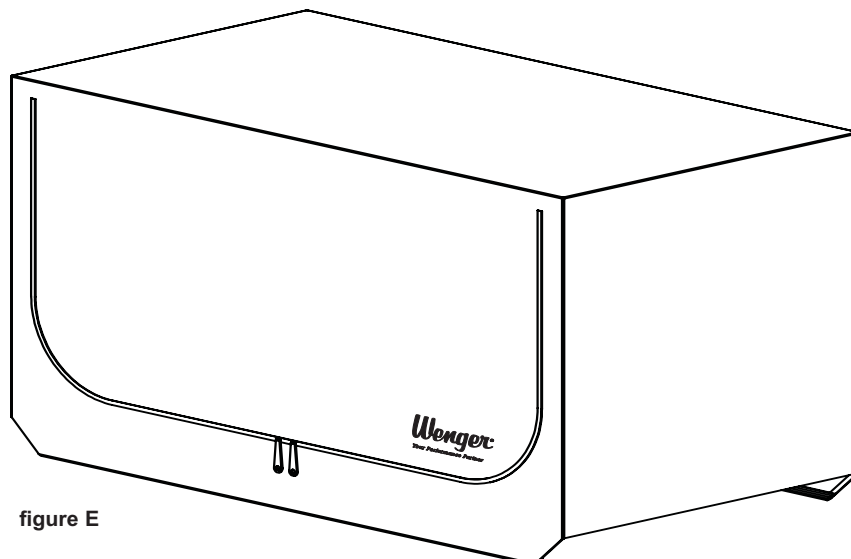


figure E

INSTALLATION

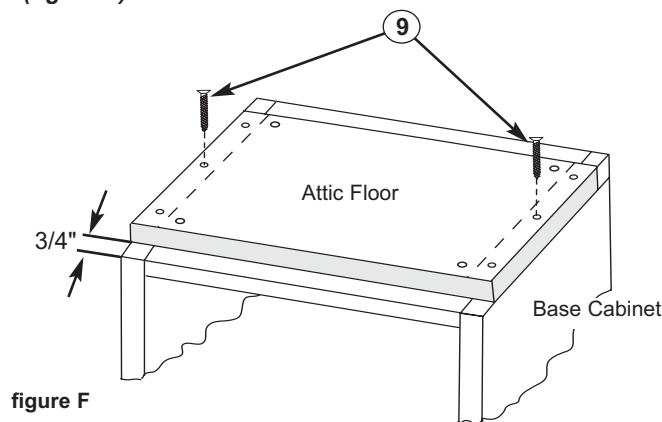
⚠ CAUTION

Check all fasteners before moving or raising the unit.

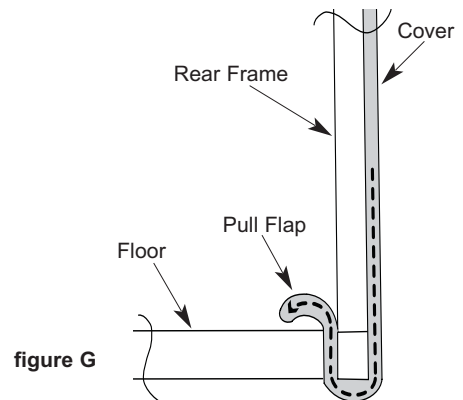
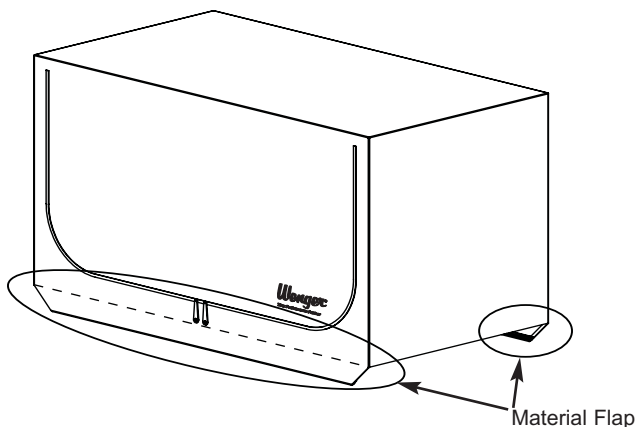
⚠ CAUTION

Keep hands and fingers free of being pinched.

10. Two people and step ladders are required to lift the floor (item 4) into position on top of the cabinet(s). Measure first to be certain that the width and depth are correct and that the height (30") of the Attic Storage System Storage System will not be obstructed.
11. Position the floor (item 4) 3/4" back from the front edge of the base cabinet. The holes on each end of the floor should be aligned with the center of the cabinet(s) end panels.
12. Once the floor is aligned into position insert a 1 1/4" wood screw (item 9) into the center counter-bored hole on each side of the floor. Drive the screw into the end panel of the cabinet to secure the floor into position. (figure F)



13. Two or more people and step ladders are required to lift the frame and cover assembly up over the floor and to set it down securely on top of the cabinet(s). This will be easier with the zippers all the way open. Grasp the frame assembly securely and avoid getting fingers pinched between the frame assembly and the sharp edges of the floor.
14. Be certain that the frame assembly is centered on the floor. With assistance, lift the back frame up enough to bring the back material flap underneath the frame and up between the frame and the floor. (figure G)
15. Repeat for the front flap.



INSTALLATION (CONTINUED)

16. Once the front and rear flaps are pulled in place, insert wood screws through the clearance holes in the side frames and the floor and then into the center of the cabinet(s) side panels. Do not let the screw wander to the side or at an angle as damage to the cabinet(s) may result. Do not fully tighten the screws against the frame at this time, keeping about 1/8" clearance between the screw head and the tubing.
17. Pull the cover down to best fit position, pull the rear flap up to tighten the rear fabric panel. Pull the front flap up to approximately the same position as the rear flap and carefully close the zippers to check that the front flap is lightly tensioning the front cover to keep it straight. Repeat as necessary.
18. Open the zippers and tighten the side screws to hold the Attic Storage System assembly in position on top of the cabinet.
19. Note the information on the white tag on the inside, upper rear seam of the cover and be certain that it is legible and not obstructed by items stored in the Attic Storage System during use.
20. The zippers may be locked by passing a small padlock through the holes in the zipper pulls.
21. Do not place any items on top of the Attic Storage System cover or frame.
22. Do not allow items stored inside the Attic Storage System to rest against the fabric cover.
23. The fabric cover is not fire rated.
24. Do not exceed a load of 40 lbs per foot of width, evenly distributed, on the floor of the attic.

Attic Width	Max. Weight Capacity
27" (69 cm)	90 lbs (41 kg)
42 1/2" (108 cm)	142 lbs (64 kg)
48" (122 cm)	160 lbs (73 kg)
54 1/2" (139 cm)	182 lbs (82 kg)
60" (152 cm)	200 lbs (91 kg)

25. Unstable or heavy items should be placed in the rear corners to allow more stability and lighter items to be near the front of the Attic Storage System when the zippers are opened and closed.