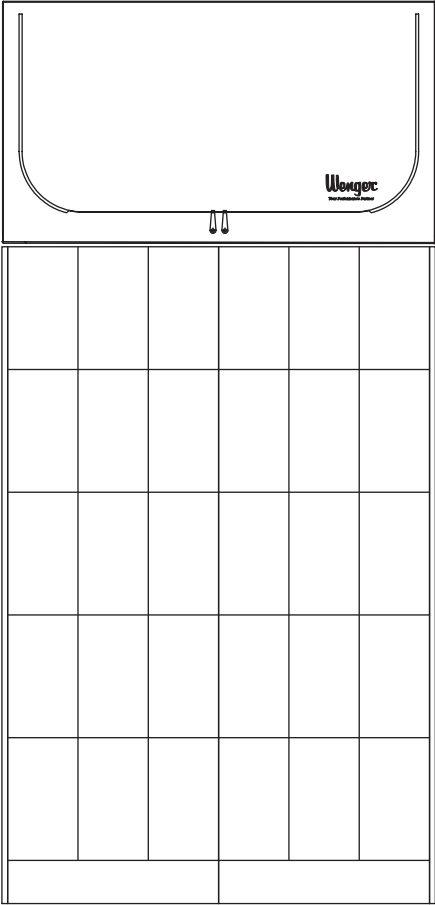




Your Performance Partner

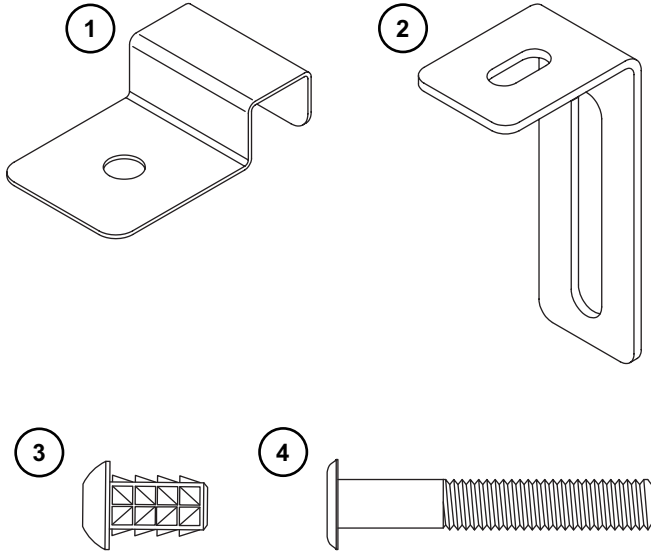
Seismic Installation Attic Storage System



REQUIRED TOOLS

- Power Drill with 3/8" or 9.5 mm Drill Bit
- 5/32" Allen Wrench
- Rubber or Plastic Mallet

PARTS AND FASTENER LIST

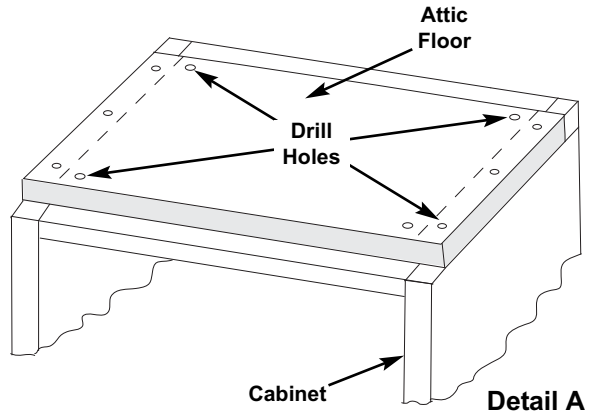


Item	Qty	Description
1	4	Attic Frame Bracket
2	2	Attic/Cabinet Bracket
3	6	Screw Insert
4	6	Machine Screw, 1/4-20 x 1-3/8"

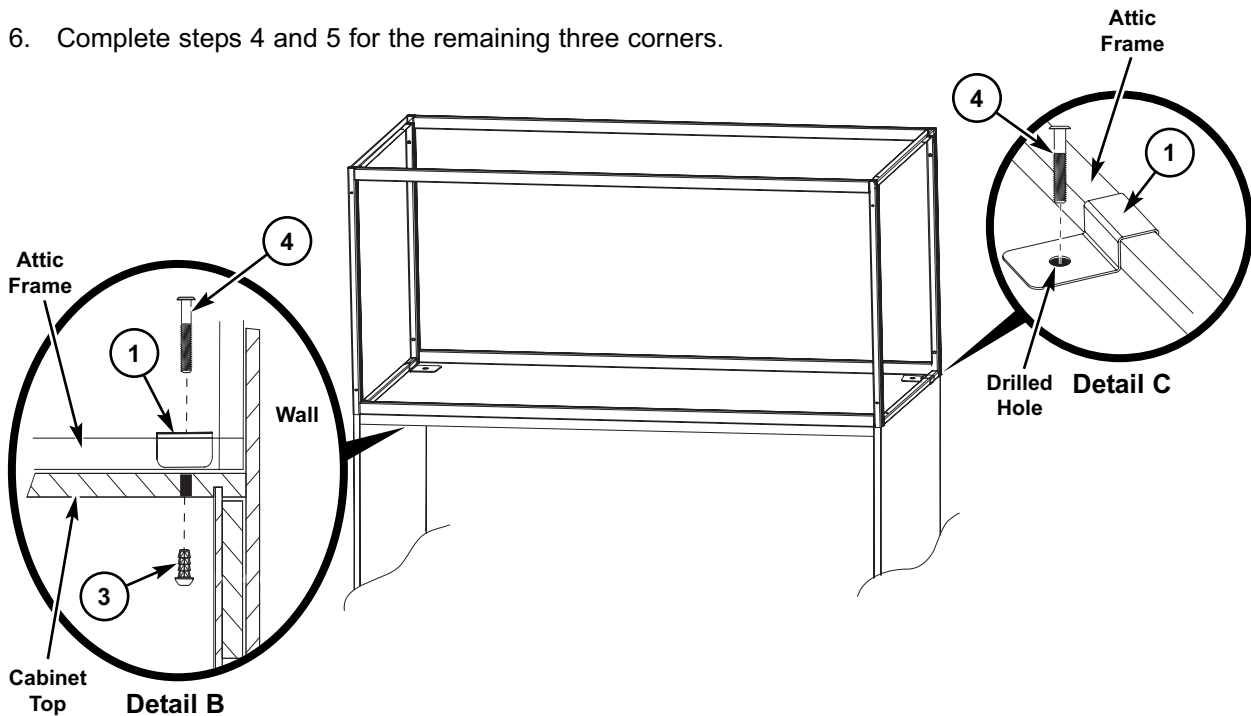
INSTALLATION

1. Install the Attic Storage System as stated in the original Assembly Instructions.
2. With the Attic securely in place, drill a hole using a 3/8" or 9.5 mm bit through the remaining four clearance holes in floor of the Attic and completely through the top of the cabinet underneath. There should be one clearance hole in each corner of the Attic floor. **(Detail A)**

Note: Detail A is shown without the Attic Frame and Cover to allow for location clarity only. When completing these steps the Attic Frame and Cover will be assembled.



3. Use a plastic or rubber mallet to pound the four Screw Inserts (#3) from the inside of the cabinet into the bottom surface through the newly drilled hole completed in Step 2. **(Detail B)**
4. Line up the hole on the Attic Frame Bracket (#1) with the clearance holes located on the floor of the Attic and fit the Attic Frame Bracket over the steel tube frame of the Attic. **(Detail C)**
5. Securely fasten the Attic Frame Bracket (#1) using the 1/4-20 x 1-3/8" Machine Screw (#4) making sure it is screwing into the Screw Insert below.
6. Complete steps 4 and 5 for the remaining three corners.



INSTALLATION (CONTINUED)

Anchoring the Attic and Cabinet to the Wall:

1. The location of the Attic/Cabinet Bracket (#2) is determined as follows:
 - a. Using the Attic/Cabinet Bracket (#2) as a template, place it on the floor of the Attic with the short side down against the Attic floor and the longer side against the rear Attic Frame and about 4-6" in from the side of the cabinet.
 - b. Mark the location of the hole against the Attic floor and drill a hole using a 3/8" or 9.5 mm bit through the Attic floor into the top of the cabinet.

Note: If the cabinets are existing:

The location of the Attic/Cabinet Bracket (#2) will be determined by the pre-existing location of the Wall Anchor through the back of the cabinet. The Attic/Cabinet Bracket (#2) cannot interfere with the existing anchor location. The location of the Attic/Cabinet Bracket (#2) should be just to the right or left of the existing anchor location.

5. Using a rubber or plastic mallet, pound two Screw Inserts (#3) into the newly drilled holes. **(Detail D)**
6. Position the Attic/Cabinet Bracket (#2) on the inside of the cabinet, lining up the slot on the short side leg with the location of the drilled hole.
7. Attach a Attic/Cabinet Bracket by inserting 1/4-20 x 1-3/8" Machine Screw (#4) from the underside of the Top Panel and tightening into the Screw Insert (#3) until secure.
8. Anchor the cabinet to wall using the slot located on the longer side of the Attic/Cabinet Bracket (#2). Anchor type to be determined by type of wall: **(Detail E)**
 - a. **C.M.U. Wall Bracing** – Install an anchor (X002158) with a washer (X000410) going through the Attic/Cabinet Bracket (#2), with the longer side of the bracket against the back of the cabinet and the shorter side against the top of the cabinet.
 - b. **Wood (2" X 6") Bracing** – Install an anchor (X002159) with a washer (X003127) going through the Attic/Cabinet Bracket (#2), with the longer side of the bracket against the back of the cabinet and the shorter side against the top of the cabinet.
 - c. **Metal Stud Bracing** – Install an anchor (X002456) with a washer (X003127) going through the Attic/Cabinet Bracket (#2), with the longer side of the bracket against the back of the cabinet and the shorter side against the top of the cabinet.

