



Tascam CC-222 CD/RW Recorder/Cassette Deck — cables are supplied but not shown

CONTENTS

Warranty	2
Manufacturer's Owner Manuals	2
Installation	2
Before Starting Installation	2
Install the CD-RW Recorder Cassette Deck	2
Series 200 and 300 CD-RW Playback and Cassette Recording Connections	3
Series 200 and 300 CD-RW Record and Cassette Playback Connections	4
Change Record Function	4
Model 402 CD-RW Playback and Cassette Recording Connections	5
Change Record Function	5
Model 402 CD-RW Record and Cassette Playback Connections	6
Change Record Function	7
Model 502 CD-RW Playback and Cassette Recording Connections	7
Model 502 CD-RW Record and Cassette Playback Connections	8
Setup	9
Power Up the Audio System	9
Cassette Playback	9
Cassette Recording	9
CD/RW Playback	10
CD/RW Recording	10
Troubleshooting	10
Replacement Parts	10

Thank you for purchasing a Wenger Audio System CD/RW Upgrade Kit. This document serves as a quick start guide. The instructions and illustrations in this document apply to the Audio System CD Upgrade for Series 200, Series 300, Series 400, and Series 500 Audio Systems. Please refer to each manufacturer's owner's manual for additional information. Please contact Wenger Corporation Customer Service with any questions at 1-800-887-7145.

WARRANTY

Wenger Corporation will act as a contact and provide support for the Audio System CD/RW Upgrade Kit. Call Wenger Corporation Customer Service with any questions or problems at 1-800-887-7145. While Wenger Corporation will coordinate customer service with the component manufacturer, the manufacturer of the Audio System CD/RW Upgrade Kit component is responsible for that component warranty. There is a manufacturer's warranty card accompanying this manual. It is important to fill out this warranty card and register it with the manufacturer within 30 days after receipt of the system.

The warranty for the component is as follows:

<u>Component</u>	<u>Warranty</u>
Tascam CC-222 CD/RW Recorder/Cassette Deck	1 Year

MANUFACTURER'S OWNER MANUALS

The following manufacturer's owner manual is contained in the shipping container.

- TASCAM CC-222 CD Recorder/Cassette Deck Owner's Manual

INSTALLATION

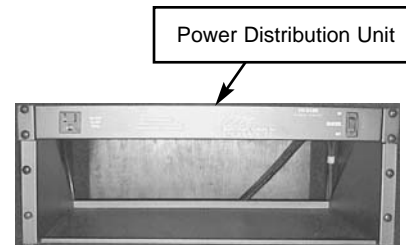
BEFORE STARTING INSTALLATION

1. Insert this manual and the manufacturer's Owner's Manual (included in the shipping carton) into the Audio System Binder that came with the Audio System.
2. Please read and understand this entire document.
3. Refer to the illustrations on the following pages. If you need additional information about your Audio System CD/RW Upgrade Kit, write, telephone, or email Wenger Corporation.
4. Refer to the Manufacturer's documentation for addition operation information.
5. Fill out the Tascam CC-222 CD/RW Recorder/Cassette Deck warranty card with the appropriate serial number and mail to the Manufacturer. This warranty card must be registered with the manufacturer within 30 days of receipt of the CD/RW Upgrade Kit.
6. Before starting the installation, disconnect power from the Audio System Power Distribution Unit (remove the power cord from the 120VAC power source).

INSTALL THE CD-RW RECORDER CASSETTE DECK

Refer to the Connection Diagrams on pages 3 to 5 showing the finished position of the CD/RW Recorder/Cassette Deck deck and how it connects to the Audio System.

1. Remove the Screws that attach the Rack Shelf to the Audio System Rack. Set aside the Rack Shelf and the Screws.
2. Insert the CD/RW Recorder/Cassette Deck into the Rack in place of the Rack Shelf (just below the Power Distribution Unit).
3. Attach the CD/RW Recorder/Cassette Deck to the Rack with four Screws (10-32x3/4") set aside in step 1.



Typical Rack Shelf

INSTALLATION CONTINUED

SERIES 200 AND 300 CD-RW PLAYBACK AND CASSETTE RECORDING CONNECTIONS

To connect the CD-RW/Cassette for **CD-RW playback and Cassette recording**, do the following. Refer to the illustration at the right.

Note: **LINE OUTPUTS 1** connect to the CD-RW Recorder.

LINE OUTPUTS 2 connect to the Cassette Deck and the CD-RW Recorder. If both are playing, the Cassette Deck has priority and the CD-RW Recorder is not heard.

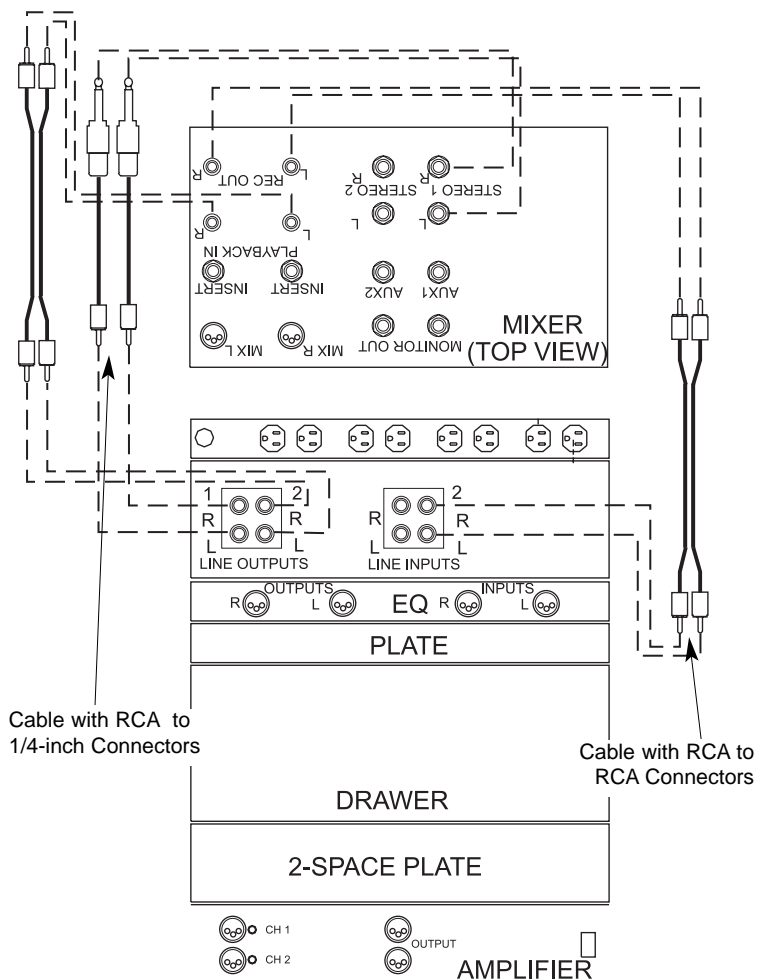
Note: **LINE INPUTS 1** connect to the CD-RW Recorder.

LINE INPUTS 2 connect to the Cassette Deck

1. Using a RCA/Phono to 1/4-inch Internal Patch Cable, connect the CD-RW RCA Connector **LINEOUT 1 R** and **LINEOUT 1 L** to the Mixer 1/4-inch Connector **STEREO 1 R** and **STEREO 1 L**.
2. Using a RCA/Phono Internal Patch Cable, connect the Mixer RCA Connector **REC OUT R** and **REC OUT L** to Cassette RCA Connector **LINE INPUTS 2 R** and **LINE INPUTS 2 L**.
3. Using a RCA/Phono Internal Patch Cable, connect the Cassette RCA Connector **LINEOUT 2 R** and **LINEOUT 2 L** to Mixer RCA Connector **PLAYBACK IN R** and **PLAYBACK IN L**.
4. Connect the Power Cord from the CD-RW Recorder/Cassette Deck to an unused receptacle on the Power Distribution Unit.

Model 202/302 Wiring Diagram for Cassette Recording

Function		
Device	Playback	Record
CD/RW	♫	
Cassette	♫	♫



Note: *Line Outputs 1 connect to the Disc Recorder. Line Outputs 2 connect to the Cassette Deck and the Disc Recorder. If both are playing, the Cassette Deck has priority and the Disc Recorder is not heard.*

Note: *Line Inputs 1 connect to the Disc Recorder. Line Inputs 2 connect to the Cassette Deck*

INSTALLATION CONTINUED

SERIES 200 AND 300 CD-RW RECORD AND CASSETTE PLAYBACK CONNECTIONS

To connect the CD-RW/Cassette for **CD-RW recording and Cassette playback**, do the following. Refer to the illustration at the right.

Note: **LINE OUTPUTS 1** connect to the CD-RW Recorder.

LINE OUTPUTS 2 connect to the Cassette Deck and the CD-RW Recorder. If both are playing, the Cassette Deck has priority and the CD-RW Recorder is not heard.

Note: **LINE INPUTS 1** connect to the CD-RW Recorder.

LINE INPUTS 2 connect to the Cassette Deck

Make sure that the Power Distribution Unit **ON-OFF** switch is off before connecting any cables. Refer to the wiring diagram on page 6.

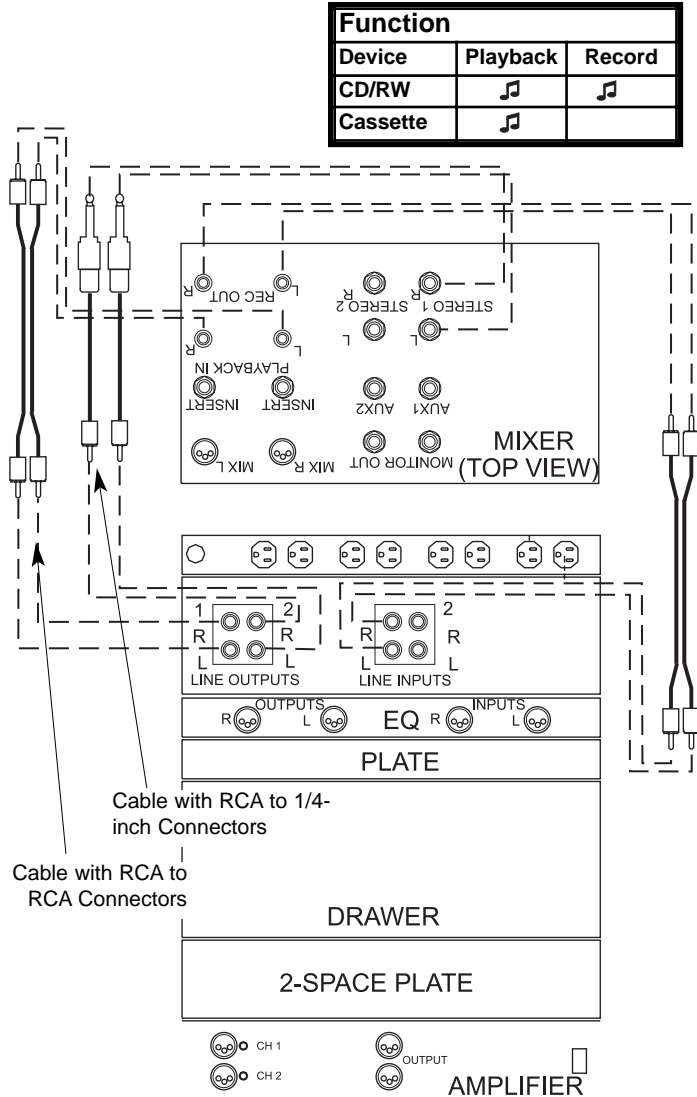
- Using a RCA/Phono Internal Patch Cable, connect the CD-RW RCA Connector **LINEOUT 1 R** and **LINEOUT 1 L** to Mixer RCA Connector **PLAYBACK IN R** and **PLAYBACK IN L**.
- Using a RCA/Phono Internal Patch Cable, connect the Mixer RCA Connector **REC OUT R** and **REC OUT L** to Cassette RCA Connector **LINE INPUTS 1 R** and **LINE INPUTS 1 L**.
- Using a RCA/Phono to 1/4-inch Internal Patch Cable, connect the Cassette RCA Connector **LINEOUT 2 R** and **LINEOUT 2 L** to Mixer RCA Connector 1/4-inch Connector **STEREO 1 R** and **STEREO 1 L**.
- Connect the Power Cord from the CD-RW Recorder/Cassette Deck to an unused receptacle on the Power Distribution Unit.

CHANGE RECORD FUNCTION

To change from CD-RW recording to Cassette recording (or back again), reverse the cables on the back of the CD-RW/Cassette recorder as follows.

- Swap the cables in **LINEOUT 1 R** and **LINEOUT 1 L** and **LINEOUT 2 R** and **LINEOUT 2 L** (the cables in **LINEOUT 1 R** and **LINEOUT 1 L** are now in **LINEOUT 2 R** and **LINEOUT 2 L**). Likewise, the cables in **LINEOUT 2 R** and **LINEOUT 2 L** are now in **LINEOUT 1 R** and **LINEOUT 1 L**.
- Swap the input cables. Move the cables from **LINE INPUTS 1 R** and **LINE INPUTS 1 L** to **LINE INPUTS 2 R** and **LINE INPUTS 2 L** or vice-versa.

Model 202/302 Wiring Diagram for CD-RW Recording



Note: **Line Outputs 1** connect to the CD/RW Recorder. **Line Outputs 2** connect to the Cassette Deck and the CD/RW Recorder. If both are playing, the Cassette Deck has priority and the CD/RW Recorder is not heard.

Note: **Line Inputs 1** connect to the CD/RW Recorder. **Line Inputs 2** connect to the Cassette Deck

INSTALLATION CONTINUED

MODEL 402 CD-RW PLAYBACK AND CASSETTE RECORDING CONNECTIONS

To connect the CD-RW/Cassette for **CD-RW playback and Cassette recording**, do the following. Refer to the illustration at the right.

Model 402 Wiring Diagram for Cassette Recording

Note: **LINE OUTPUTS 1** connect to the CD-RW Recorder.

LINE OUTPUTS 2 connect to the Cassette Deck and the CD-RW Recorder. If both are playing, the Cassette Deck has priority and the CD-RW Recorder is not heard.

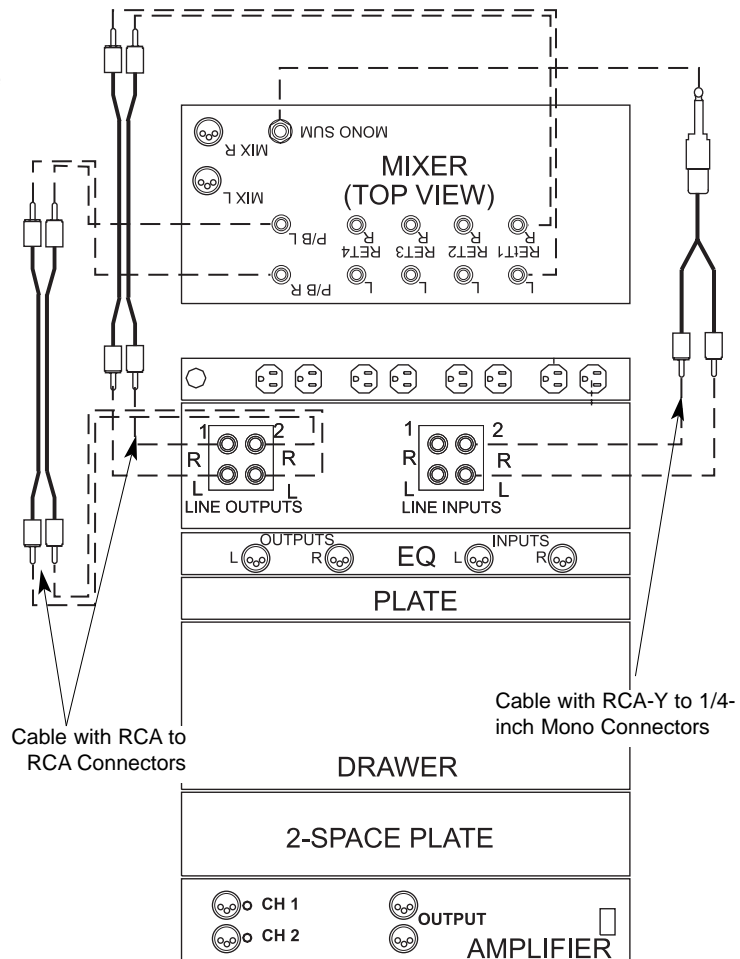
Note: **LINE INPUTS 1** connect to the CD-RW Recorder.

LINE INPUTS 2 connect to the Cassette Deck

Make sure that the Power Distribution Unit **ON-OFF** switch is off before connecting any cables. Refer to the wiring diagram on page 5.

1. Using a RCA/Phono Internal Patch Cable, connect the CD-RW RCA Connector **LINEOUT 1 R** and **LINEOUT 1 L** to the Mixer RCA Connector **RET 1 R** and **RET 1 L**.
2. Using a RCA/Phono to 1/4-inch Mono-Y Internal Patch Cable, connect the Mixer 1/4-inch Connector **MONO SUM** to Cassette RCA Connector **LINE INPUTS 2 R** and **LINE INPUTS 2 L**.
3. Using a RCA/Phono Internal Patch Cable, connect the Cassette RCA Connector **LINEOUT 2 R** and **LINEOUT 2 L** to Mixer RCA Connector **P/B R** and **P/B L**.
4. Connect the Power Cord from the CD-RW Recorder/Cassette Deck to an unused receptacle on the Power Distribution Unit.

Function		
Device	Playback	Record
CD/RW	🎵	
Cassette	🎵	🎵



Note: **Line Outputs 1** connect to the CD/RW Recorder. **Line Outputs 2** connect to the Cassette Deck and the CD/RW Recorder. If both are playing, the Cassette Deck has priority and the CD/RW Recorder is not heard.

Note: **Line Inputs 1** connect to the CD/RW Recorder. **Line Inputs 2** connect to the Cassette Deck

CHANGE RECORD FUNCTION

To change from CD-RW recording to Cassette recording (or back again), reverse the cables on the back of the CD-RW/Cassette recorder as follows.

1. Swap the cables in **LINEOUT 1 R** and **LINEOUT 1 L** and **LINEOUT 2 R** and **LINEOUT 2 L** (the cables in **LINEOUT 1 R** and **LINEOUT 1 L** are now in **LINEOUT 2 R** and **LINEOUT 2 L**). Likewise, the cables in **LINEOUT 2 R** and **LINEOUT 2 L** are now in **LINEOUT 1 R** and **LINEOUT 1 L**.
2. Swap the input cables. Move the cables from **LINE INPUTS 1 R** and **LINE INPUTS 1 L** to **LINE INPUTS 2 R** and **LINE INPUTS 2 L** or vice-versa.

INSTALLATION CONTINUED

MODEL 402 CD-RW RECORD AND CASSETTE PLAYBACK CONNECTIONS

To connect the CD-RW/Cassette for **CD-RW recording and Cassette playback**, do the following. Refer to the illustration at the right.

Note: **LINE OUTPUTS 1** connect to the CD-RW Recorder.

LINE OUTPUTS 2 connect to the Cassette Deck and the CD-RW Recorder. If both are playing, the Cassette Deck has priority and the CD-RW Recorder is not heard.

Note: **LINE INPUTS 1** connect to the CD-RW Recorder.

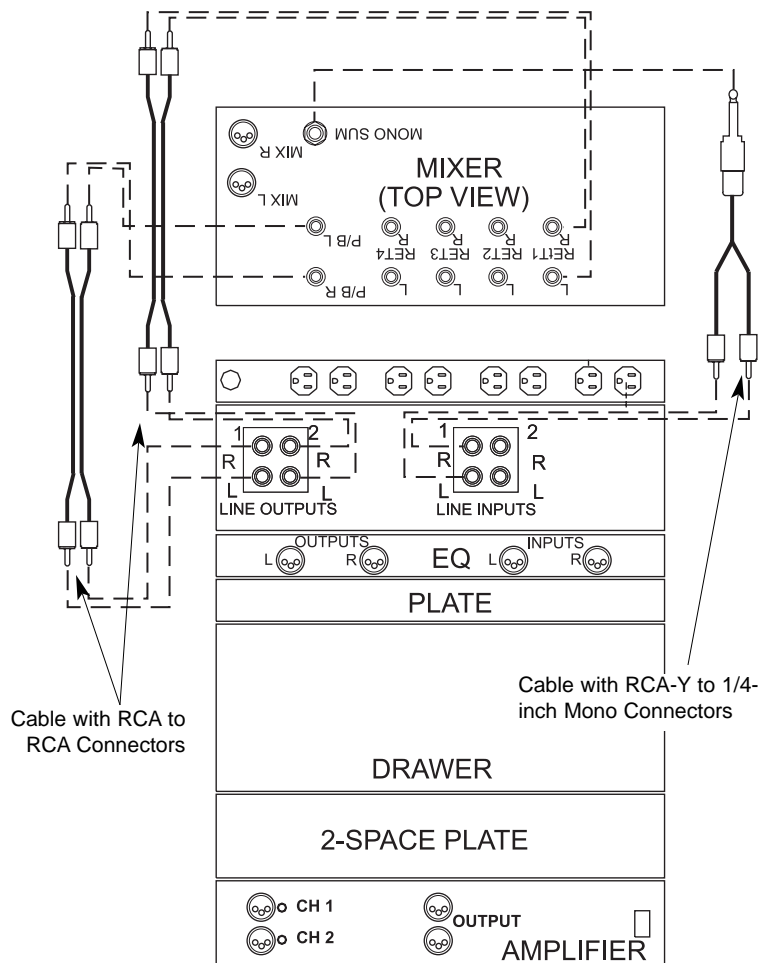
LINE INPUTS 2 connect to the Cassette Deck

Make sure that the Power Distribution Unit **ON-OFF** switch is off before connecting any cables. Refer to the wiring diagram on page 6.

1. Using a RCA/Phono Internal Patch Cable, connect the CD-RW RCA Connector **LINEOUT 1 R** and **LINEOUT 1 L** to the Mixer RCA Connector **P/B R** and **P/B L**.
2. Using a RCA/Phono to 1/4-inch Mono-Y Internal Patch Cable, connect the Mixer 1/4-inch Connector **MONO SUM** to Cassette RCA Connector **LINE INPUTS 1 R** and **LINE INPUTS 1 L**.
3. Using a RCA/Phono Internal Patch Cable, connect the Cassette RCA Connector **LINEOUT 2 R** and **LINEOUT 2 L** to Mixer RCA Connector **RET 1 R** and **RET 1 L**.
4. Connect the Power Cord from the CD-RW Recorder/Cassette Deck to an unused receptacle on the Power Distribution Unit.

Model 402 Wiring Diagram for Cassette Playback

Function		
Device	Playback	Record
CD/RW	🎵	🎵
Cassette	🎵	



Note: **Line Outputs 1** connect to the CD/RW Recorder. **Line Outputs 2** connect to the Cassette Deck and the CD/RW Recorder. If both are playing, the Cassette Deck has priority and the CD/RW Recorder is not heard.

Note: **Line Inputs 1** connect to the CD/RW Recorder. **Line Inputs 2** connect to the Cassette Deck

INSTALLATION CONTINUED

MODEL 502 CD-RW PLAYBACK AND CASSETTE RECORDING CONNECTIONS

To connect the CD-RW/Cassette for **CD-RW playback and Cassette recording**, do the following. Refer to the illustration at the right.

Note: **LINE OUTPUTS 1** connect to the CD-RW Recorder.

LINE OUTPUTS 2 connect to the Cassette Deck and the CD-RW Recorder. If both are playing, the Cassette Deck has priority and the CD-RW Recorder is not heard.

Note: **LINE INPUTS 1** connect to the CD-RW Recorder.

LINE INPUTS 2 connect to the Cassette Deck

Make sure that the Power Distribution Unit **ON-OFF** switch is off before connecting any cables. Refer to the wiring diagram on page 5.

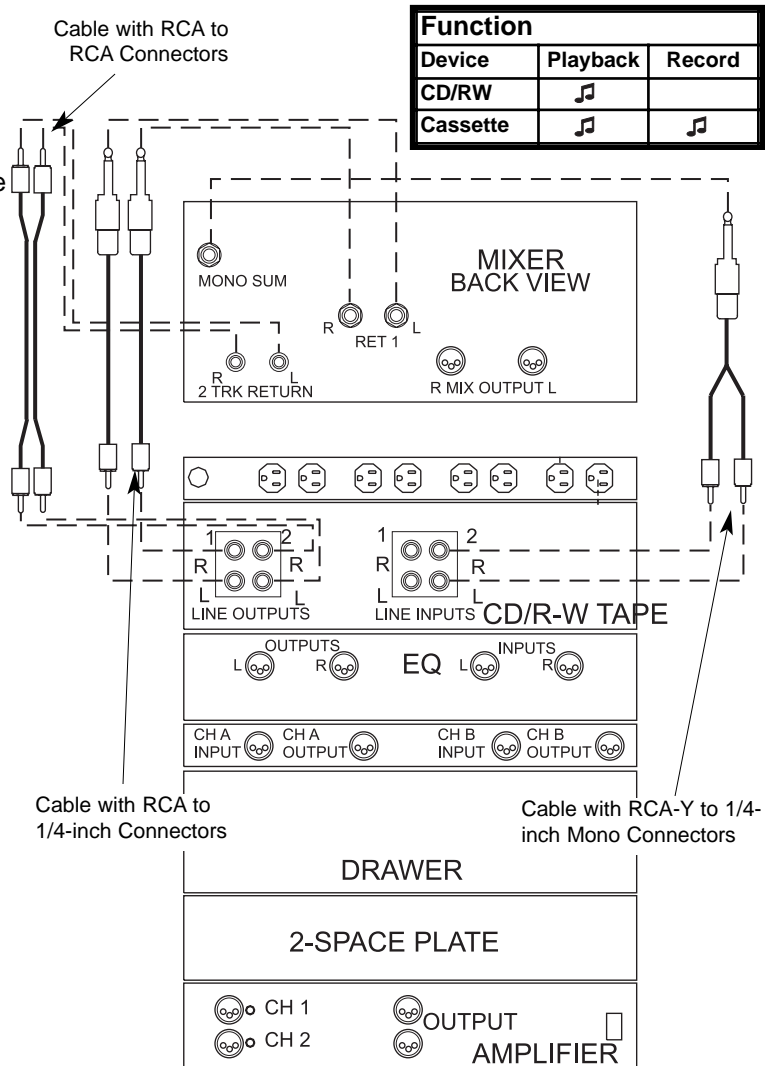
1. Using a RCA/Phono Internal Patch Cable, connect the CD-RW RCA Connector **LINEOUT 1 R** and **LINEOUT 1 L** to the Mixer RCA Connector **RET 1 R** and **RET 1 L**.
2. Using a RCA/Phono to 1/4-inch Mono-Y Internal Patch Cable, connect the Mixer 1/4-inch Connector **MONO SUM** to Cassette RCA Connector **LINE INPUTS 2 R** and **LINE INPUTS 2 L**.
3. Using a RCA/Phono Internal Patch Cable, connect the Cassette RCA Connector **LINEOUT 2 R** and **LINEOUT 2 L** to Mixer RCA Connector **2 TRACK RET R** and **2 TRACK RET L**.
4. Connect the Power Cord from the CD-RW Recorder/Cassette Deck to an unused receptacle on the Power Distribution Unit.

CHANGE RECORD FUNCTION

To change from CD-RW recording to Cassette recording (or back again), reverse the cables on the back of the CD-RW/Cassette recorder as follows.

1. Swap the cables in **LINEOUT 1 R** and **LINEOUT 1 L** and **LINEOUT 2 R** and **LINEOUT 2 L** (the cables in **LINEOUT 1 R** and **LINEOUT 1 L** are now in **LINEOUT 2 R** and **LINEOUT 2 L**). Likewise, the cables in **LINEOUT 2 R** and **LINEOUT 2 L** are now in **LINEOUT 1 R** and **LINEOUT 1 L**.
2. Swap the input cables. Move the cables from **LINE INPUTS 1 R** and **LINE INPUTS 1 L** to **LINE INPUTS 2 R** and **LINE INPUTS 2 L** or vice-versa.

Model 502 Wiring Diagram for Cassette Recording



Note: *Line Outputs 1 connect to the CD/RW Recorder. Line Outputs 2 connect to the Cassette Deck and the CD/RW Recorder. If both are playing, the Cassette Deck has priority and the CD/RW Recorder is not heard.*

Note: *Line Inputs 1 connect to the CD/RW Recorder. Line Inputs 2 connect to the Cassette Deck*

INSTALLATION CONTINUED

MODEL 502 CD-RW RECORD AND CASSETTE PLAYBACK CONNECTIONS

To connect the CD-RW/Cassette for **CD-RW recording and Cassette playback**, do the following. Refer to the illustration at the right.

Note: **LINE OUTPUTS 1** connect to the CD-RW Recorder.

LINE OUTPUTS 2 connect to the Cassette Deck and the CD-RW Recorder. If both are playing, the Cassette Deck has priority and the CD-RW Recorder is not heard.

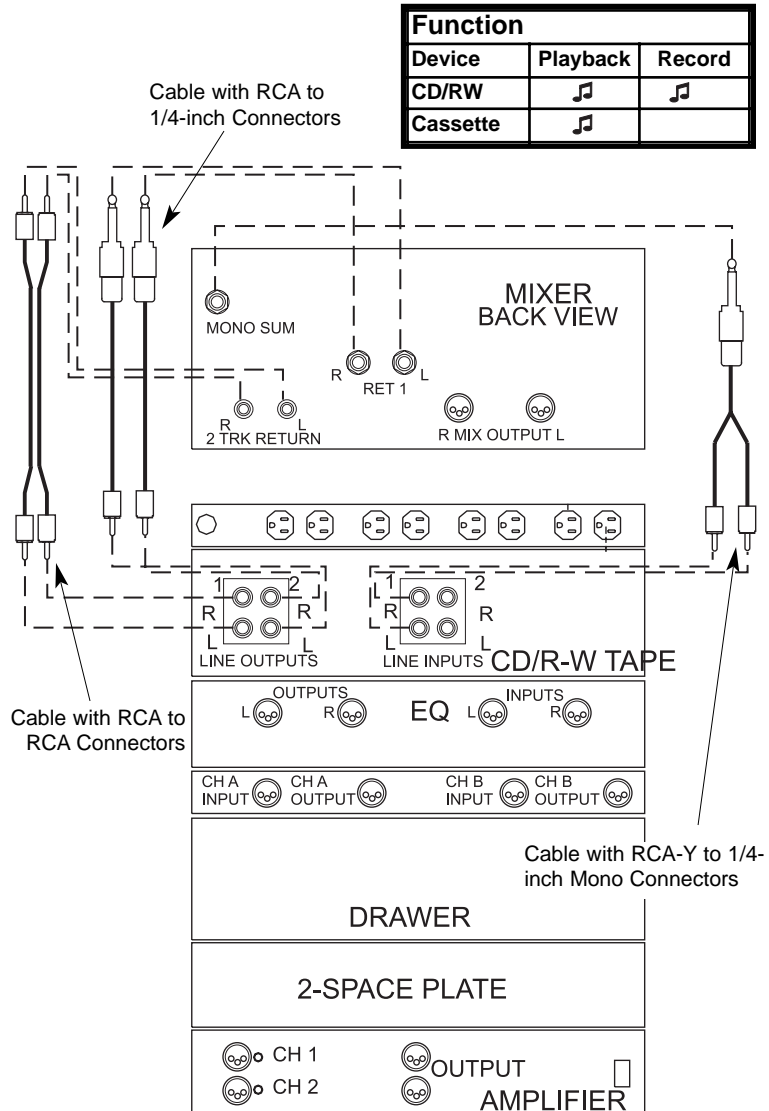
Note: **LINE INPUTS 1** connect to the CD-RW Recorder.

LINE INPUTS 2 connect to the Cassette Deck

Make sure that the Power Distribution Unit **ON-OFF** switch is off before connecting any cables. Refer to the wiring diagram on page 6.

1. Using a RCA/Phono Internal Patch Cable, connect the CD-RW RCA Connector **LINEOUT 1 R** and **LINEOUT 1 L** to the Mixer RCA Connector **2 TRACK RET R** and **2 TRACK RET L**.
2. Using a RCA/Phono to 1/4-inch Mono-Y Internal Patch Cable, connect the Mixer 1/4-inch Connector **MONO SUM** to Cassette RCA Connector **LINE INPUTS 1 R** and **LINE INPUTS 1 L**.
3. Using a RCA/Phono Internal Patch Cable, connect the Cassette RCA Connector **LINEOUT 2 R** and **LINEOUT 2 L** to Mixer RCA Connector **RET 1 R** and **RET 1 L**.
4. Connect the Power Cord from the CD-RW Recorder/Cassette Deck to an unused receptacle on the Power Distribution Unit.

Model 502 Wiring Diagram for Cassette Playback



Note: *Line Outputs 1 connect to the CD/RW Recorder. Line Outputs 2 connect to the Cassette Deck and the CD/RW Recorder. If both are playing, the Cassette Deck has priority and the CD/RW Recorder is not heard.*

Note: *Line Inputs 1 connect to the CD/RW Recorder. Line Inputs 2 connect to the Cassette Deck*

SETUP

BEFORE OPERATING

Refer to the Audio System Owner's Manual and the Audio System Mixer Users Guide for additional information regarding set up and component connections.

1. Make sure the Audio System Power Distribution Unit **ON-OFF** Switch is in the **OFF** Position.
2. Connect a power cord from the Power Distribution Unit to a grounded 120 VAC power source. All components are powered by this component.
3. Connect the Amplifier **CHANNEL 1 OUTPUT** connector to a Loudspeaker **INPUT** connector and the Amplifier **CHANNEL 2 OUTPUT** connector to the other Loudspeaker **INPUT** connector.
4. Make sure that the CD/RW Recorder/Cassette Deck is connected as outlined in the previous paragraphs.
5. Make sure that the Mixer, Amplifier, and other component power switches are **OFF** and the level controls are set to the lowest levels. Refer to the Audio System Owner's Manual for additional information.
6. Place the speakers and microphones where they will be used during the performance. Avoid placing microphones directly in front of speakers.

POWER UP THE AUDIO SYSTEM

1. Power up the system as follows.
 - a. Turn the Power Distribution Unit power switch **ON**.
 - b. Power up the mixer, graphic equalizer, audio sources, and musical instruments. Refer to the Audio System Owner's Manual and other component manufacturer's User Guides for operating information.
 - b. Press the CD/RW Recorder/Cassette Deck **POWER** push button.
 - c. Power up the Amplifier.
 - d. Apply a signal to the system and adjust the performance levels.

CASSETTE PLAYBACK

1. Set the **REV MODE** switch (single-sided playback, both sides and stop, or both sides and continue).
2. Load the cassette.
3. Select **DOLBY NR ON** or **OFF**.
4. Press the either **PLAY** push button.
5. Adjust the level on the Mixer and Amplifier.

CASSETTE RECORDING

1. Set the **REV MODE** switch (single-sided playback, both sides and stop, or both sides and continue).
 2. Load the cassette.
 3. Select the signal source:
 - a. Press the **INPUT 2 SEL** push button to select **LINE INPUT 2** (record the signal from the Mixer) as a recording source.
 - b. Selecting **DISC** will record a signal from the CD/RW Recorder.
 4. Select **DOLBY NR ON** or **OFF**.
 5. Press the **RECORD** push button. This places the Deck into the Record Pause mode (display indicators light).
 6. Introduce a signal to the Deck and adjust the recording level with the **INPUT** level control so that the loudest sound causes the meters to reach about 0 dB.
 7. Press either the **PLAY** or **PAUSE** push button to start recording.
 8. Press the **STOP** push button to stop recording.
-

SETUP CONTINUED

CD/RW PLAYBACK

The internal cables must be connected from the Mixer output to the CD/RW Recorder/Cassette Deck **LINE OUTPUT 2 RIGHT** and **LINE OUTPUT 2 LEFT** connectors.

1. Load the Disc.
2. Press the **PLAY** push button.

CD/RW RECORDING

The internal cables must be connected from the Mixer output to the CD/RW Recorder/Cassette Deck **LINE INPUT 1 RIGHT** and **LINE INPUT 1 LEFT** connectors.

1. Load a recordable Disc.
2. Press the **RECORD** push button. This places the Deck into the Record Ready mode (display shows **NOW OPC**).
3. Adjust the signal volume (refer to page 24 of the Tascam CC-222 Owner's Manual).
4. Press the **PLAY** or **PAUSE** push button to start recording.
5. Press the stop push button to stop recording. The **REC** indicator flashes as the unit writes to the Disc.

Note: While the message *PMA WRITING* displays, **do not turn off power to the CD/RW-Cassette.**

TROUBLESHOOTING

Refer to each manufacturer's owner manual in the binder for detailed troubleshooting information.

1. Verify all cables are firmly connected.
2. Verify power is supplied to all components. Are there visible lights on each component?
3. Verify channels on the power amplifier are turned up. They should be set about three-quarters of the way up (turned clockwise).
4. Verify mixer settings are set so that volume sources are loud enough to hear an audible signal.

REPLACEMENT PARTS

Audio System CD Upgrade Option	Qty
Tascam CC-222 CD/RW Recorder/Cassette Deck	1
Internal Cables, RCA/Phono connectors	2
Internal Cables, RCA/Phono to 1/4-inch connectors	2
Screw, 10-32x3/4"	4