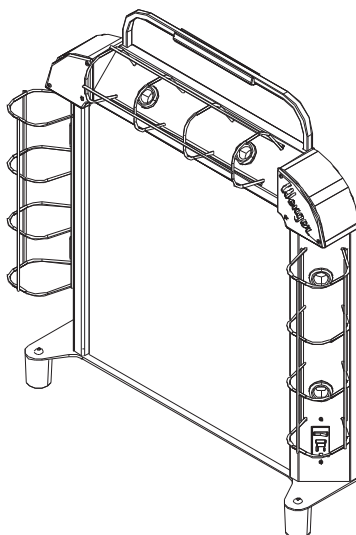




Your Performance Partner

# Owner's Manual Backstage® Makeup Station



Backstage Makeup Station

## CONTENTS

Safety	2
Grounding Instructions	2
Use	2
Important User Information	4
User Instructions	5
Lighting	5
Electric Receptacle	6
Mirror	6
Broken Mirror Replacement	7
Maintenance	7
GFCI Test	9
Lighting	9
Cleaning	9
Replacement Parts	10
Mirror Surround Assembly, Backstage	10
Warranty	11

**Note:** Please read and understand the Backstage Makeup Station Owner's Manual.

**Note:** Refer to the illustrations on the following pages. If you need additional information about your Backstage Makeup Station, write or telephone Wenger Corporation at the number below.

**Note:** Save these instructions.

## **SAFETY**

---

Throughout this manual you will find **CAUTIONS** and **WARNINGS** which are defined as follows.

- **WARNING** means that failure to follow the instruction may result in serious injury or death.
- **CAUTION** means that failure to follow the instruction may result in serious injury or damage to the Backstage Makeup Station.

**Note:** Read all of these safety instructions before using the Backstage Makeup Station.

**Warning:** *Failure to comply with warnings and cautions in this section can result in damage to property, serious injury, or death.*

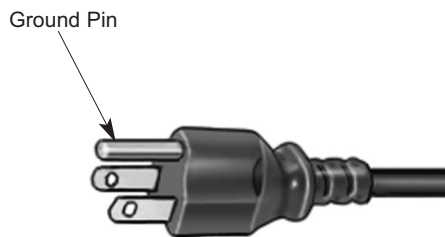
### **GROUNDING INSTRUCTIONS**

This product is for use only with a 120-volt power supply. It has a grounding plug that looks like the plug shown below. Make sure that the product is connected to an outlet having the same configuration as the plug. No adapter should be used with this product.

**Warning:** *Improper connection of the grounding conductor can result in electrical shock. Consult a qualified electrician if there is any doubt if the product is safely grounded. Never modify the plug or electrical cord provided with the Makeup Station. If the plug will not fit into the receptacle, have a qualified electrician install the correct grounded receptacle.*



Typical Grounded Receptacle



Grounded Plug

### **USE**

**Warning:** *To reduce the risk of burns, fire, electric shock, or injury to persons:*

- *Always unplug the makeup station from the electrical outlet before changing bulbs.*
- *Always unplug the makeup station from the electrical outlet before cleaning.*
- *Keep the power cord away from heated surfaces.*
- *Use this makeup station only for its intended use as described in these instructions. Do not use attachments not recommended by the manufacturer.*
- *Use only 60 watt incandescent bulbs or 15 watt swirl fluorescent bulbs.*
- *Never insert any object into lamp sockets other than recommended bulbs.*
- *Never place costumes, wigs, or flammable items near light bulbs.*
- *Never hang anything from the light bulb cages.*
- *Never use the outlet for hot plates or coffee machines.*
- *Do not use the makeup station outdoors.*

## **SAFETY CONTINUED**

---

### **USE CONTINUED**

- *Never use the makeup station if it has a damaged cord or plug, if it is not working properly, if it has been dropped or damaged, or dropped into water. Contact wenger corporation for instructions regarding replacement or repair.*
- *Always provide adult supervision when children use the Makeup Station.*
- *Never hang cords, costumes, wigs, or flammable items near the light bulbs.*
- *Never splash liquids onto the lighting or onto the Mirror Surround.*

**Warning:** *Always place the Backup Station on a level surface that is large enough to support the base such as a sturdy table. Failure to observe this warning can result in tipping the Station over, personal injury and damage to property.*

**Warning:** *Never plug appliances into the receptacle that exceed the 9 ampere rating. Overloading the outlet can cause a power interruption.*

**Warning:** *Never plug a device that has faulty wiring into the receptacle. Failure to comply with this warning can result in electrical shock and serious injury.*

**Warning:** *Never pour or spray liquids near the outlet. Failure to comply with this warning can result in electrical shock and serious injury.*

**Warning:** *Never hit the mirror with hard, heavy objects. Breakage of the mirror can result.*

**Warning:** *Always use work gloves when handling a broken mirror. Failure to comply with this warning can result in serious injury.*

**Caution:** *The Backstage Makeup Station weights 35 pounds. Always make sure that you can lift it safely. Failure to observe this caution can result in personal injury and damage to property.*

## **IMPORTANT USER INFORMATION**

---

The Backstage Makeup Station is manufactured by:

Wenger Corporation  
555 Park Drive • PO Box 448  
Owatonna, MN 55060  
1-507-455-4100 • 1-800-733-0393  
[www.wengercorp.com](http://www.wengercorp.com)

The Backstage Makeup Station part numbers and electrical ratings are:

Model 187A003  
Electrical Rating 120 V, 12.0 Amps, 60 Hz

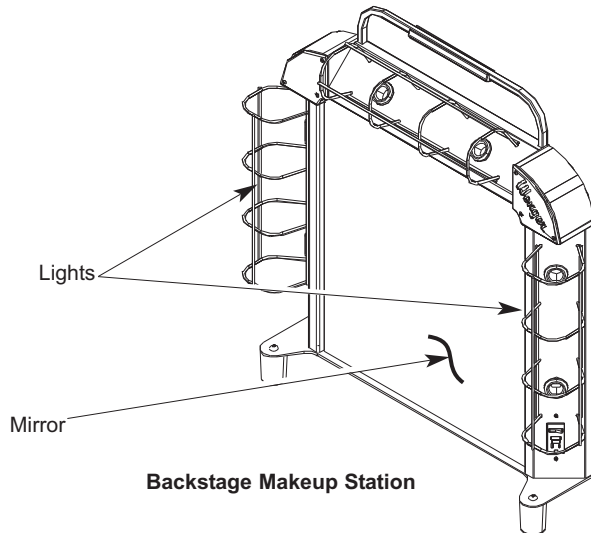
If you decide to contact Wenger Corporation about your Backstage Makeup Station, you may need to find the date of manufacture which is engraved on the bottom of the steel frame.

## USER INSTRUCTIONS

The Backstage Makeup Station is intended to provide the necessary elements to apply makeup or create special visual effects. It has the following features.

1. Lighting that is bright and untainted in color.
2. An electrical outlet for makeup appliances.
3. A large mirror.
4. It is portable.

**Warning:** *Always place the Backup Station on a level surface that is large enough for the base such as a sturdy table. Failure to observe this warning can result in tipping the Station over, personal injury and damage to property.*



### LIGHTING

Light bulbs are not supplied with the Backstage Makeup Station. The end user should choose the light bulb that is best suited for the Makeup Station use. For accurate color rendering, Wenger Corporation recommends either of the following.

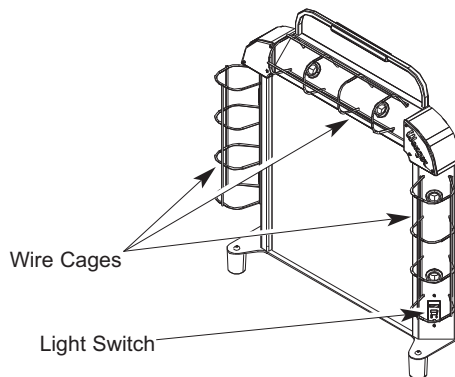
- GE Reveal® 60 watt incandescent bulbs
- Full-spectrum, 15-watt, swirl fluorescent bulbs

**Warning:** *Never use bulbs larger than 60 watts. The electrical circuitry is designed for 60 watt bulbs. Using larger sizes may cause overheating of components or cause other problems that can result in fire, electric shock, injury or damage to property.*

**Warning:** *Never hang costumes, clothing, or wigs near the bulbs. Failure to observe this precaution can result in fire and damage to property.*

**! WARNING**

Never use bulbs larger than 60 watts. Fire, damage to property or injury can result if this caution is ignored.



**! WARNING**

Never hang clothes, wigs, etc. from the wire cages. Fire or injury can result if this caution is ignored.

## USER INSTRUCTIONS CONTINUED

---

### ELECTRIC RECEPTACLE

An electric Receptacle is located on the lower right of the Mirror on the Backstage Makeup Station.

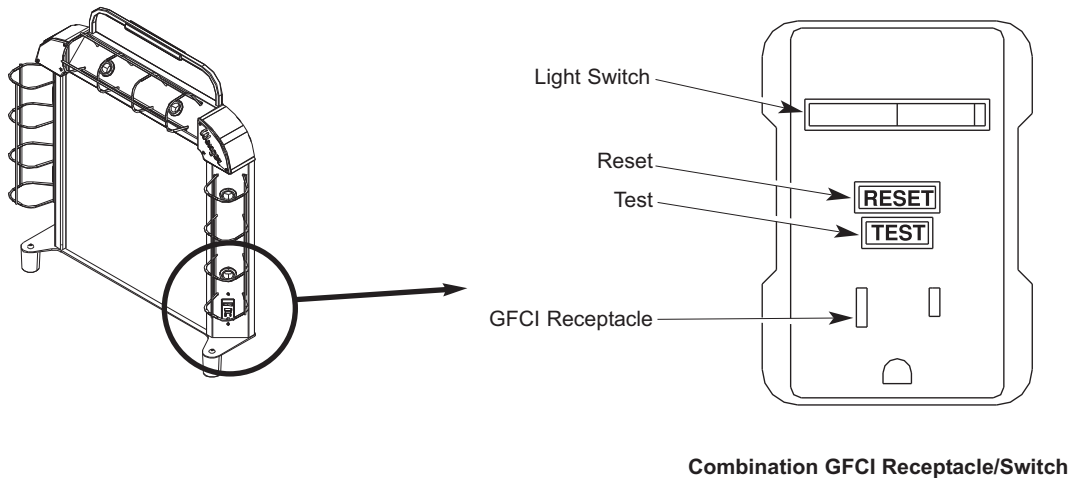
- An appliance used to apply makeup can plug into this Receptacle.
- This receptacle has Ground Fault Circuit Interrupter for shock protection.

**Warning:** *Never plug appliances into the Receptacle that will exceed the current capacity of the branch circuit. Overloading may cause a power interruption.*

**Warning:** *Never plug a device with faulty wiring into the Receptacle outlet. Failure to observe this precaution can result in injury or damage to property.*

**Warning:** *Never pour, spray, or splash liquids near the receptacle. Failure to observe this precaution can result in injury or damage to property.*

**Caution:** *Test the GFCI Receptacle every 30 days. Refer to page 9.*



### MIRROR

The Backstage Makeup Station Mirror is shatter-resistant and shatter-controlled. ***It is not unbreakable.***

**Warning:** *Never strike the mirror with hard, heavy objects. Never handle a broken mirror with bare hands. Always have a qualified worker remove a broken mirror immediately. Failure to observe these warnings can result in serious injury.*

**Note:** Refer to page 7 for instructions regarding replacing a broken mirror or call Wenger Corporation Customer Service.

# MAINTENANCE

## BROKEN MIRROR REPLACEMENT

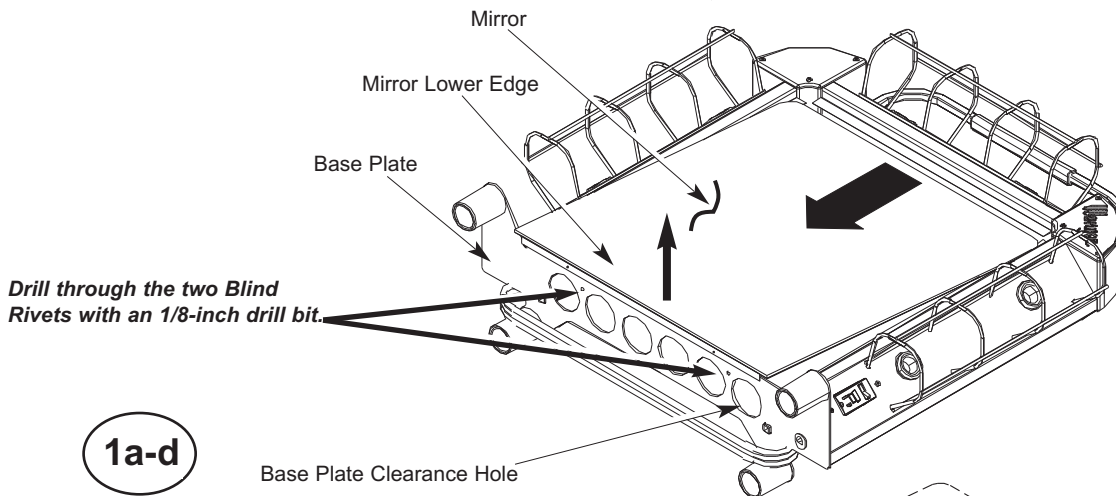
Replace a damaged Mirror as follows.

1. To remove a damaged mirror:
  - a. Remove the power cord from the power source.

**Warning:** *Never replace a damaged mirror with the power cord connected to a power source. Failure to observe this warning can result in electric shock and serious injury.*

**Warning:** *Always wear work gloves and safety glasses when replacing a damaged mirror. Failure to observe this warning can result in serious injury.*

- b. Place the Makeup Station onto its back on a flat work surface.
- c. Using a cordless drill and a 1/8-inch drill bit, drill through the two blind rivets that hold the Mirror Flange to the Base Plate.
- d. Wearing work gloves, reach through the large holes in the Base Plate and push the lower edge of the Mirror upward until it clears the Frame.
- e. Wearing work gloves, slide the broken mirror downward about one inch until the Upper Clips are clear of the Flange.
- f. Lift the mirror away from the Station and set it aside.

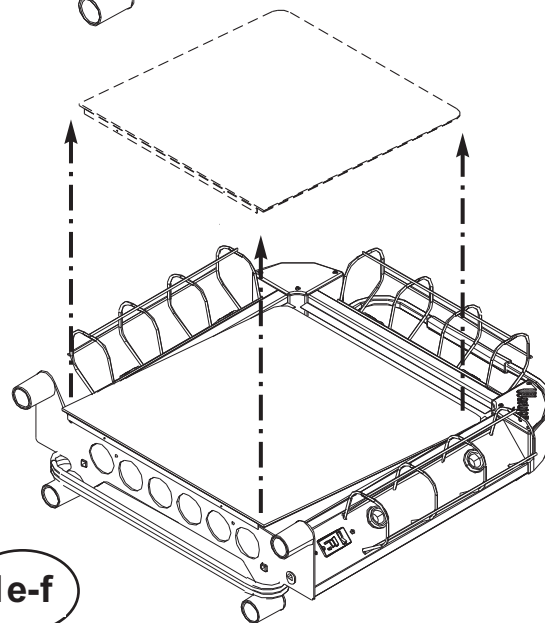


1a-d

**! WARNING**  
Dispose of the broken mirror in a safe manner. Injury can occur from sharp edges of broken glass.

**! WARNING**  
Always wear heavy work gloves and safety glasses when handling a broken mirror. Broken glass can cause serious injuries.

**! WARNING**  
Take care in removing the old mirror. Serious injury can occur from sharp edges of broken glass.



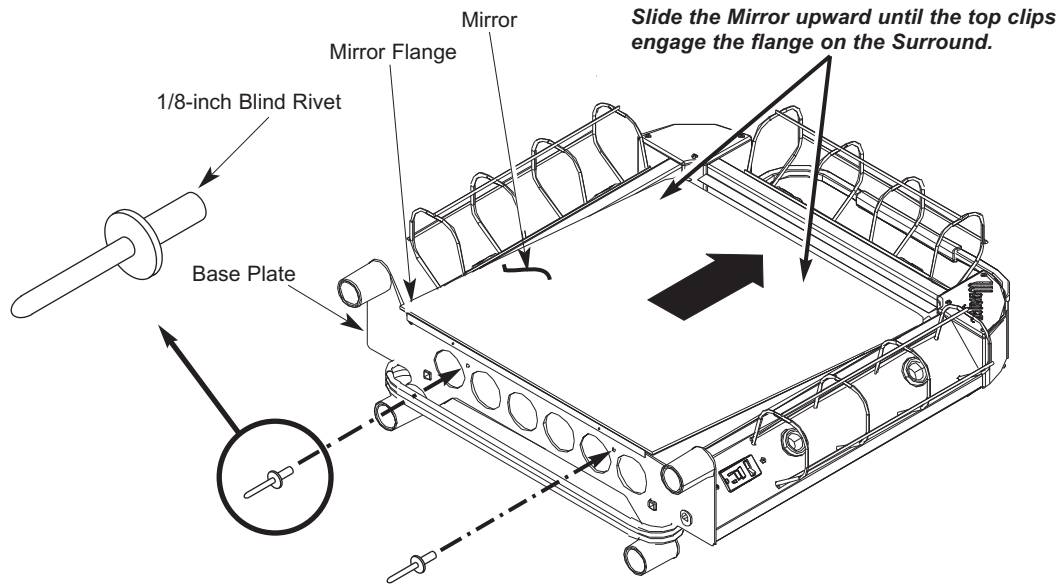
1e-f

## MAINTENANCE CONTINUED

---

### BROKEN MIRROR REPLACEMENT CONTINUED

2. Install the new Mirror as follows.
  - a. Place the new Mirror onto the Surround as shown with the Mirror Flange at the bottom and about a one-inch space between the top edge of the Mirror and the Surround.
  - b. Wearing gloves, lift the bottom edge of the Mirror slightly and slide the Mirror toward the top making sure that the top clips of the Mirror engage the Surround.
  - c. Wearing gloves, support the bottom edge of the Mirror through the large holes and gently slide the Mirror flange inside the frame until the rivet holes align.
  - d. Using a Blind Rivet Tool, attach two 1/8-inch steel Blind Rivets to the two holes on the Mirror Flange and the Base Plate.





## **MAINTENANCE CONTINUED**

---

### **GFCI TEST**

Every 30 days test the GFCI Receptacle as follows.

1. Push the **RESET** push button on the receptacle.
2. Plug a night-light into one of the outlets and turn the night-light on. The bulb should turn on.
3. Push the **TEST** push button on the receptacle. The night-light should go off. ***If it does not, the Receptacle is faulty.***
4. Push the **RESET** push button. The night-light should turn on. ***If it does not, the Receptacle is faulty.***
5. If the GFCI Receptacle fails the test, have a licensed electrician replace the receptacle with another GFCI Receptacle with the same specification.

### **LIGHTING**

1. Always replace burned out or broken bulbs with the bulbs recommended on page 5.

**Warning:** ***Always unplug the Makeup Station before replacing bulbs. Never use bulbs larger than 60 watts. Always wear gloves when removing a broken bulb.***

### **CLEANING**

1. Use a soft cotton cloth and a mild detergent to clean the Surround.

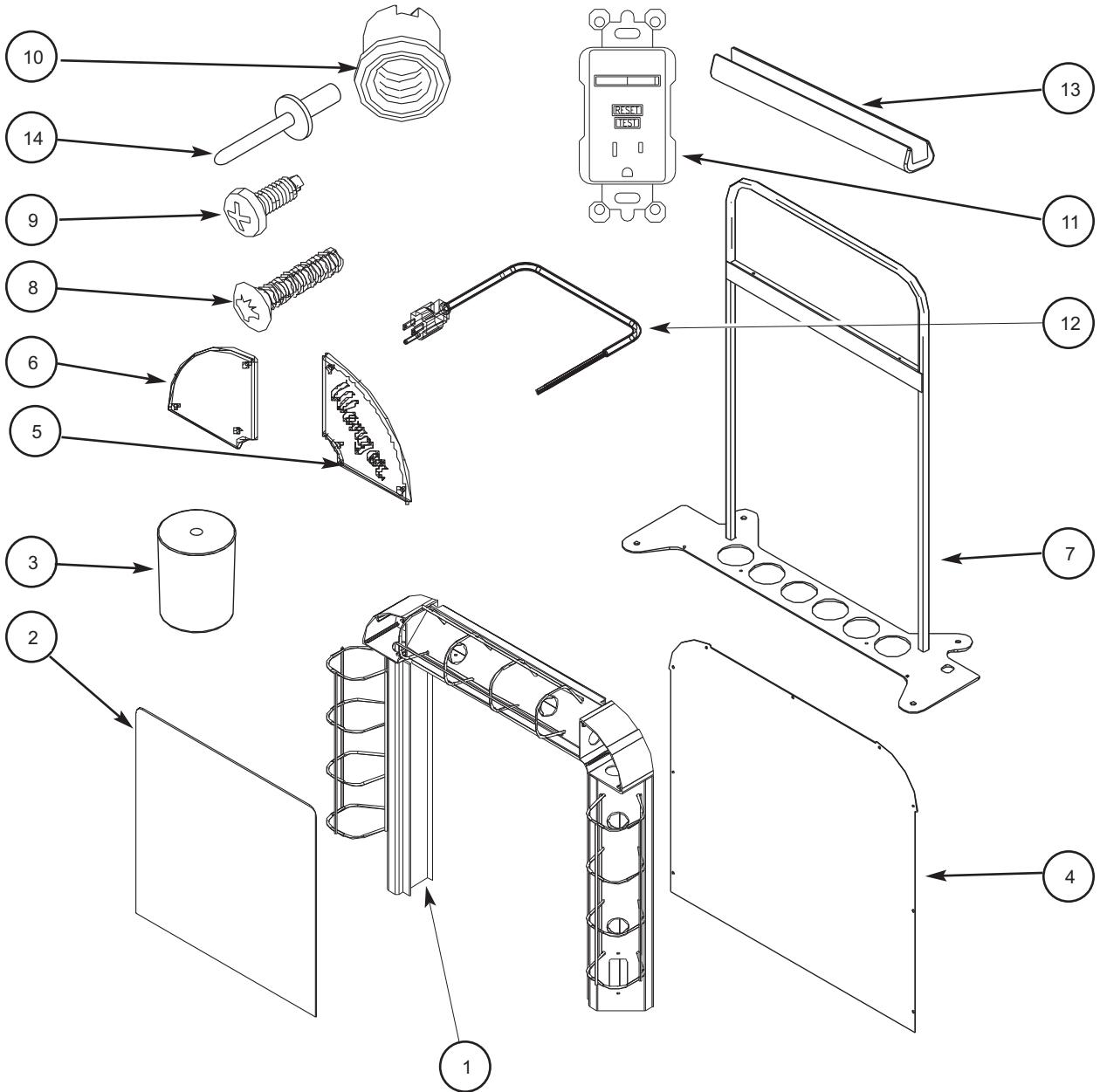
**Warning:** ***Always unplug the Makeup Station before cleaning. Failure to observe this precaution can result in injury.***

**Warning:** ***Never pour, spray, or splash liquids near the receptacle outlets. Failure to observe this precaution can result in injury or damage to property.***

2. Clean the Mirror with a clean soft cotton cloth and a glass cleaner.
3. To clean residue or dust from bulbs, do as follows.
  - a. Unplug the Makeup Station and allow the bulbs to cool.
  - b. Carefully remove the bulbs from the sockets.
  - c. Clean the bulbs with a dampened cloth.
  - d. Reinstall the bulbs.

# REPLACEMENT PARTS

## MIRROR SURROUND ASSEMBLY, BACKSTAGE



**Item Description**

- 1 Mirror Surround Assembly, Backstage
- 2 Mirror Assembly
- 3 Foot
- 4 Back Cover
- 5 Corner Cover, with logo
- 6 Corner Cover, Plain
- 7 Frame

**Item Description**

- 8 Phillips Oval Head Screw, 8-32x3/4" Grade 2, Wedgwood
- 9 Phillips Truss Head Screw, 6-32x1/2" Grade 2, White
- 10 Lamp Holder, Snap-in
- 11 Combination GFCI Receptacle/Switch
- 12 Power Cord, 10'
- 13 Grip
- 14 Blind Rivet, Steel, 1/8-inch

## **WARRANTY**

---

The Backstage Makeup Station is guaranteed free of defects in materials and workmanship for five full years.

Our guarantee assures you of either a full refund or repair or replacement of the defective materials or workmanship without charge, at the discretion of our Customer Service Department. Just call a Customer Service Representative at 1-800-887-7145 and state the reason you are dissatisfied. If a product return is necessary, your representative will issue a return authorization. This is your sole remedy for breach of this warranty.

Should you have a question or problem with any Wenger product, don't hesitate to call, even if the product is past warranty. It's important to us that all our customers be satisfied.

This is the sole warranty made by Wenger. Wenger disclaims all other warranties, including the warranties of merchantability and fitness for a particular purpose, as well as all liability for incidental, consequential, special, and indirect damage. Wenger liability for direct damages shall be limited to the amount you paid for the product involved. Wenger reserves the right to make product changes without obligation to incorporate such changes into products previously sold.

Some states do not allow the exclusion or limitation of damages or warranties, so the above may not apply to you. This warranty gives you specific legal rights. You may also have other rights which vary from state to state.

This page is intentionally blank.