

Backstage[®] Makeup Station

The Backstage Makeup Station will provide performers with a correct and convenient tabletop environment for applying makeup and creating other visual effects. The Backstage Makeup Station includes a large mirror, shadow-free lighting, an electrical outlet, a carry handle, and a grounded power cord.

- 187A011 Backstage Makeup Station with six lights and white accent panels.

The Mirror

- Construction: High quality glass and silvering laminated to a steel backer to prevent separation of shards if broken.
- Size: 20-3/4" wide x 22-3/4" high (527 x 578 mm).

The Mirror Surround

- Construction: Extruded matte white aluminum with white accents. Rugged powder-coat paint finish. Base is shaped for compact storage front-to-back.
- Handle on top for transporting is part of mirror surround.

The Lighting

- Six medium base sockets provided for 60W incandescents or 15W swirl fluorescents. Bulbs are protected by wire cages made from 3/16" (5 mm) diameter steel wire. Cages are permanently mounted, but allow easy bulb replacement (bulbs not included).

The Electrics

- A rocker switch and grounded outlet are mounted on the lower right side of the mirror surround.
- Switch controls lights only.
- Attached power cord is 10' (3048 mm) long and stores itself.
- UL[®] listed. Meets NEC (National Electric Code) requirements.

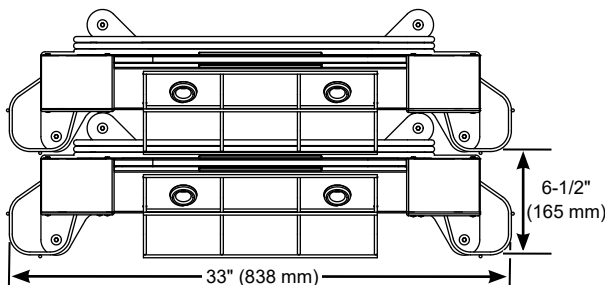
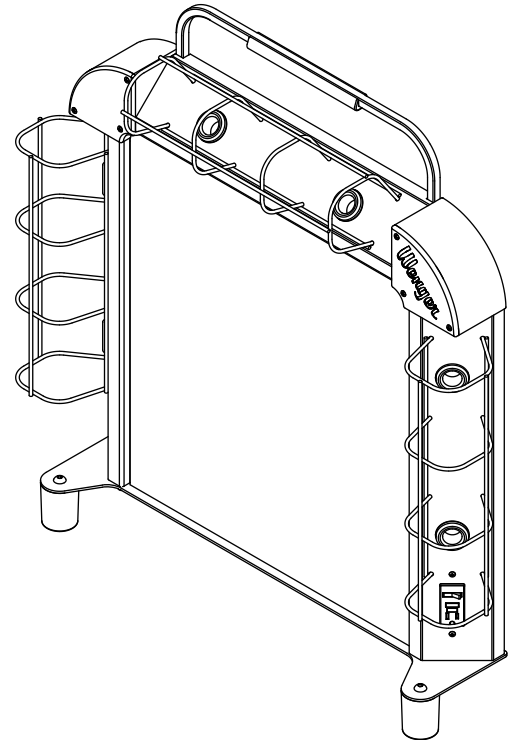
The Options

- 187A021 Lightweight canvas padded Dust Cover protects the Backstage Makeup Station from damage and collection of dust.

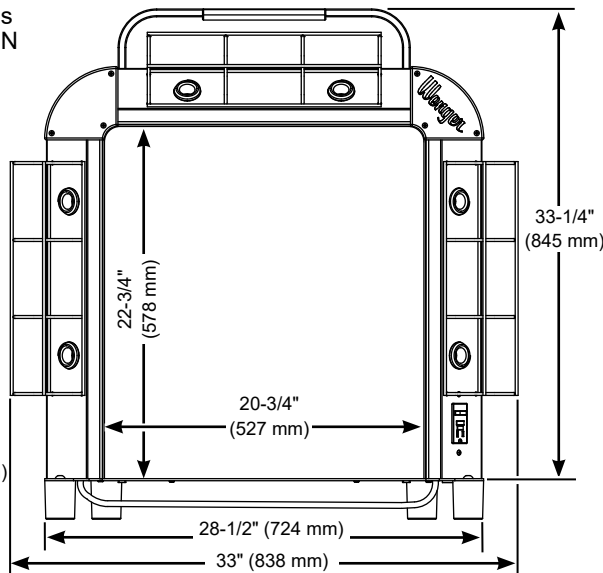
Physical Dimensions

- Overall Width: 33" (838 mm) (bulb cage-to-bulb cage).
- Overall Height: 33-1/4" (845 mm).
- Overall Depth: 9-3/8" (238 mm).
- Storage Depth: 9-3/8" (238 mm) first unit, 6-1/2" (165 mm) each additional unit.
- Weight: 35 lbs (16 kg).

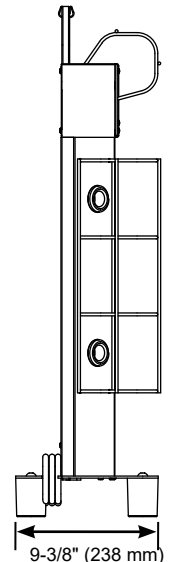
- Environmental attributes and LEED compliance for this product can be found at www.wengercorp.com/GREEN or by contacting your Wenger representative.
- Five-year warranty.



Nestled View



Front View



Side View



© 2018 Wenger Corporation
USA/2018-08/W



WENGER CORPORATION

Phone 800.4WENGER (493-6437) Worldwide +1.507.455.4100 | Parts & Service 800.887.7145 | Canada Office 800.268.0148 | wengercorp.com
555 Park Drive, PO Box 448 | Owatonna MN 55060-0448

JR CLANCY

Phone 800.836.1885 Worldwide +1.315.451.3440 | jrclancy.com | 7041 Interstate Island Road | Syracuse NY 13209-9713

GEARBOSS

Phone 800.493.6437 | email gearboss@wengercorp.com | gearboss.com | 555 Park Drive, PO Box 448 | Owatonna MN 55060-0448