



Bass and Cello Protective Kit installed into a #8 or #9 Instrument Storage Cabinet

CONTENTS

Required Tool	2
Part List	2
Intended Use	2
Installation	2
Before Starting the Installation	2
Install Bow Hooks and Shelf Pad	3
Warranty	4

Note: Please read and understand these Installation Instructions before installing the parts.

Note: Refer to the illustrations on the following pages. If you need additional information, contact the Wenger Corporation using the information below.

REQUIRED TOOL

The only tool required for installation is a phillips screwdriver.



Phillips Screwdriver

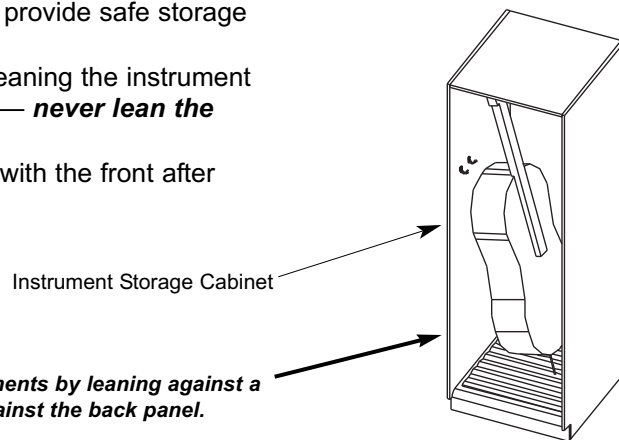
PART LIST

Item	Description	Part Number
1	Storage Shelf Pad	145R871
2	Bow Hook with Screws, pair	X002585

INTENDED USE

The Bass and Cello Protective Kit is intended to provide safe storage of these instruments.

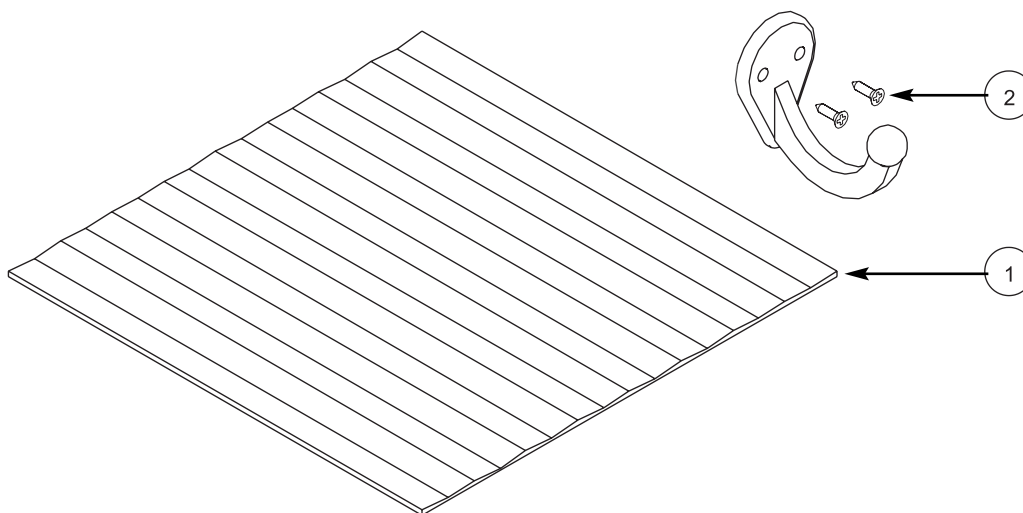
- Always store large stringed instruments by leaning the instrument against a side panel of the Storage Cabinet — **never lean the instrument against the back panel.**
- The grooves in the Pad (1) must be parallel with the front after installation.



INSTALLATION

BEFORE STARTING THE INSTALLATION

1. Read and understand this installation instruction before starting the installation.
2. Remove all items from the shipping carton and make sure that all parts are present. Item numbers refer to the Part List above.
3. Inventory the hardware package and make sure that all required hardware is present.



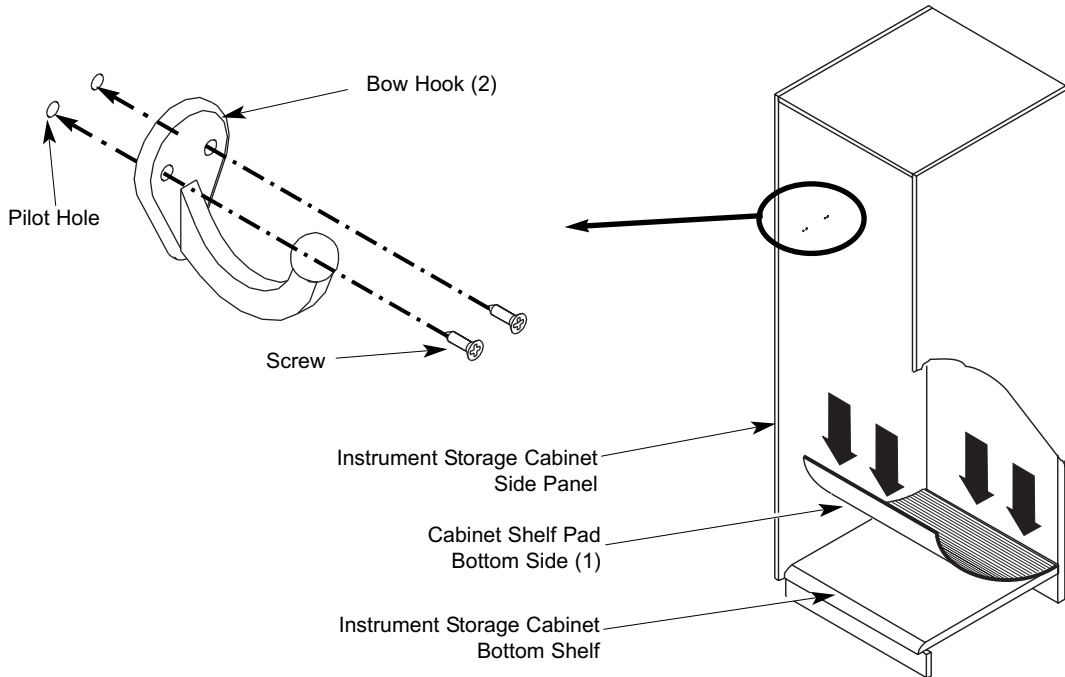
INSTALLATION CONTINUED

INSTALL BOW HOOK AND SHELF PAD

1. The Kit has a pair of Bow Hooks (2) with four Screws in the hardware bag. These Bow Hooks (2) can be attached to either the right or left Instrument Storage Cabinet Side Panel inside surface as follows.
 - a. Using a phillips screwdriver, attach a Bow Hook (2) to the Instrument Storage Cabinet Side Panel Pilot Holes (inside surface) with two of the Screws contained in the hardware package.
 - b. Attach the second Bow Hook (2) in the same way.

Caution! Do not overtighten the screws. Overtightening will strip the threads in the pilot hole.

2. Install the Cabinet Shelf Pad (1) as follows.
 - a. Place one edge of the Cabinet Shelf Pad Bottom Side (with the grooves on the top surface parallel the front edge of the Bottom Shelf) against the back edge of the Cabinet Bottom Shelf.
 - b. Place the front edge of the Pad (1) onto the Bottom Shelf (make sure that the Pad is flat and without bulges).



WARRANTY

The Bass and Cello Protection Kit is guaranteed free of defects in materials and workmanship for three full years.

Our guarantee assures you of either a full refund or repair or replacement of the defective materials or workmanship without charge, at the discretion of our Customer Service Department. Just call a Customer Service Representative at 1-800-887-7145 and state the reason you are dissatisfied. If a product return is necessary, your representative will issue a return authorization. This is your sole remedy for breach of this warranty.

Should you have a question or problem with any Wenger product, don't hesitate to call, even if the product is past warranty. It's important to us that all our customers be satisfied.

This is the sole warranty made by Wenger. Wenger disclaims all other warranties, including the warranties of merchantability and fitness for a particular purpose, as well as all liability for incidental, consequential, special, and indirect damage. Wenger liability for direct damages shall be limited to the amount you paid for the product involved. Wenger reserves the right to make product changes without obligation to incorporate such changes into products previously sold.

Some states do not allow the exclusion or limitation of damages or warranties, so the above may not apply to you. This warranty gives you specific legal rights. You may also have other rights which vary from state to state.