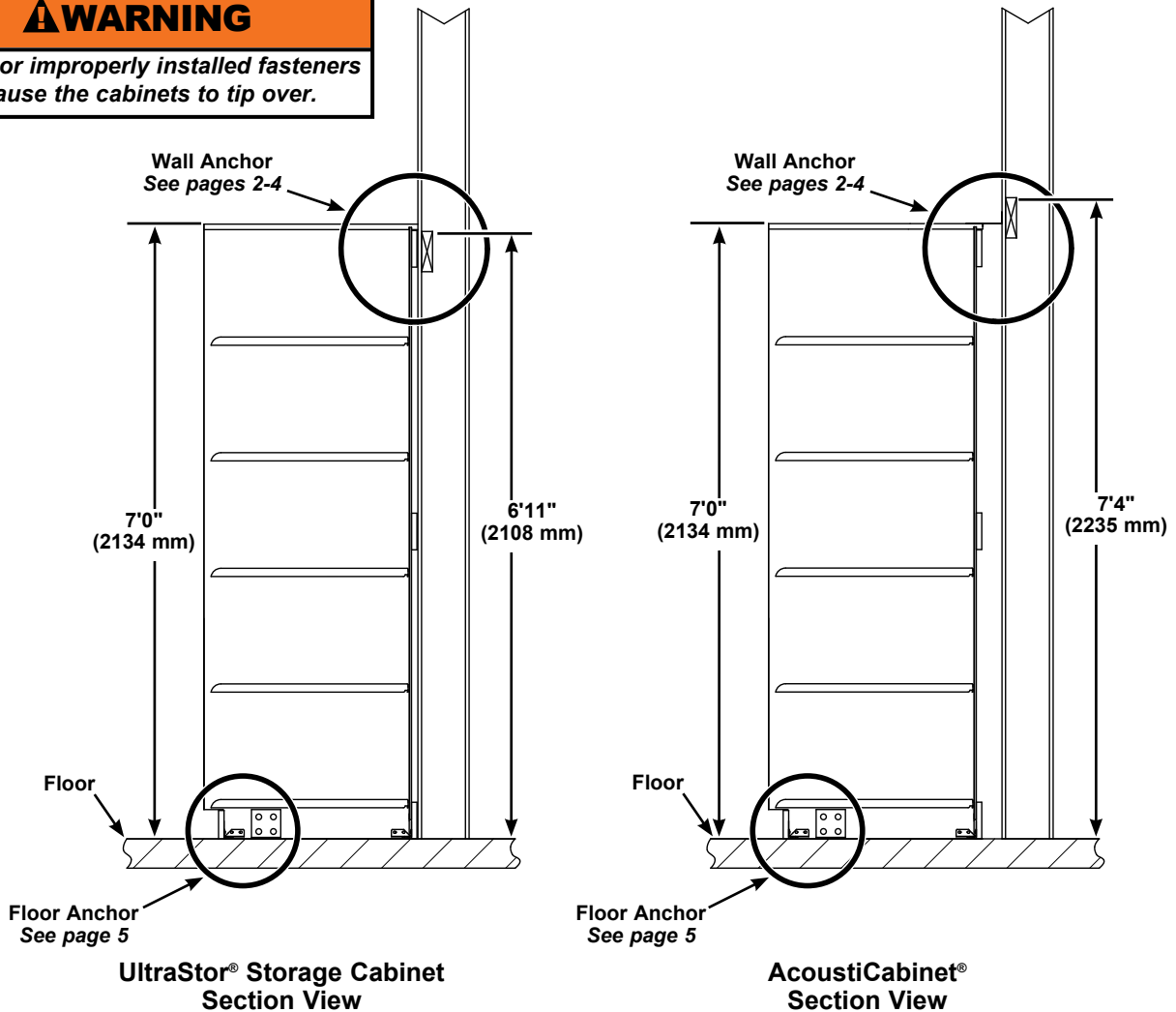


Seismic Instructions to be used with Wenger Storage Cabinets only!
**For more detailed product information, refer to the
 Cabinet Storage Products Assembly Instructions 250B394.**

⚠ WARNING

Inferior or improperly installed fasteners could cause the cabinets to tip over.



Contents

| | | | |
|--------------------------------------------------------------|---|--------------------------------------------------------------------|---|
| Wall Anchoring with C.M.U. Bracing | 2 | Seismic Top Plate for Single Row Island Mount Cabinets | 6 |
| Fasteners Wall Anchoring with 2" x 6" Wood Bracing | 3 | Seismic Top Plate for Flush Front Island Mount Cabinets | 7 |
| Wall Anchoring with Metal Stud Bracing | 4 | Seismic Top Plate for Back-to-Back Island Mount Cabinets | 8 |
| Floor Anchoring | 5 | | |

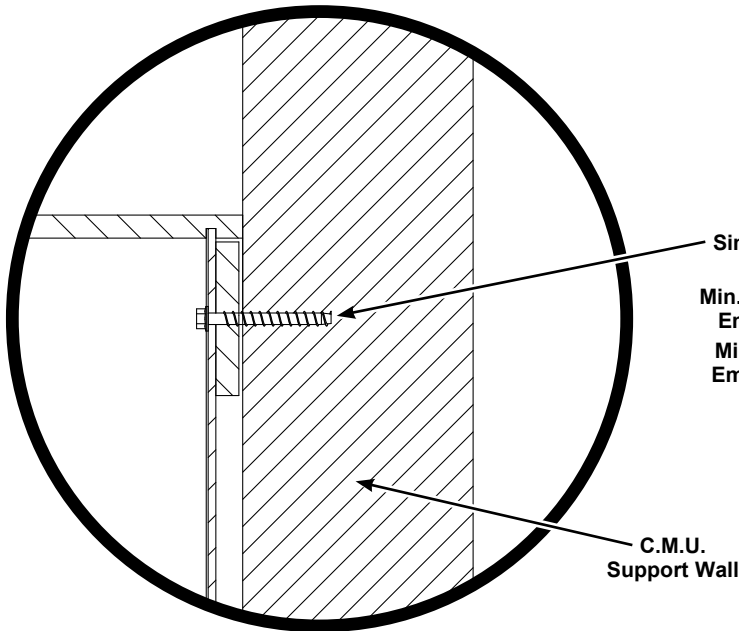
Visit the Storage Products web page at wengercorp.com for more information.

Note: Please read and understand these instructions before installing.
Note: Refer to the illustrations on the following pages.
 If you need additional information, contact the Wenger Corporation using the information below.

Wall Anchoring with C.M.U. Bracing

Wenger Part No. X003492 Screw Anchors should be secured using the following procedure:

1. Use a 3/8" drill bit to pre-drill each hole 1/2" to 1" (13 to 25 mm) deeper into the wall surface than the screw anchor length (to allow for dust and debris while drilling).
2. Remove any debris residue from the pilot hole.
- 3a. **For UltraStor only**, drive the screw anchor through the back of the cabinet and into the pilot hole.
- 3b. **For AcoustiCabinets only**, drive the screw anchor through the 255A502 wall bracket and into the pilot hole.
4. Tighten the screw anchor to the specified torque.



Wenger Part No. X003492
Simpson Screw Anchor (THD37400H)
Install Per ICC-ES ESR-2713
Min. C.M.U. Thickness of 3-3/4" (95 mm)
Embedment Depth of 2-1/2" (64 mm)
Min C.M.U. Thickness of 5" (127 mm)
Embedment Depth of 3-1/4" (83 mm)
Torque 50 ft-lb (68 Nm)
(Two Required Per Cabinet)

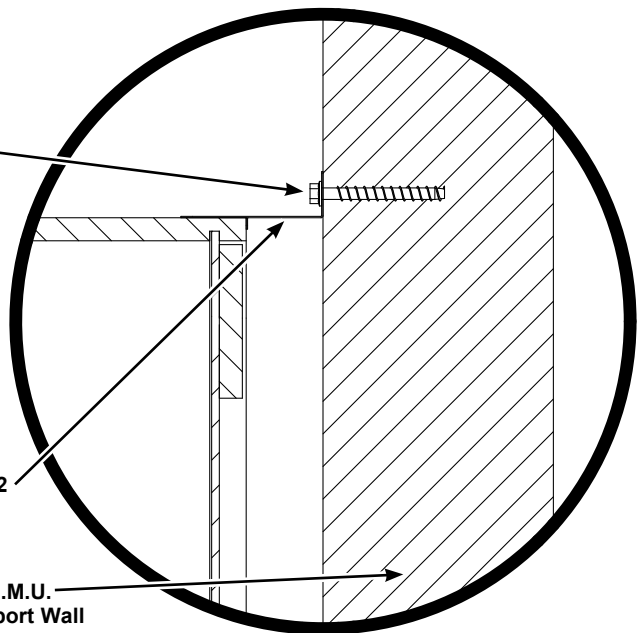
C.M.U.
Support Wall

Wall Anchor - C.M.U. Bracing
UltraStor

Wenger Part No. X003492
Simpson Screw Anchor (THD37400H)
Install Per ICC-ES ESR-2713
Min. C.M.U. Thickness of 3-3/4" (95 mm)
Embedment Depth of 2-1/2" (64 mm)
Min C.M.U. Thickness of 5" (127 mm)
Embedment Depth of 3-1/4" (83 mm)
Torque 50 ft-lb (68 Nm)
(Two Required Per Cabinet)

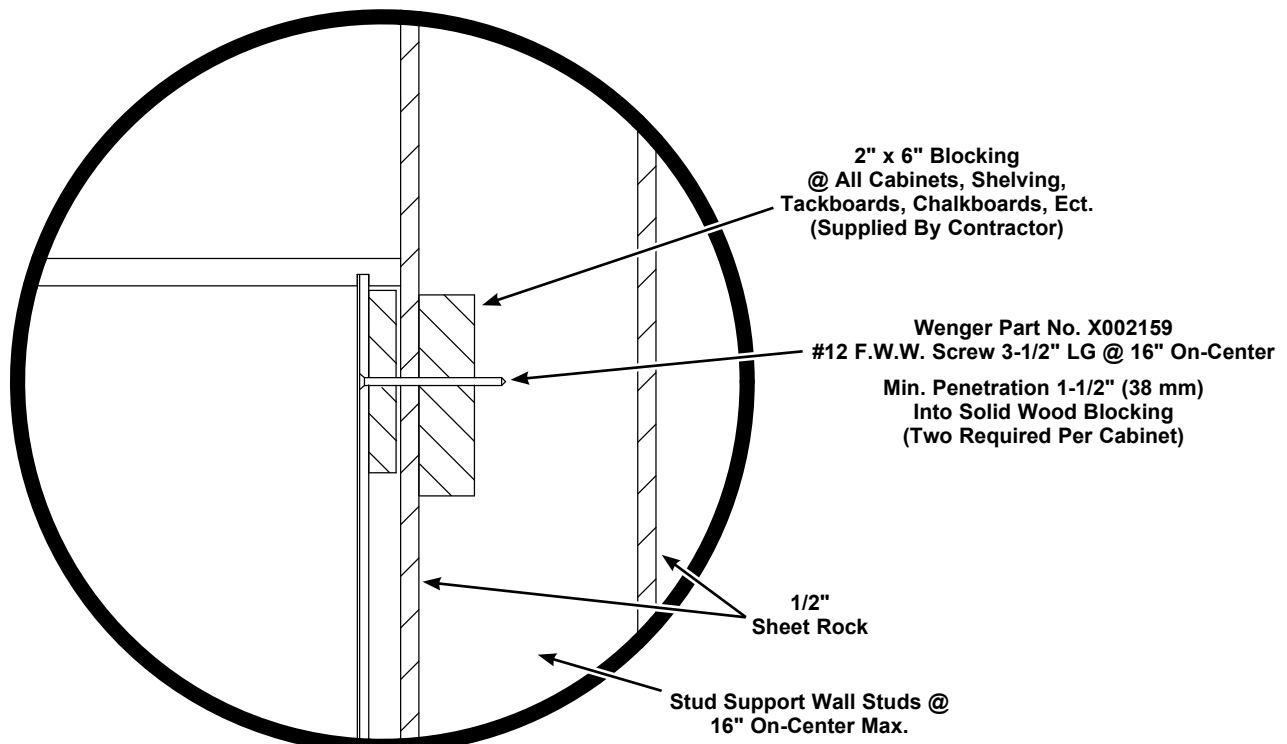
Wenger Part No. 255A502
Wall Bracket

C.M.U.
Support Wall

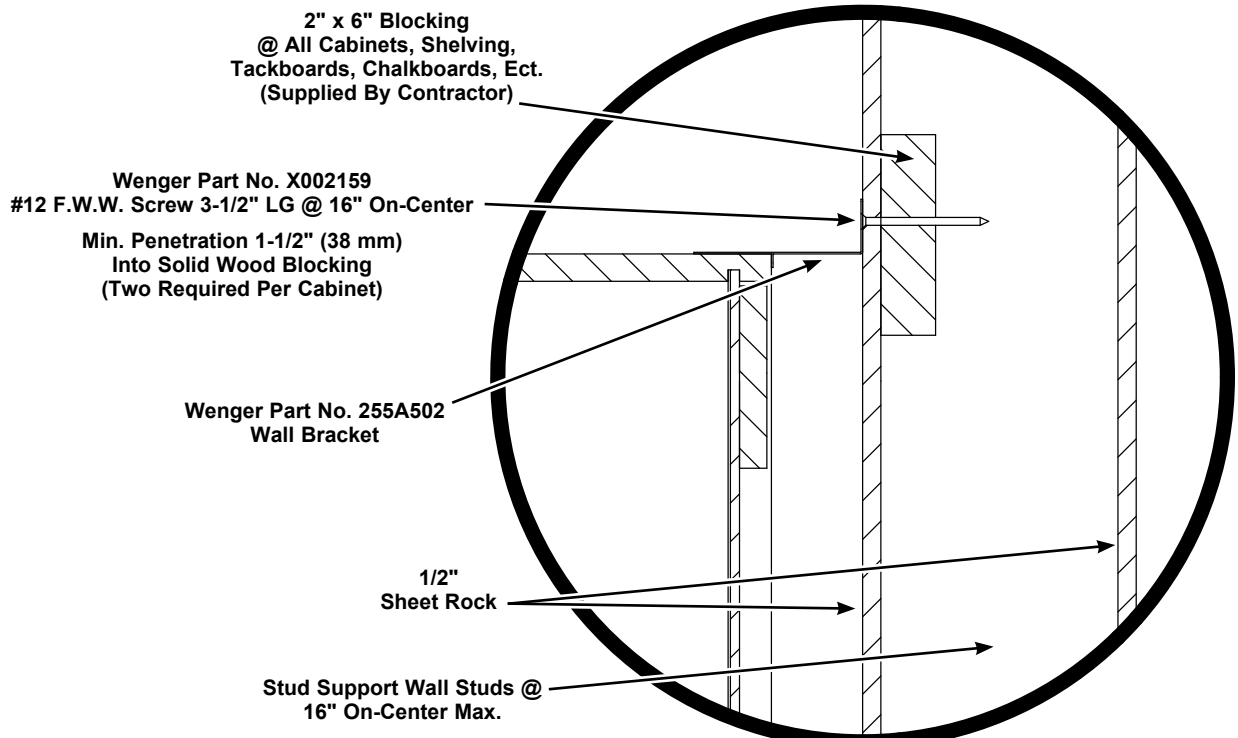


Wall Anchor - C.M.U. Bracing
AcoustiCabinets

Wall Anchoring with 2" x 6" Wood Bracing

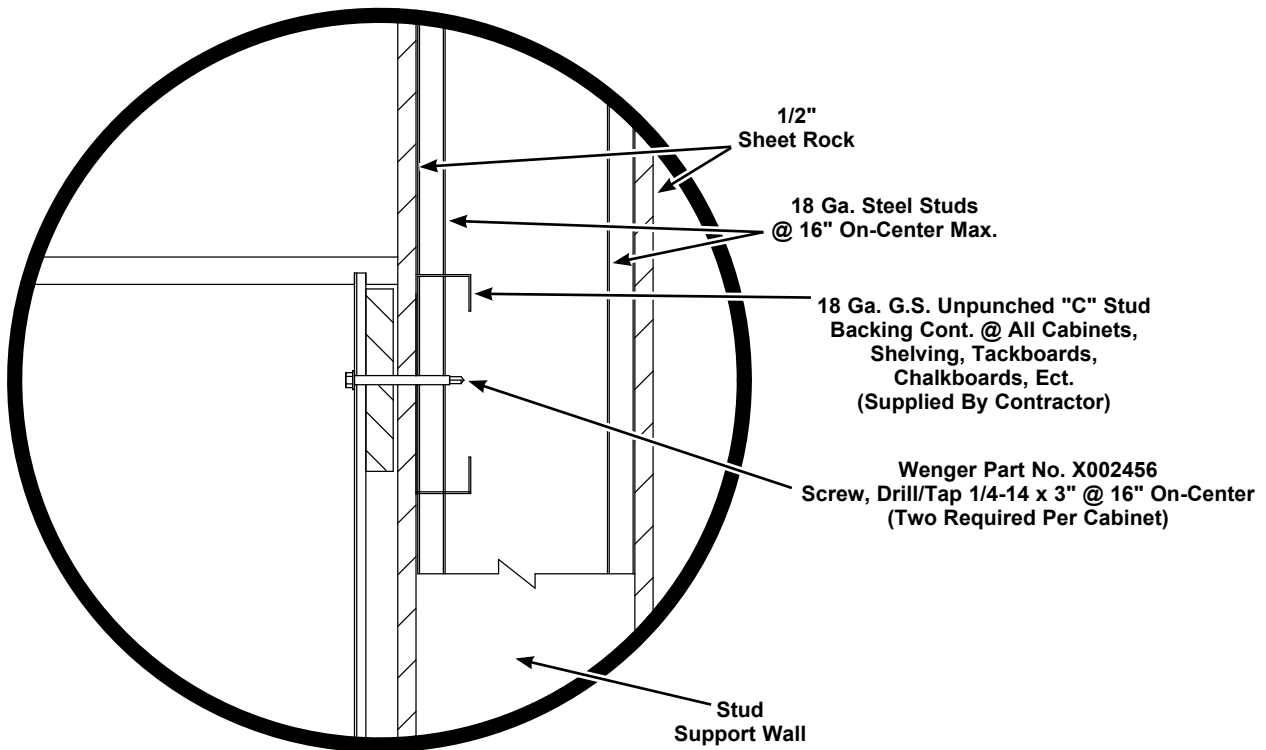


Wall Anchor - 2" x 6" Wood Bracing
UltraStor

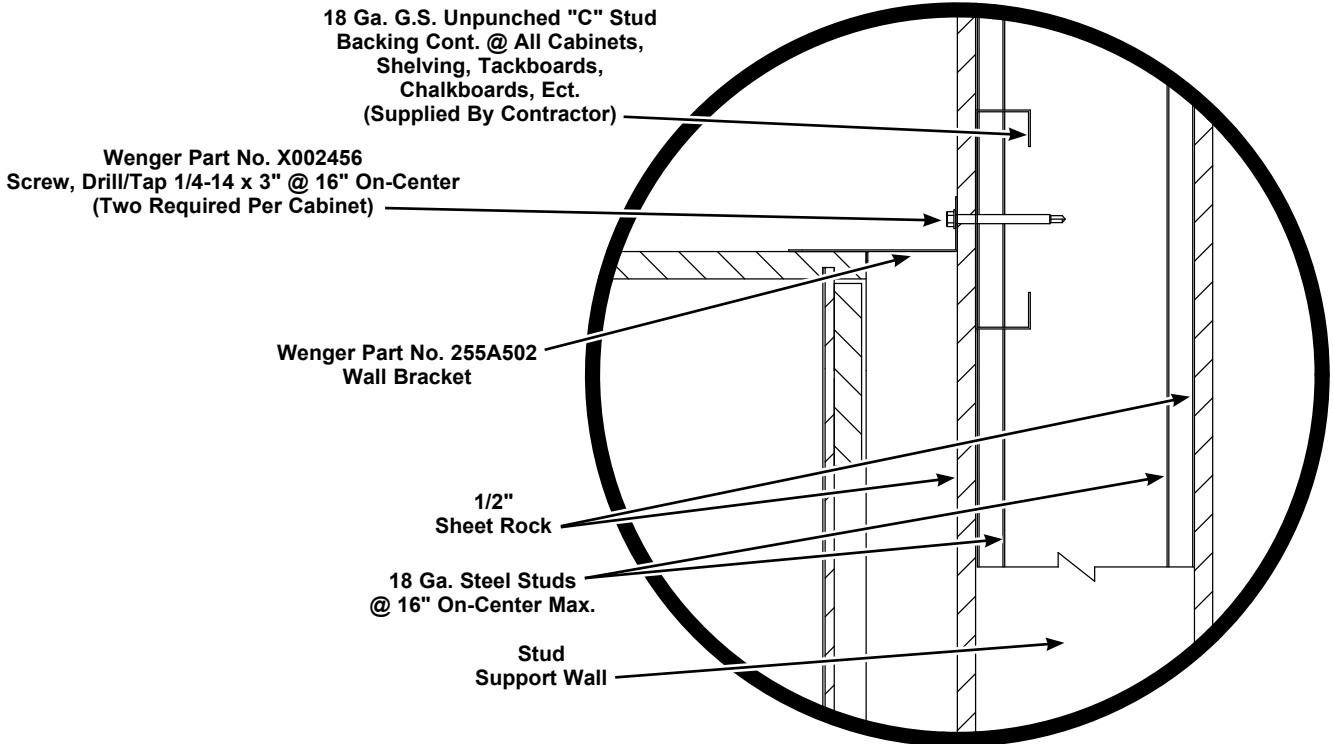


Wall Anchor - 2" x 6" Wood Bracing
AcustiCabinets

Wall Anchoring with Metal Stud Bracing



**Wall Anchor - Metal Stud Bracing
UltraStor**

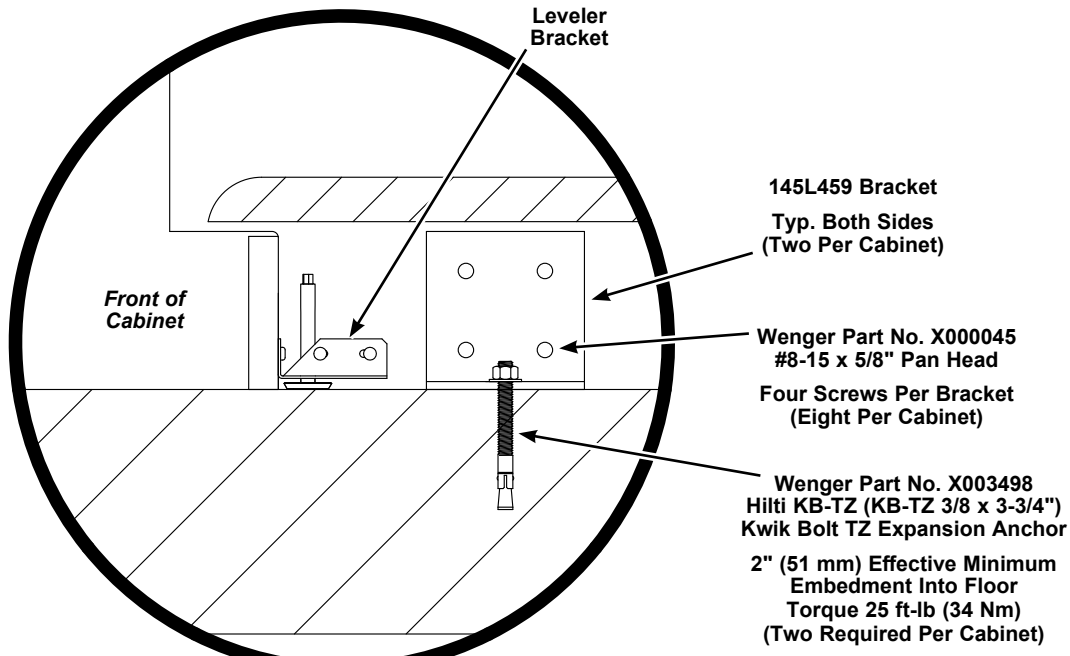


**Wall Anchor - Metal Stud Bracing
AcustiCabinets**

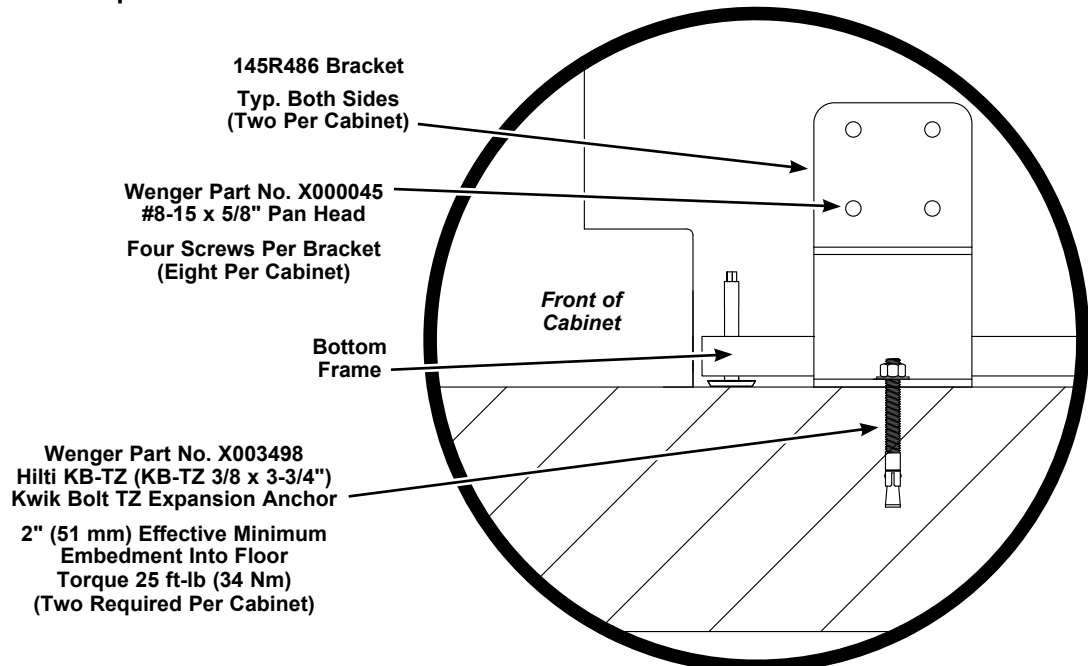
Floor Anchoring

Wenger Part No. X003498 Expansion Anchors should be secured using the following procedure:

1. Use a 3/8" drill bit to pre-drill each hole 1/2" to 1" (13 to 25 mm) deeper into the floor than the expansion anchor length (to allow for dust and debris while drilling).
2. Remove any debris residue from the pilot hole.
3. Drive the expansion anchor through the 145L459 or 145R486 floor bracket and into the pilot hole.
4. Tighten the expansion anchor to the specified torque.



Floor Anchor
All Cabinets Except Cabinet #41



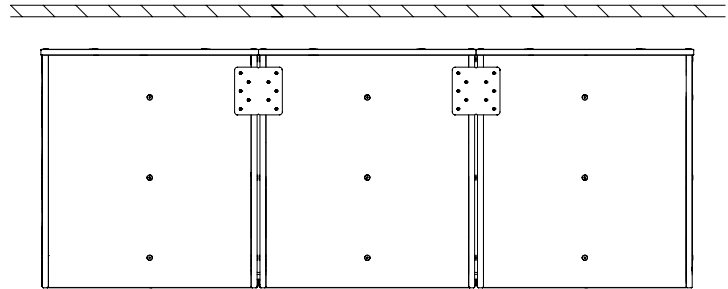
Floor Anchor
For Cabinet #41

Seismic Top Plate for Single Row Island Mount Cabinets

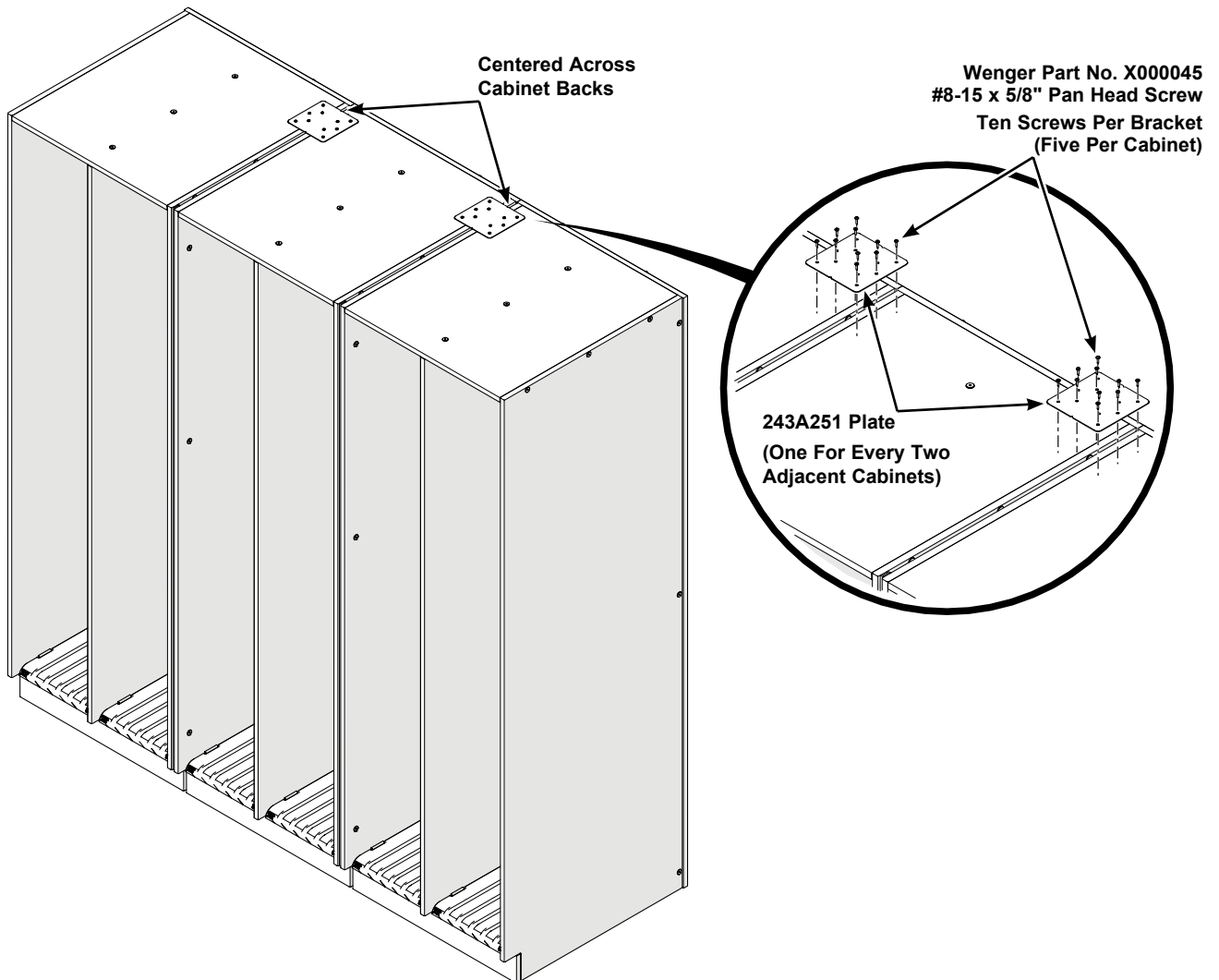
Connect the tops of adjacent cabinet backs together.
See the next page for flush front island mount cabinets.

⚠ IMPORTANT
A maximum of three consecutive cabinets can be away from the wall per bank.

1. Center one UltraStor seismic island top plate across the backs of two adjacent cabinets as shown.
2. Attach the plate to the cabinets using ten #8-15 x 5/8" pan head screws (five per cabinet).



Maximum of three consecutive cabinets can be away from wall per bank



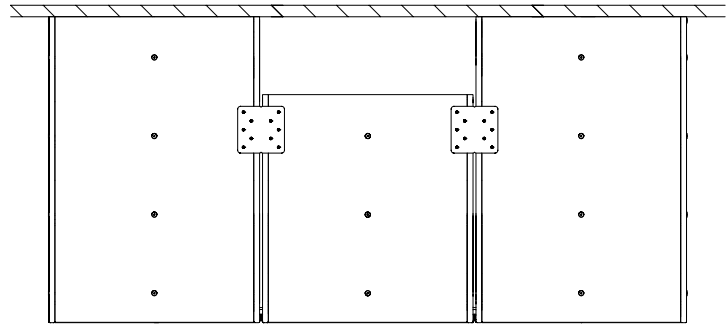
Seismic Top Plate for Flush Front Island Mount Cabinets

Connect the tops of adjacent cabinet backs together.
See the next page for flush front island mount cabinets.

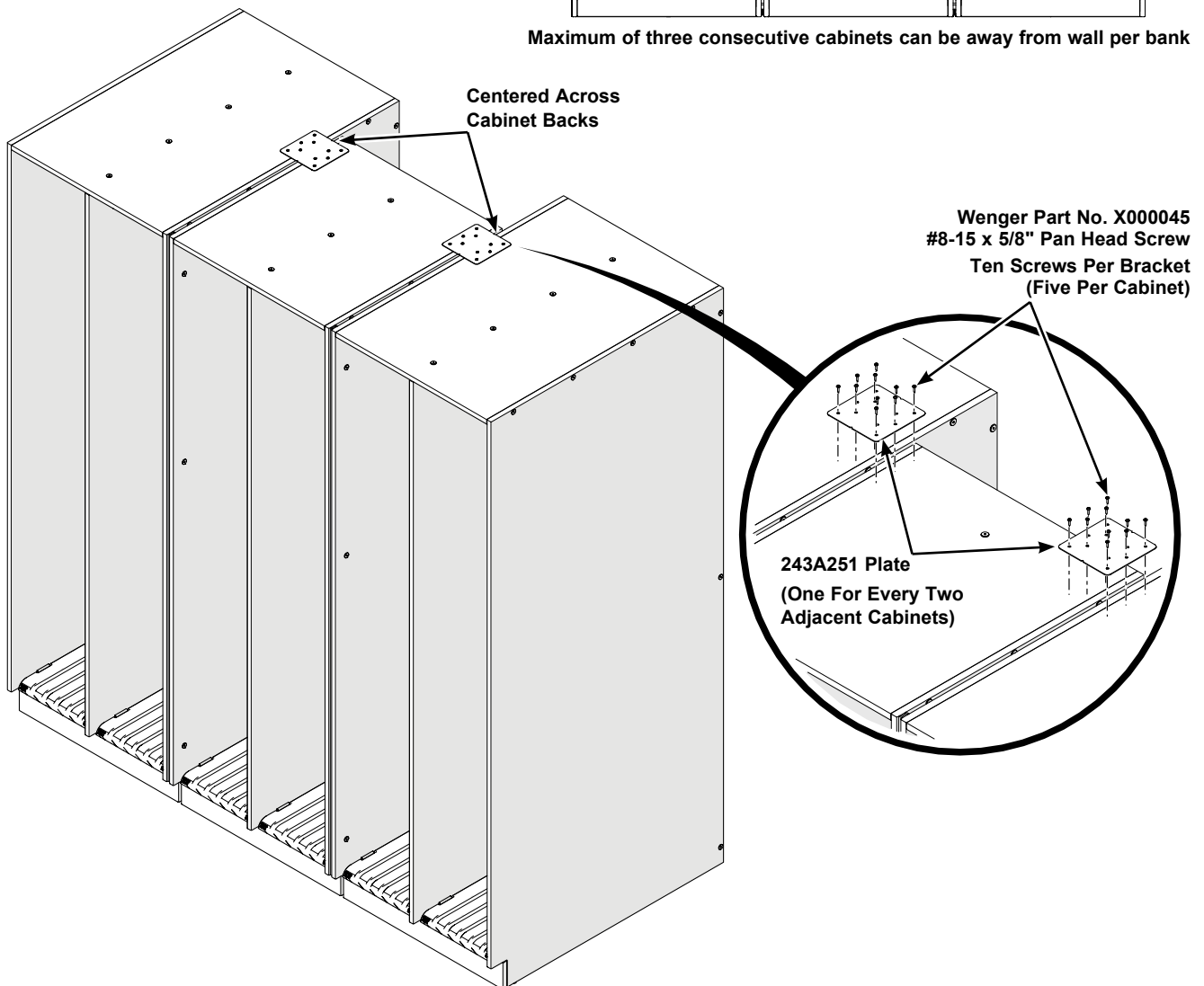
⚠ IMPORTANT

A maximum of three consecutive cabinets can be away from the wall per bank.

1. Center one UltraStor seismic island top plate across the backs of two adjacent cabinets as shown.
2. Attach the plate to the cabinets using ten #8-15 x 5/8" pan head screws (five per cabinet).



Maximum of three consecutive cabinets can be away from wall per bank

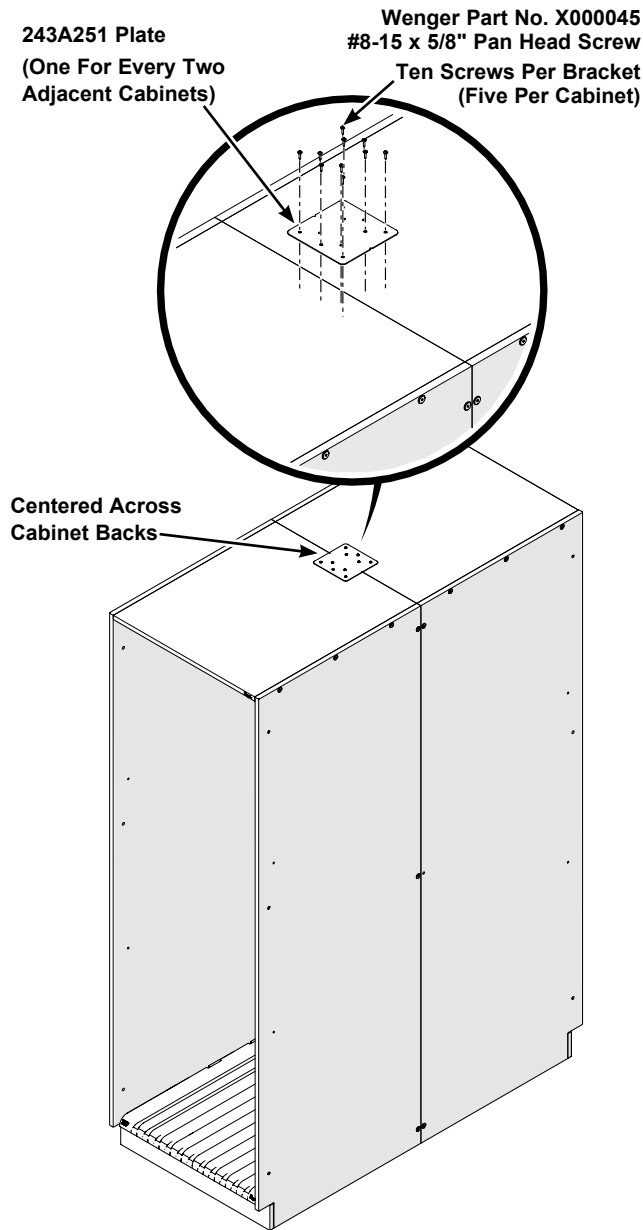


Seismic Top Plate for Back-to-Back Island Mount Cabinets

Connect the tops of adjacent cabinet backs together:

UltraStor Cabinets

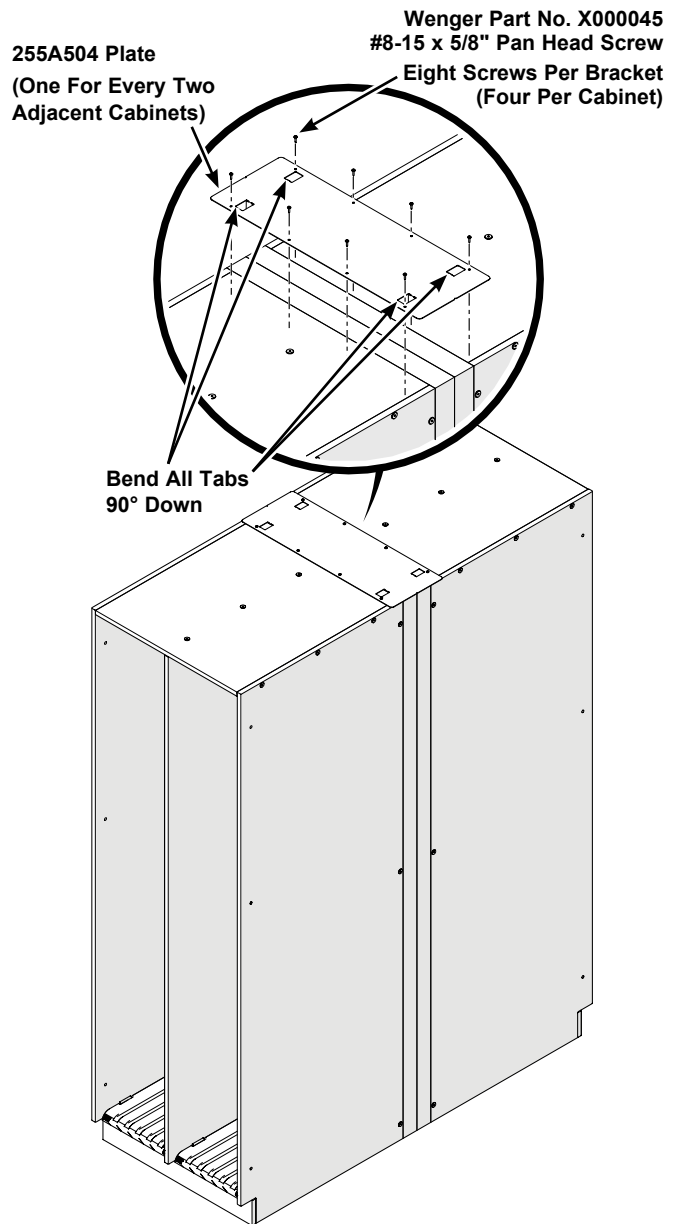
1. Center one UltraStor seismic island top plate across the backs of two adjacent cabinets as shown.
2. Attach the plate to the cabinets using ten #8-15 x 5/8" pan head screws (five per cabinet).



Seismic Top Plate for Island Mount for UltraStor Cabinets

AcoustiCabinets

1. On each AcoustiCabinet seismic island top plate, bend the four tabs 90° down.
2. Center one AcoustiCabinet seismic island top plate across the backs of two adjacent cabinets as shown.
The tabs on the bracket must be flush against the backs of both cabinets to maintain 5" (127 mm) of spacing for the insulation.
3. Attach the plate to the cabinets using eight #8-15 x 5/8" pan head screws (four per cabinet).



Seismic Top Plate for Island Mount for AcoustiCabinets