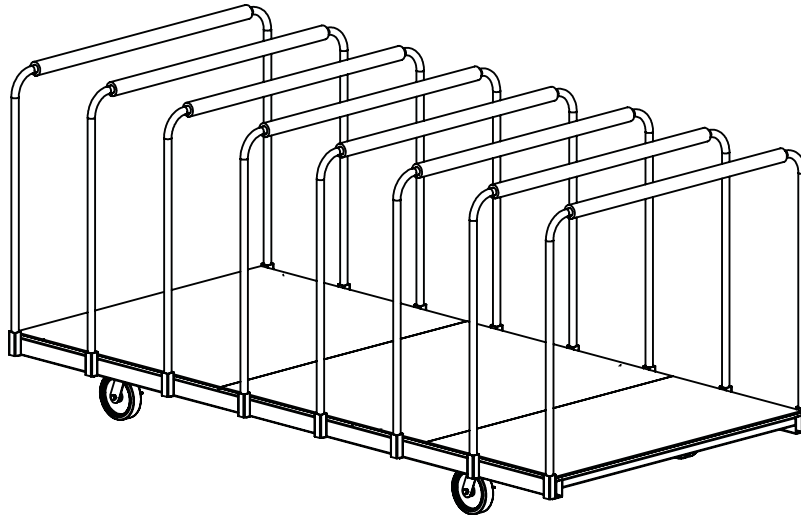




Assembly Instructions and Owner's Manual Ceiling Storage Cart

Your Performance Partner



CONTENTS

Important User Information	2
General	2
Manufacturer	2
Ceiling Storage Cart Intended Use	2
Safety	3
Warranty	4
Required Tools	4
Fasteners and Parts List	4
Ceiling Storage Cart	5
Ceiling Storage Cart Assembly	5
Preparing the Ceiling Panels for loading	5-6
Loading the Ceiling Storage Cart	6-7
Maintenance	8

- Note:** Please read and understand this manual before assembling or using the Ceiling Storage Cart.
- Note:** Refer to the illustrations on the following pages. If you need additional information about your Ceiling Storage Cart, write, telephone or email Wenger Corporation at the number or address below.
- Note:** It is recommended that two people work together for some installation steps.

IMPORTANT USER INFORMATION

GENERAL

Copyright © 2008 by Wenger Corporation

All rights reserved. No part of the contents of this manual may be reproduced, copied, or transmitted in any form or by any means including graphic, electronic, or mechanical methods or photocopying, recording, or information storage and retrieval systems without the written permission of the publisher, unless it is for the purchaser's personal use.

Printed and bound in the United States of America.

The information in this manual is subject to change without notice and does not represent a commitment on the part of Wenger Corporation. Wenger Corporation does not assume any responsibility for any errors that may appear in this manual.

In no event will Wenger Corporation be liable for technical or editorial omissions made herein, nor for direct, indirect, special, incidental, or consequential damages resulting from the use or defect of this manual.

The information in this document is not intended to cover all possible conditions and situations that might occur. The end user must exercise caution and common sense when assembling, installing, or using Wenger Corporation products. If any questions or problems arise, call Wenger Corporation at 800-733-0393.

MANUFACTURER

The Ceiling Storage Cart is manufactured by:

Wenger Corporation
555 Park Drive
Owatonna, MN 55060
1-507-455-4100 • 1-800-733-0393
www.wengercorp.com

CEILING STORAGE CART INTENDED USE

The Ceiling Storage Cart is intended to be used inside with the following limitations.

- The Ceiling Storage Cart is not intended to be exposed for extended periods to wet and humid conditions or to severe outdoor weather conditions.
- The Ceiling Storage Cart is intended to be used on smooth indoor surfaces only.
- The Ceiling Storage Cart is intended to be used in a way that complies with the recommended load limits defined in this manual, complies with the statements of intended use in this manual, and complies with all warnings and cautions defined in this manual.
- The Ceiling Storage Cart is intended to transport a maximum load of 1600 pounds (no more than fourteen Ceiling panels).
- All personnel (including all temporary workers) installing or maintaining the Ceiling Storage Cart must read and understand this entire manual and other related instructions.

SAFETY

GENERAL

Throughout this manual you will find cautions and warnings which are defined as follows.

- **WARNING** means that failure to follow the instruction may result in serious injury or death.
- **CAUTION** means that failure to follow the instruction may result in serious injury or damage to property.

Note: Read all of these safety instructions before setting up or taking down ceiling components.

Note: Failure to comply with warnings and cautions in this document can result in damage to property or serious injury.

ASSEMBLY

Warning! *Always make sure that all personnel working on the Ceiling Storage Cart read and understand this manual. Failure to observe this warning can result in damage to property or serious injury.*

Warning! *Always wear safety glasses and safety shoes and use heavy work gloves when working on the Ceiling Storage Cart. Failure to observe this warning can result in serious injury.*

CART USAGE

Warning! *Some Cart assembly steps require that two or more persons work together. Some components are heavy and are difficult to handle alone. Failure to observe this warning can result in damage to property or serious injury.*

Warning! *Never place more than fourteen ceiling panels onto a Storage Cart. The maximum total load should not exceed 1600 pounds. Failure to observe this warning can result in damage to property or serious injury.*

Warning! *Always fasten Ceiling Panels into place with a Strap before moving the Cart loaded with ceiling panels. Failure to observe this warning can result in damage to property or serious injury.*

Warning! *Using the Ceiling Storage Cart on floor surfaces that are not level or that have rough and uneven areas can result in an unsafe condition. Make sure that all four casters remain in contact with the floor. Failure to observe this caution can result in Carts not remaining in place, not being stable, and possibly not being safe when moving.*

Warning! *Never stand on the Cart when working on it or moving components. Failure to observe this warning can result in serious injury or damage to property.*

Warning! *Never place the Cart sideways on an inclined ramp — a loaded Cart can tip over when placed sideways on an inclined ramp. Failure to observe this warning can result in damage to property or serious injury.*

Warning! *Two people must always work together when moving a loaded Cart (one person pushing at the rear and one person guiding the Cart at the front). Failure to observe this warning can result in damage to property or serious injury.*

Warning! *Do not stand or place hands or feet in the Cart pathway. Failure to observe this warning can result in serious injury.*

Warning! *Avoid moving loaded Carts on ramps steeper than a one-foot rise or drop in a 12-foot horizontal distance. Failure to observe this warning can result in serious injury.*

Warning! *Always move slowly up or down a ramp. Make sure the front of the ceiling panels are on the down side of the ramp. Back the cart down hill. Failure to observe this warning can result in serious injury.*

WARRANTY

The Wenger Storage Cart is guaranteed free of defects in materials and workmanship for five full years.

Our guarantee assures you of either a full refund or repair or replacement of the defective materials or workmanship without charge, at the discretion of our Customer Service Department. Just call a Customer Service Representative at 1-800-887-7145 and state the reason you are dissatisfied. If a product return is necessary, your representative will issue a return authorization. This is your sole remedy for breach of this warranty.

Should you have a question or problem with any Wenger product, don't hesitate to call, even if the product is past warranty. It's important to us that all our customers be satisfied.

This is the sole warranty made by Wenger. Wenger disclaims all other warranties, including the warranties of merchantability and fitness for a particular purpose, as well as all liability for incidental, consequential, special, and indirect damage. Wenger liability for direct damages shall be limited to the amount you paid for the product involved. Wenger reserves the right to make product changes without obligation to incorporate such changes into products previously sold.

Some states do not allow the exclusion or limitation of damages or warranties, so the above may not apply to you. This warranty gives you specific legal rights. You may also have other rights which vary from state to state.

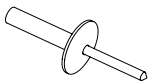
REQUIRED TOOLS

- Electric Drill
- Pop Rivet Gun
- 7/8" Drill Bit
- Tape Measure
- Ladder

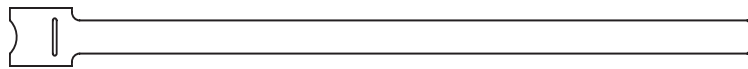
FASTENERS AND PARTS LIST

FASTENERS

The fasteners shown below are contained in the Hardware Pack. Any fasteners remaining when an the installation is complete should be discarded.

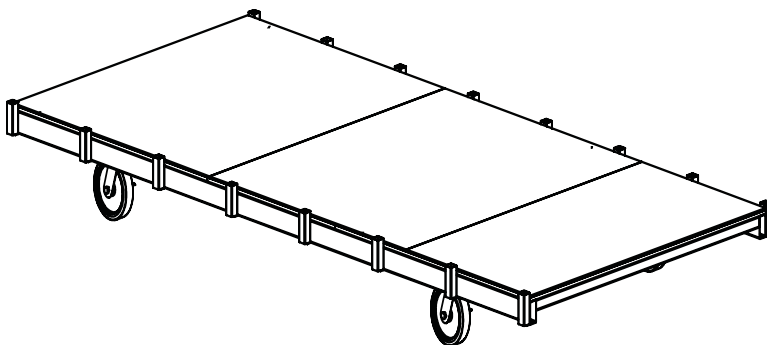


3/16 Rivet (14)

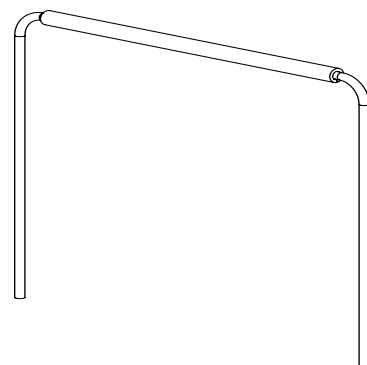


Velcro Strap (14)

PARTS LIST



Ceiling Storage Cart Base (1)



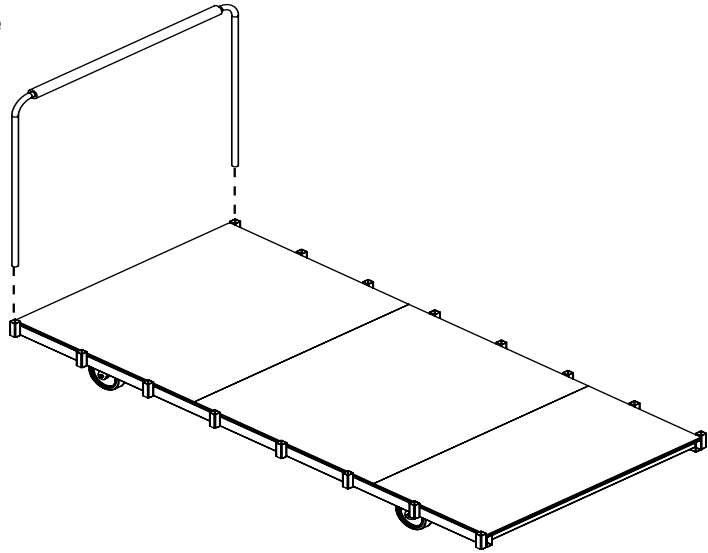
Ceiling Storage Cart Upright (8)

CEILING STORAGE CART

ASSEMBLING THE UPRIGHTS TO THE CART

1. To assemble the uprights to the cart, align and insert the ends of the upright into the holes along the side edges of the cart.
2. Repeat step 1 to assemble the remaining uprights.

Note: If loading ceiling panels onto the cart, install only the first upright. Refer to the loading instructions.

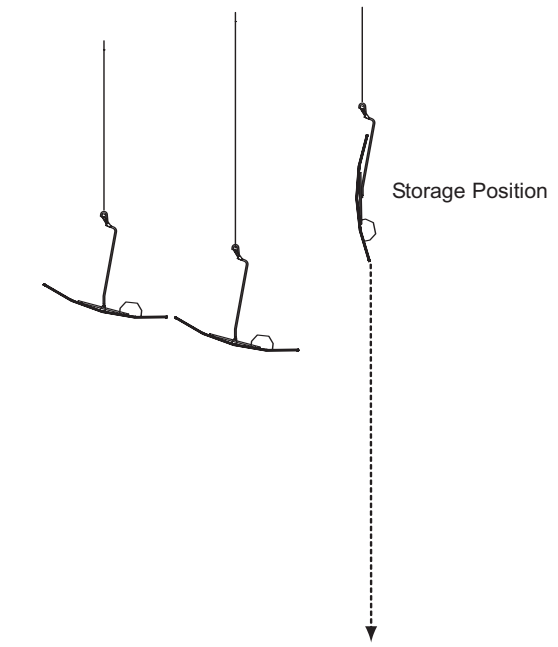


PREPARING THE CEILING PANELS FOR LOADING ONTO THE CART

Prior to loading the ceiling panels onto the Ceiling Storage Cart, a velcro strap must be fastened to each panel. This will prevent the hanger arm from falling against another ceiling panel and causing damage.

To attach the velcro strap to the ceiling panel

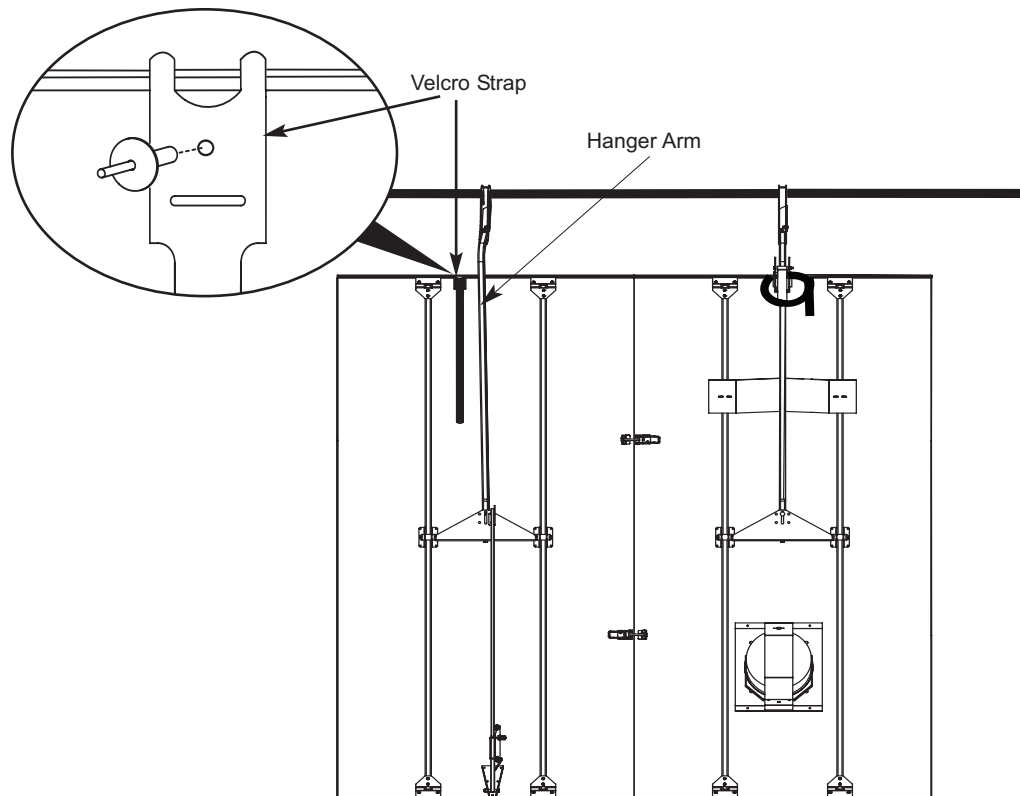
1. The ceiling panels must be in the vertical storage position.
2. The ceiling panel must be down at the stage level.



CEILING STORAGE CART

PREPARING THE CEILING PANELS FOR LOADING ONTO THE CART (CONTINUED)

3. Using a 7/32" drill bit, drill a hole through the top of the velcro strap 1" from the top edge of the aluminum extrusion.
4. Attach the velcro strap to the ceiling panel using a 3/16 rivet.
5. Wrap the velcro strap around the hanger arm and adhere it through the slot in the strap to prevent the hanger arm from falling down.



LOADING THE CEILING STORAGE CART

Warning! *Never place more than fourteen ceiling panels onto the Storage Cart. Failure to comply with this warning can result in serious injury or damage to property.*

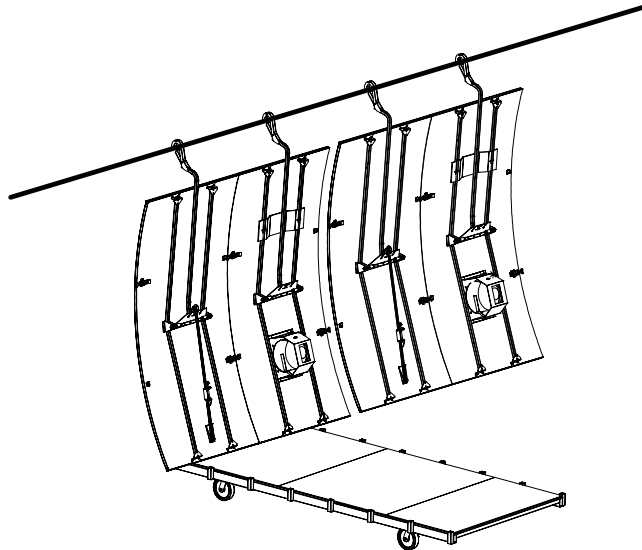
Warning! *Always secure the hanger arm on each ceiling panel before loading on the cart. Failure to comply with this warning can result in serious injury or damage to property.*

Warning! *The maximum evenly distributed load for the Storage Cart is 1,600 pounds. Failure to comply with this warning can result in serious injury or damage to property.*

CEILING STORAGE CART

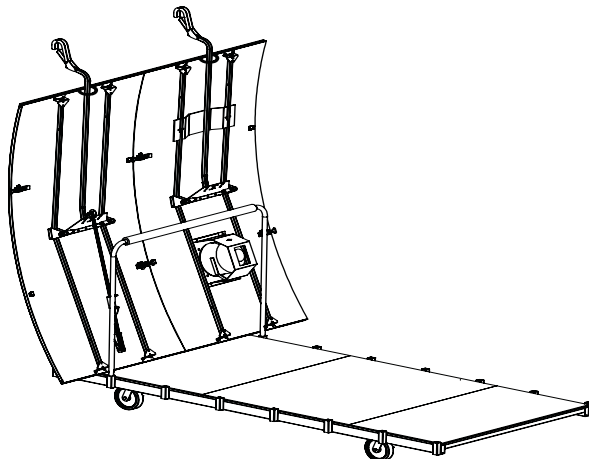
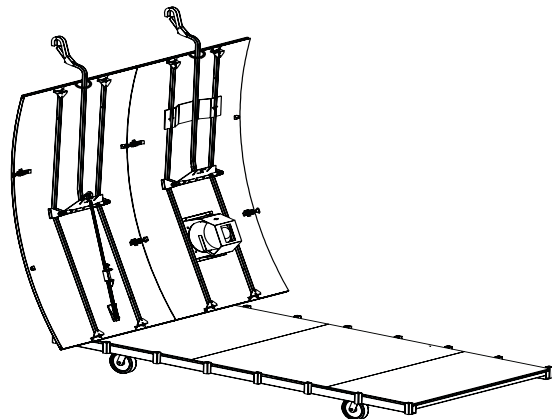
LOADING THE CEILING STORAGE CART (CONTINUED)

1. Starting on the desired end of the ceiling row, separate the last two ceiling panels from the remaining ceiling panels in the row. To separate, unlatch the latches holding the panels together and pull them apart approximately two inches.
2. Center the Ceiling Storage cart under the two-panel section with the upright on the finished side of the ceiling panel section.
3. Lock the casters on the cart.



CAUTION
The next steps requires two people to avoid injury.

4. Lower the ceiling panel section onto the Ceiling Storage Cart.
5. Unhook the hanger arm from the pipe batten and the electric cord for the lighting from electrical source
6. Use the velcro strap to secure the hanger arm to the panel.
7. Unload weight from the arbor to balance the line set.
8. Insert the next upright into the cart.
9. Repeat steps 1-8 until the cart is completely loaded.



MAINTENANCE

CLEANING

1. Clean the Storage Cart with a mild, non-abrasive soap with warm water and a clean, soft cotton clothe.
2. Never use an abrasive or harsh cleaning agent or a chemical cleaning agent.

ROUTINE MAINTENANCE

1. Immediately replace casters that do not roll freely or swiveling casters that do not turn freely.
2. Make sure that all fasteners are tight and that there are no missing locknuts or screws.