



Contents

Important User Information	2	Chair Assembly	3
General	2	Chair Options	4
Manufacturer	2	Swivel Lock Option	4
Intended Use	2	Seat Angle Option	4
Warranty	2		
Hardware	2		

Visit the Class Piano Workstation web page at wengercorp.com for more information.

Note: Please read and understand these instructions before starting the assembly.

Note: If you need additional information, contact Wenger Corporation using the information below.

Important User Information

General

Copyright © 2022 by Wenger Corporation

All rights reserved. No part of the contents of this manual may be reproduced, copied, or transmitted in any form or by any means including graphic, electronic, or mechanical methods or photocopying, recording, or information storage and retrieval systems without the written permission of the publisher, unless it is for the purchaser's personal use.

Printed and bound in the United States of America.

The information in this manual is subject to change without notice and does not represent a commitment on the part of Wenger Corporation. Wenger Corporation does not assume any responsibility for any errors that may appear in these instructions.

In no event will Wenger Corporation be liable for technical or editorial omissions made herein, nor for direct, indirect, special, incidental, or consequential damages resulting from the use or defect of these instructions. The manufacturer reserves the right to change this product at any time.

The information in this document is not intended to cover all possible conditions and situations that might occur. The end user must exercise caution and common sense when assembling or installing Wenger Corporation products. If any questions or problems arise, call the Wenger Corporation at (800) 4WENGER (493-6437) or +1-507-455-4100 worldwide.

Manufacturer

The Conductor's Chair is manufactured by:

Wenger Corporation
555 Park Drive
Owatonna, MN 55060
(800) 4WENGER (493-6437) • +1 (507) 455-4100
wengercorp.com

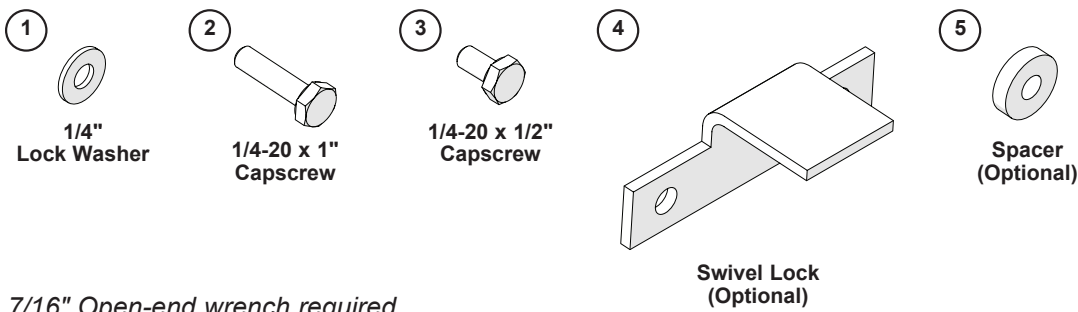
Intended Use

- This product is intended for indoor use in normal ambient temperature and humidity conditions — it must not be exposed to prolonged outside weather conditions.
- This product is intended to be assembled and used only as described in these instructions.

Warranty

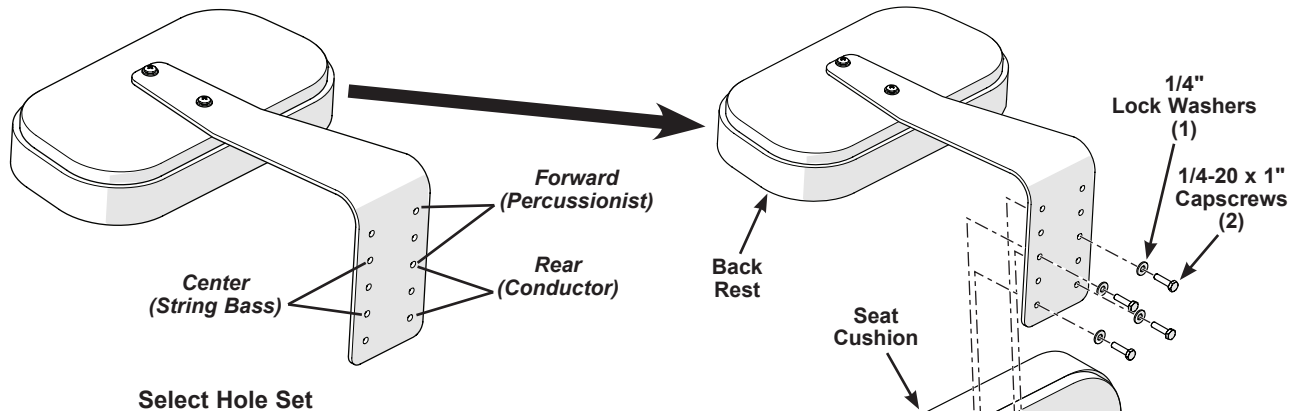
This product is guaranteed free of defects in materials and workmanship for five full years from date of shipment. A full warranty statement is available upon request.

Hardware

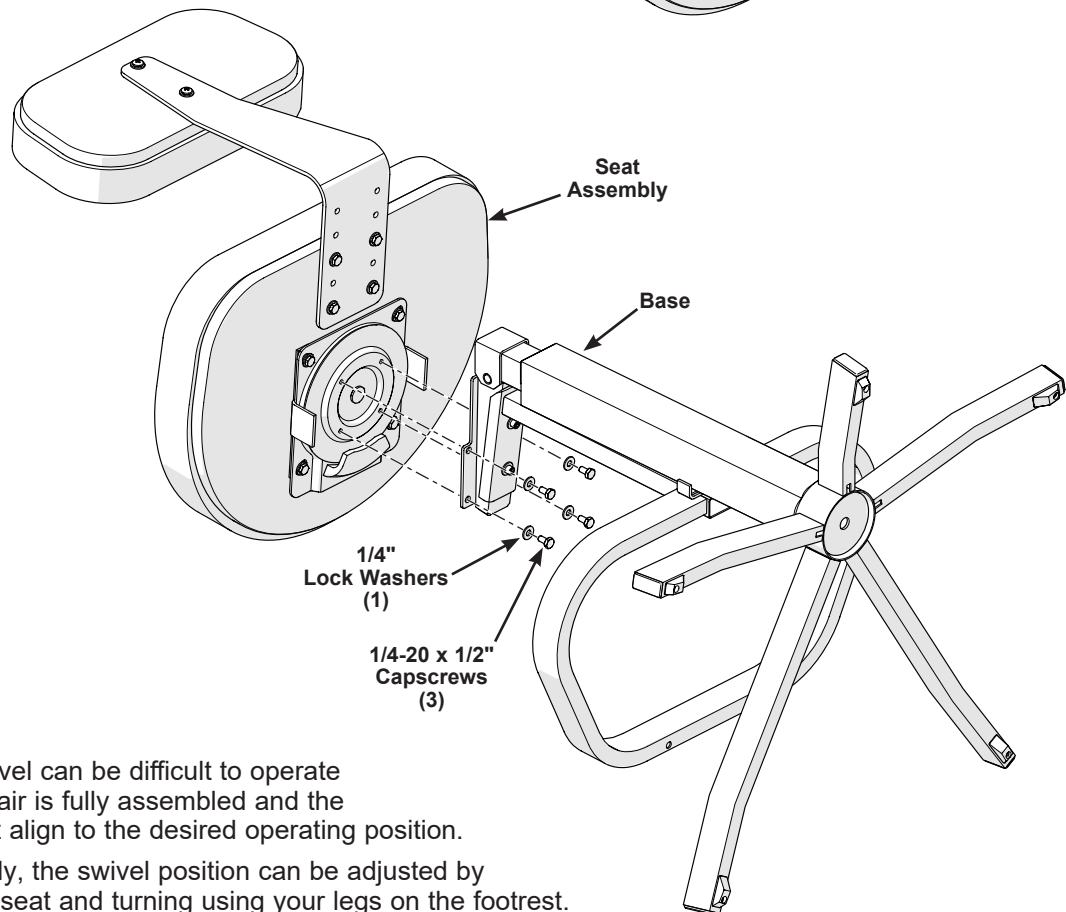


Chair Assembly

1. Select the appropriate holes for the back rest placement.



2. Attach the back rest to the bottom of the seat cushion using four 1/4" lock washers (1) and 1/4-20 x 1" cap screws (2).
If installing the swivel lock option, see the next page.
3. Attach the seat assembly to the base using four 1/4" lock washers (1) and 1/4-20 x 1/2" cap screws (3).
If installing the seat angle option, see the next page.



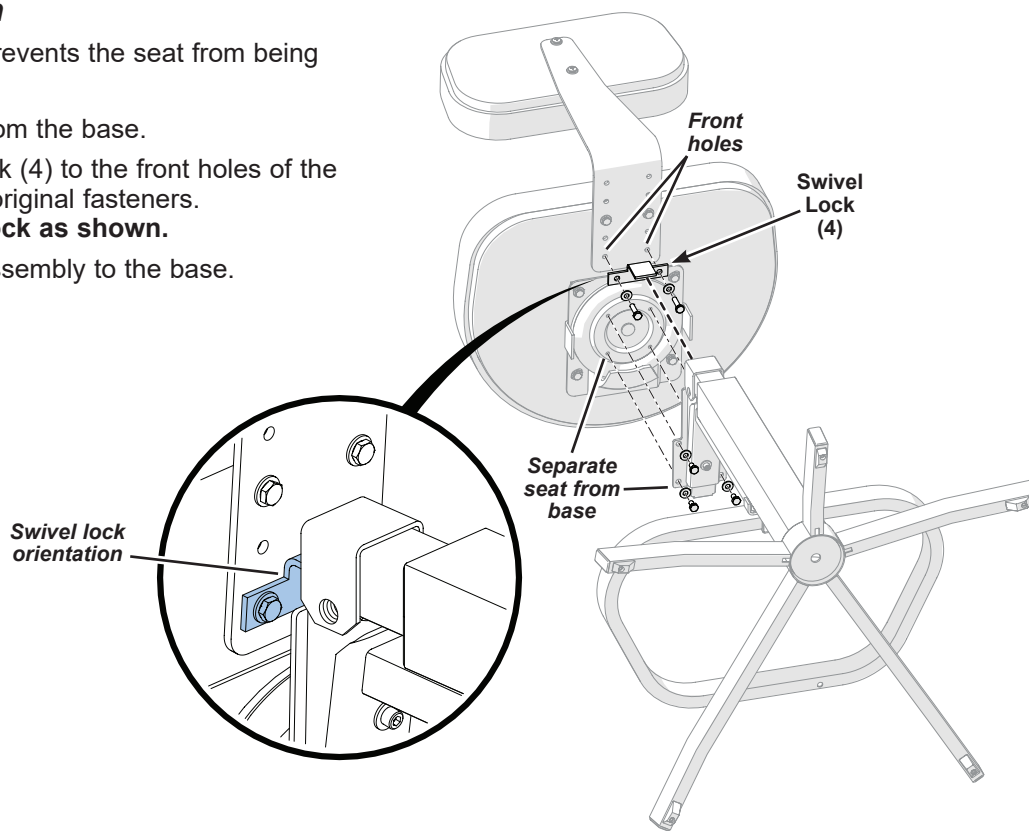
Note: The chair swivel can be difficult to operate before the chair is fully assembled and the base may not align to the desired operating position. After assembly, the swivel position can be adjusted by sitting on the seat and turning using your legs on the footrest.

Chair Options

Swivel Lock Option

The swivel lock option prevents the seat from being rotated side-to-side.

1. Separate the seat from the base.
2. Attach the swivel lock (4) to the front holes of the back rest using the original fasteners. **Orient the swivel lock as shown.**
3. Reattach the seat assembly to the base.



Seat Angle Option

The seat angle option tilts the seat forward.

1. Remove the rear two screws and washers securing the swivel base to the seat bottom.
2. Install spacers (5) between the seat bottom and flat metal bars.
3. Reattach the two rear screws and washers.

