

Corner Cabinet (#41)- Revolving Shelf Option

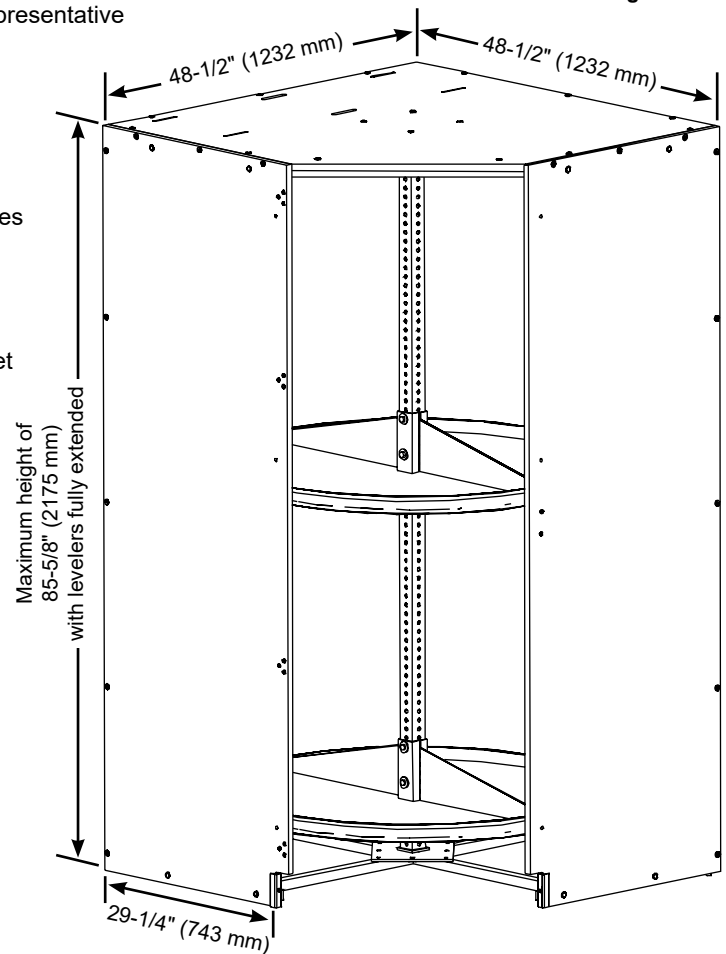


- 250A041 Basic cabinet 460 lbs (209 kg)
- Multi-purpose storage cabinet with a variety of internal storage compartment options
- Cabinet may be placed between adjacent rows of cabinets meeting in a corner, or may stand alone
- Wall panels are 3/4" (19 mm) thick industrial grade composite wood with no added formaldehyde and polyester laminate finish in Wenger standard colors
- Standard top panel is 3/4" (19 mm) thick plywood with polyester laminate finish
- Edging is 1/8" (3 mm) radiused PVC
- Door opening is 24" (610 mm) wide
- Door options:
 - Full wood door - same construction as wall panels
 - Full grille door - welded steel grille construction with powder-coat paint finish
 - No door
- Cabinets have five adjustable steel leveling glides for uneven floors
- Deflector panel is constructed of high density fiberboard with oyster laminate prevents items from falling from shelves
If FSC certified is required, deflector panel is constructed of unfinished tempered hardboard
- Ventilation holes are built-in on cabinet top panel to dissipate moisture and aid air circulation
- Bottom and top tubular steel frame adds strength to cabinet
- Includes revolving column pack 145R769
- Includes revolving frame pack 145R765
- UL GREENGUARD Certified - Product certified for low chemical emissions: ul.com/gg - UL 2818
- Environmental attributes and LEED compliance for this product can be found at www.wengercorp.com/GREEN or by contacting your Wenger representative
- Ten-year warranty
- U.S. Patent Number: 6,991,305

Internal Storage Options

- Revolving shelf 145R770
 - Shelf made of 12-gauge steel in powder-coat paint finish
 - Attaches to revolving center post that contains adjustable holes
 - Cabinet will hold up to six 360° shelves
- Garment ring 145R771
 - Includes one set of rings made of 5/8" (16 mm) diameter steel rod in powder-coat paint finish, attaches to center post
 - Will hold up to thirty uniforms or thirty choral robes per cabinet
 - Add a second set of rings to increase storage to hold up to thirty more uniforms (maximum of two sets)
- Flag storage
 - Includes one set of garment rings (145R771 from above)
 - A 360° bottom shelf (145R766) with carpeted pad
 - Attaches to center post
 - Will hold up to two hundred flags

Corner Cabinet with
Revolving Shelf



© 2019 Wenger Corporation
USA/2019-05/W



WENGER CORPORATION Phone 800.4WENGER (493-6437) Worldwide +1.507.455.4100 | Parts & Service 800.887.7145 | Canada Office 800.268.0148 | wengercorp.com

JR CLANCY Phone 800.836.1885 Worldwide +1.315.451.3440 | jrclancy.com | 7041 Interstate Island Road | Syracuse NY 13209-9713

GEARBOSS Phone 800.493.6437 | email gearboss@wengercorp.com | gearboss.com | 555 Park Drive, PO Box 448 | Owatonna MN 55060-0448