

BEFORE YOU BEGIN

Note: Please read and understand these instructions before assembling the parts.

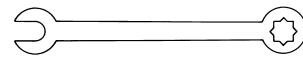
Note: Remove all items from the shipping cartons and arrange them in a convenient location. Refer to the illustrations on the following pages. If you need additional information, contact the Wenger Corporation using the information below.

TOOLS REQUIRED

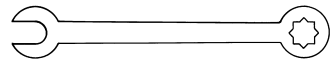
- 5/32" hex wrench:



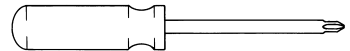
- Two 7/16" open-end wrenches:



- 9/16" open-end wrench:

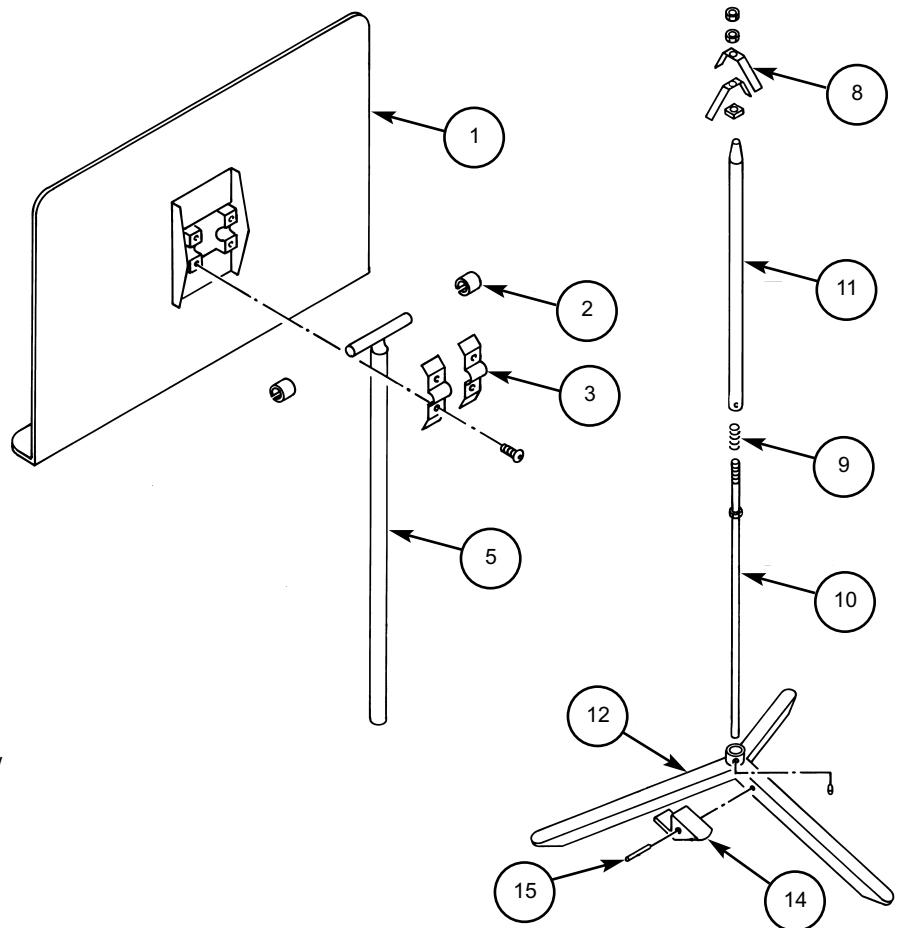


- Phillips screwdriver:

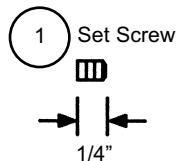
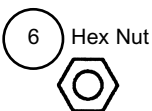
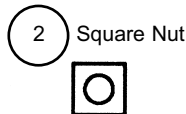
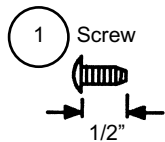


REPLACEMENT PARTS

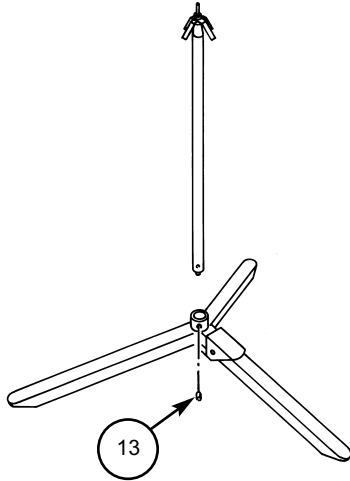
| Item | Qty. | Description |
|------|------|-------------------------------------|
| 1 | 1 | Desk assembly |
| 2 | 2 | Pivot, friction |
| 3 | 2 | Bracket, pivot |
| 4 | 4 | Screw, Phillips-head, 1/4-20 x 1/2" |
| 5 | 1 | T-tube |
| 6 | 2 | Nut, hex, 1/4-20 |
| 7 | 1 | Nut, square, 1/4-20 |
| 8 | 2 | Gripper, inner slide |
| 9 | 1 | Spring |
| 10 | 1 | Rod, center |
| 11 | 1 | Tube, inner |
| 12 | 1 | Base |
| 13 | 1 | Screw, set, 5-16 x 1/4" |
| 14 | 1 | Pedal, foot |
| 15 | 1 | Pin, spring, 3/16" |



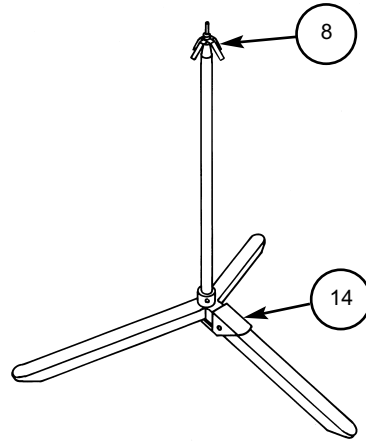
Fasteners



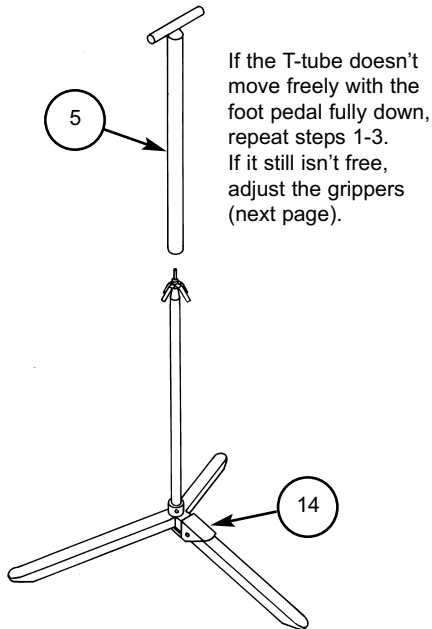
ASSEMBLY



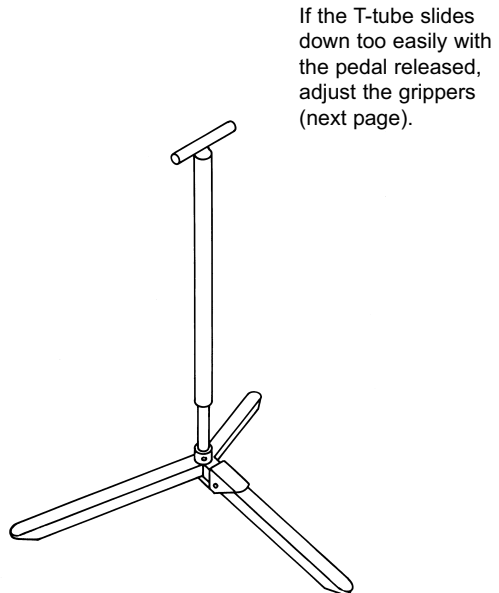
1. Loosen the set screw (13) in the base (12).
2. **Insert the inner tube assembly (6-11) into the base and push down until the pedal pushes all the way up and the tube hits the bottom of the base. Turn the tube clockwise until it stops and is tight in the base.**
3. With the hex wrench, tighten the set screw.



4. Operate the foot pedal (14). The grippers (8) should move up and down 1/2". If not, verify that the inner tube assembly is all the way down and locked into the base.



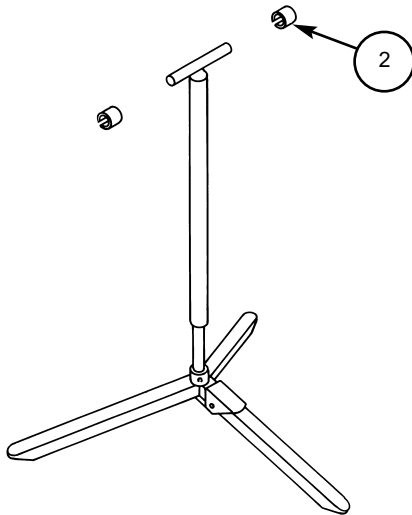
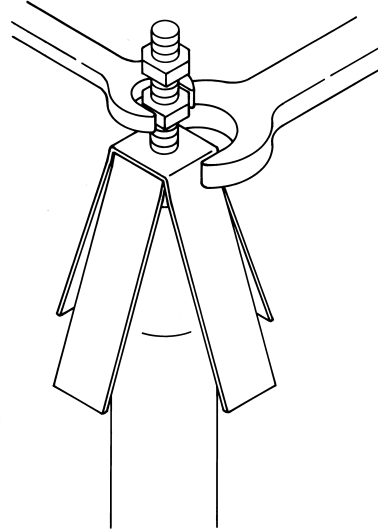
5. Fully depress that foot pedal (14) and slide the T-tube (5) over the inner tube. With the pedal fully down, the T-tube should move up and down freely.



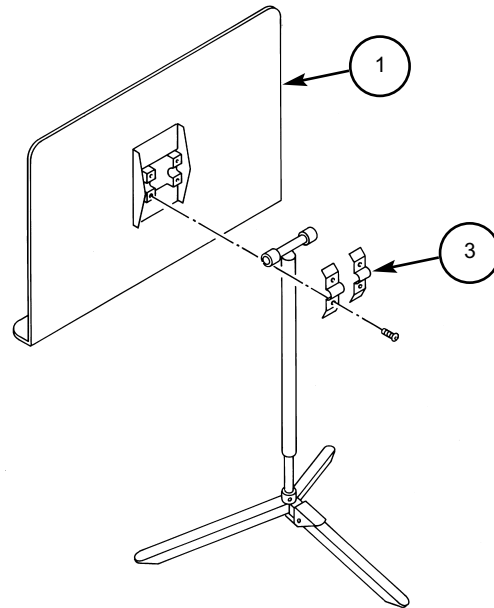
6. Release the pedal and the T-tube should be held in place by friction (the T-tube should support at least 20 pounds of force).

ASSEMBLY

7. If the unit fails step 5 or 6, adjust the grippers:
 - a. Lift the T-tube off the inner tube.
 - b. Loosen the top two hex nuts a few turns.
 - c. Turn the grippers one turn up for easier release, or one turn down if the T-tube moves too freely.
Don't allow the center rod to turn while adjusting.
 - d. **Hold the grippers, and tighten the lower hex nut against them.**
 - e. **Hold the lower hex nut, and tighten the upper hex nut against it.**
 - f. Reinstall and recheck the T-tube (step 2 to 4).



8. Slide the friction pivots (2) over the T-tube.



9. Attach the desk assembly (1) to the T-tube, using the pivot brackets (3) and screws (4).

To adjust the desk tension, tighten or loosen the four screws which hold the brackets.

CLEANING

To clean the desk:

1. Wash with cold water and mild soap.
2. To prevent water spots, dry thoroughly with a chamois or moist cellulose sponge.

Caution: Never use an abrasive or highly alkaline cleaner on the desk.