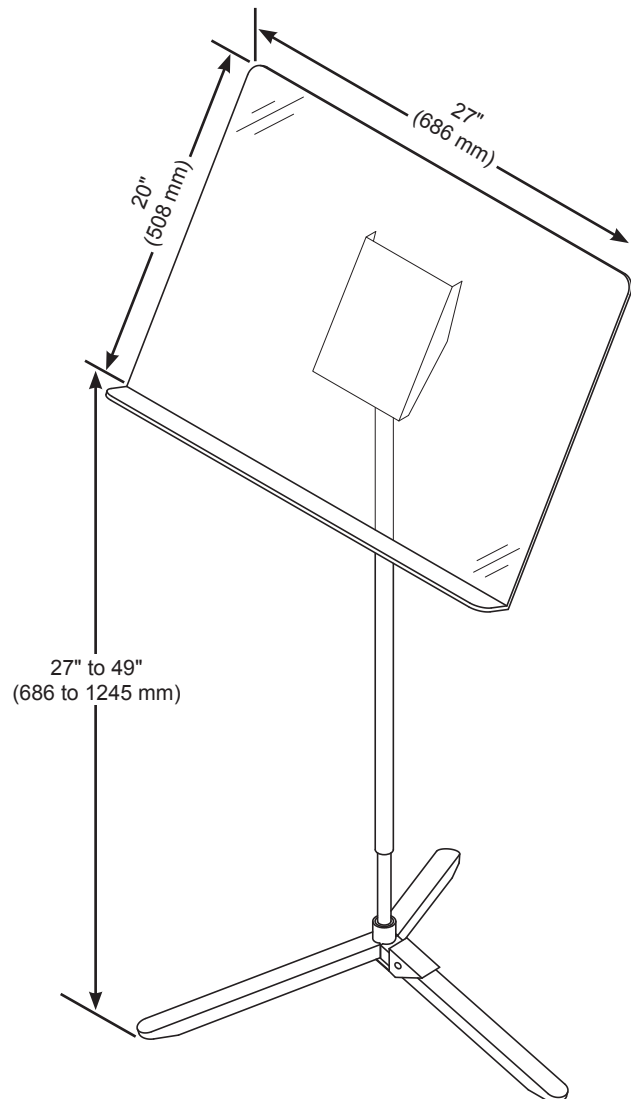


Director's Stand

Lightweight, easy-to-use, and ideal for traveling.

- 141C001 16 lbs. (7.3 kg).
- Transparent polycarbonate desk.
- Durable tripod base with black powder-coat paint finish.
- Desk measures 27" x 20" (686 x 508 mm) with 1-1/2" (38 mm) lip.
- Polycarbonate desk surface resists heavy scratching and chipping.
- Foot pedal release allows easy height adjustment.
- Broad tripod base for extra stability.
- Environmental attributes and LEED compliance for this product can be found at www.wengercorp.com/GREEN or by contacting your Wenger representative.
- Five-year warranty.



© 2017 Wenger Corporation
USA/2017-12/W

