

Contents

Important User Information	2	Safety Precautions	3
General	2	Fastener Parts List	3
Manufacturer	2	Parts List	4
Intended Use	2	Assembly	5
Warranty	2		



Visit the Diva Acoustical Shell web page at wengercorp.com for detailed instructions and videos.

Note: Please read and understand these instructions before assembling or setting up.

Note: If you need additional information, contact Wenger Corporation using the information below.

Important User Information

General

Copyright © 2018 by Wenger Corporation

All rights reserved. No part of the contents of this manual may be reproduced, copied, or transmitted in any form or by any means including graphic, electronic, or mechanical methods or photocopying, recording, or information storage and retrieval systems without the written permission of the publisher, unless it is for the purchaser's personal use.

Printed and bound in the United States of America.

The information in this manual is subject to change without notice and does not represent a commitment on the part of Wenger Corporation. Wenger Corporation does not assume any responsibility for any errors that may appear in these instructions.

In no event will Wenger Corporation be liable for technical or editorial omissions made herein, nor for direct, indirect, special, incidental, or consequential damages resulting from the use or defect of these instructions. The manufacturer reserves the right to change this product at any time.

The information in this document is not intended to cover all possible conditions and situations that might occur. The end user must exercise caution and common sense when assembling or installing Wenger Corporation products. If any questions or problems arise, call the Wenger Corporation at (800) 4WENGER (493-6437) or +1-507-455-4100 worldwide.

Manufacturer

The Diva Acoustical Ceiling Storage Cart is manufactured by:

Wenger Corporation
555 Park Drive
Owatonna, MN 55060
(800) 4WENGER (493-6437) • +1 (507) 455-4100
wengercorp.com

Intended Use

- This product is designed to store Diva triple curve acoustical ceiling row sections.
- This product is intended for indoor use in normal ambient temperature and humidity conditions — it must not be exposed to prolonged outside weather conditions.
- This product is intended to be assembled only as described in these instructions.

Warranty

This product is guaranteed free of defects in materials and workmanship for five full years from date of shipment. A full warranty statement is available upon request.

Safety Precautions

Throughout this manual you may find cautions and warnings which are defined as follows:

- **WARNING** means that failure to follow the instruction may result in serious injury or death.
- **CAUTION** means that failure to follow the instruction may result in serious injury or damage to property.

Read all of these safety instructions before assembling or using the cabinets.

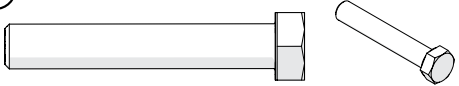
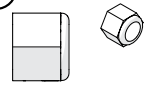

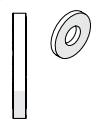
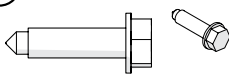
General

⚠ CAUTION	⚠ CAUTION
<i>Make sure anyone assembling or setting up the cart has read and understands these instructions.</i>	<i>Failure to comply with Warnings and Cautions in this document can result in damage to property or serious injury.</i>

Operation

⚠ CAUTION	
<p>⚠ <i>Never overload the cart. Refer to field use drawings for proper loading.</i></p> <hr/> <p>⚠ <i>Always secure ceiling row sections into place with the tie-down assembly and before moving a loaded cart.</i></p> <hr/> <p>⚠ <i>Using the cart on floor surfaces that are not level or that have rough and uneven areas can result in an unsafe condition. Make sure that all four casters remain in contact with the floor.</i></p> <hr/> <p>⚠ <i>Never stand on a cart when working on it or moving components.</i></p>	<p>⚠ <i>Never place a cart sideways on an inclined ramp — a loaded cart could tip over.</i></p> <hr/> <p>⚠ <i>Two people must always work together when moving a loaded cart. One person pushing at the rear and one person guiding the cart at the front.</i></p> <hr/> <p>⚠ <i>Cart is designed for use on flat surfaces. Do not use on sloped floors.</i></p> <hr/> <p>⚠ <i>Always move slowly up or down a ramp with the narrow end of the cart in the direction of travel.</i></p>

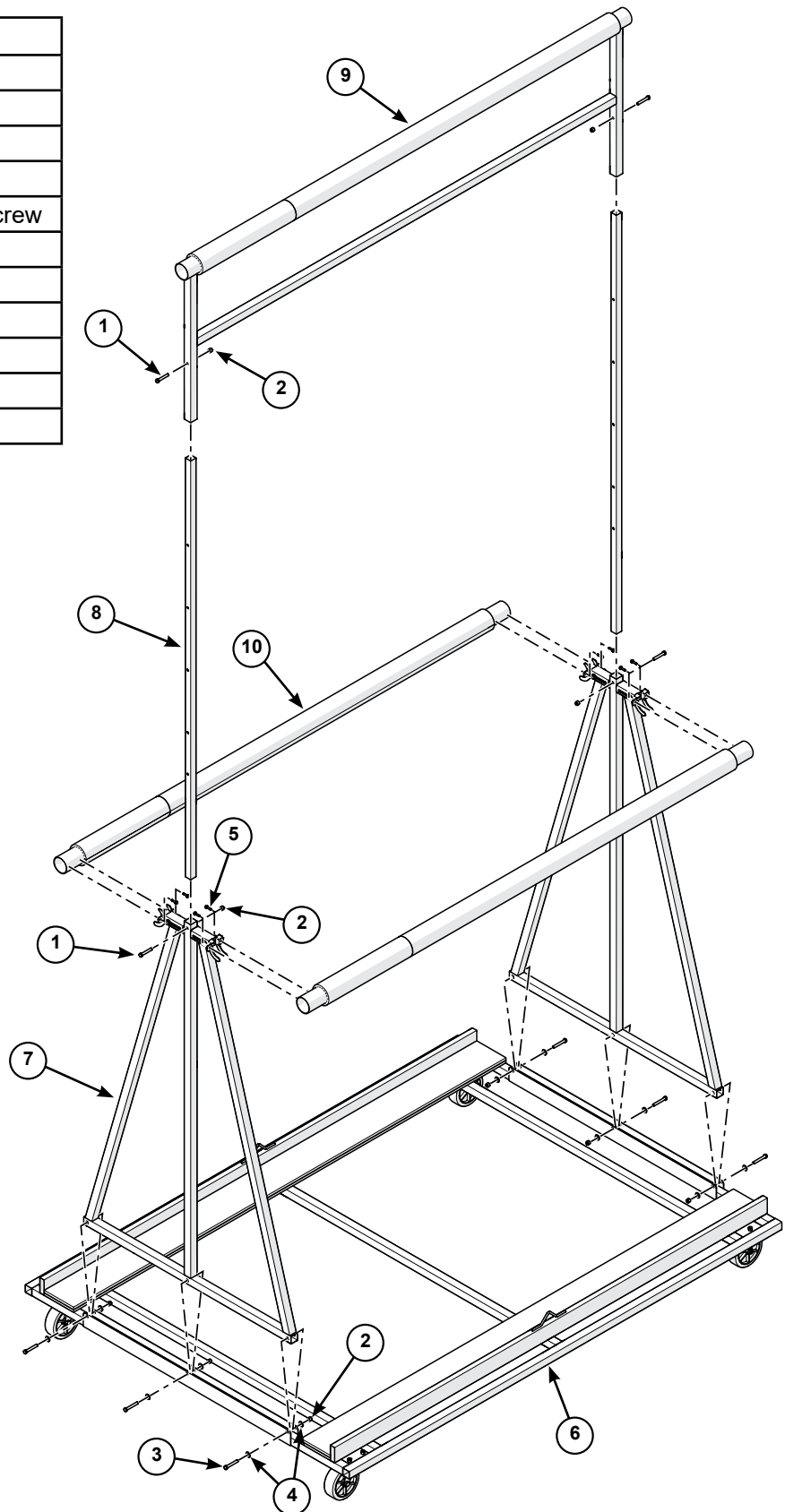
Fastener Parts List

<p>①</p>  <p>3/8-16 x 2-1/4" Capscrew</p>	<p>②</p>  <p>3/8-16 Lock Nut</p>	<p>③</p>  <p>3/8-16 x 2-1/2" Capscrew</p>
<p>④</p>  <p>5/16 ID Flat Washer</p>	<p>⑤</p>  <p>1/4-14 x 1" Self-Drilling Screw</p>	

Parts List

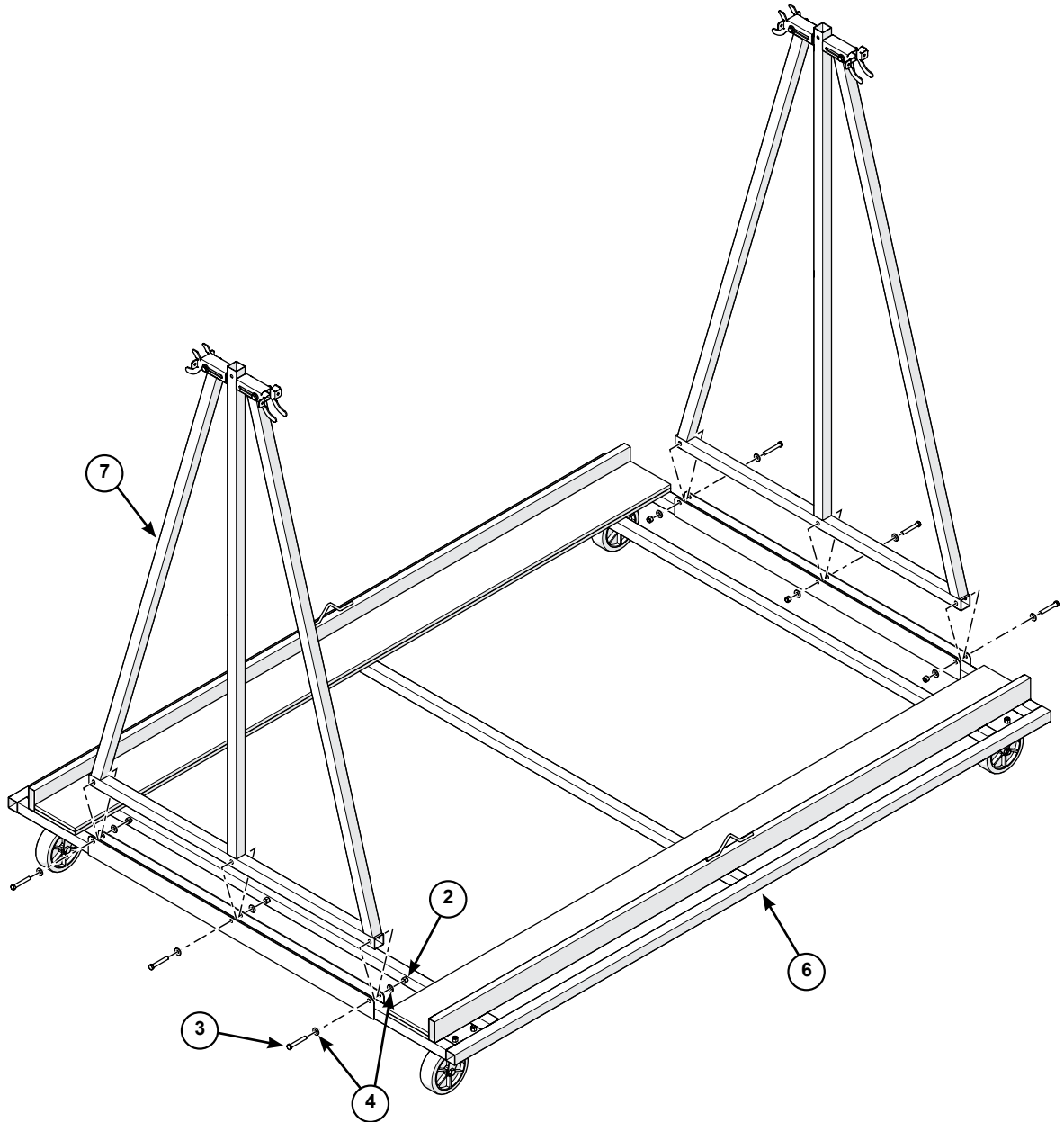
Item	Qty	Description
1*	4	3/8-16 x 2-1/4" Capscrew
2*	10	3/8-16 Lock Nut
3*	6	3/8-16 x 2-1/2" Capscrew
4*	12	5/16 ID Flat Washer
5*	8	1/4-14 x 1" Self-Drilling Screw
6	1	Cart Base
7	2	A-Frame
8	2	Mast Adjustment Tube
9	1	Mast
10	2	Mid Support

**Included in Hardware Pack*



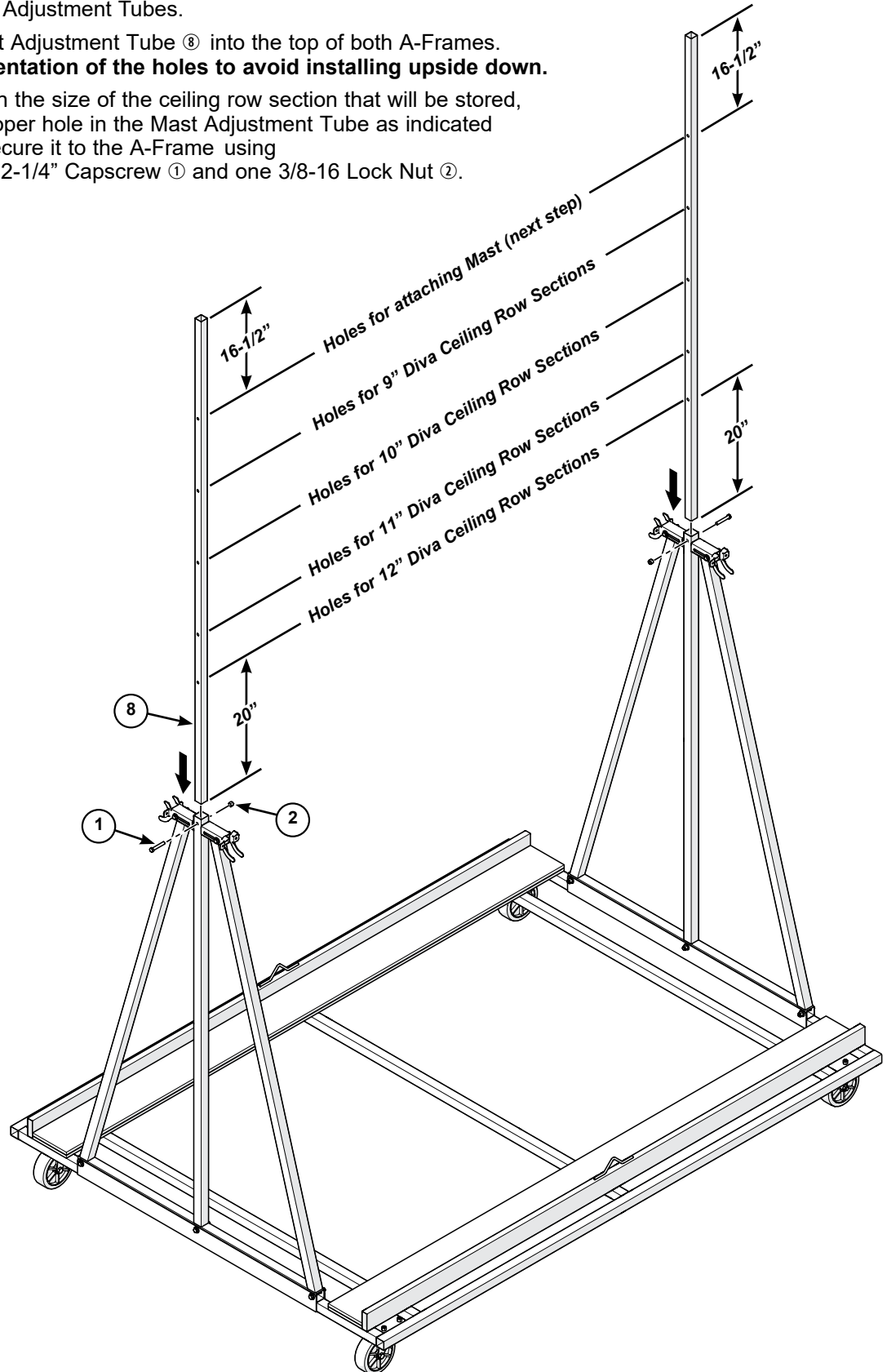
Assembly

1. At both ends of the Cart Base ⑥, attach an A-Frame ⑦ using one 3/8-16 x 2-1/2" Capscrew ③, two 5/16 ID Flat Washers ④ and one 3/8-16 Lock Nut ②.



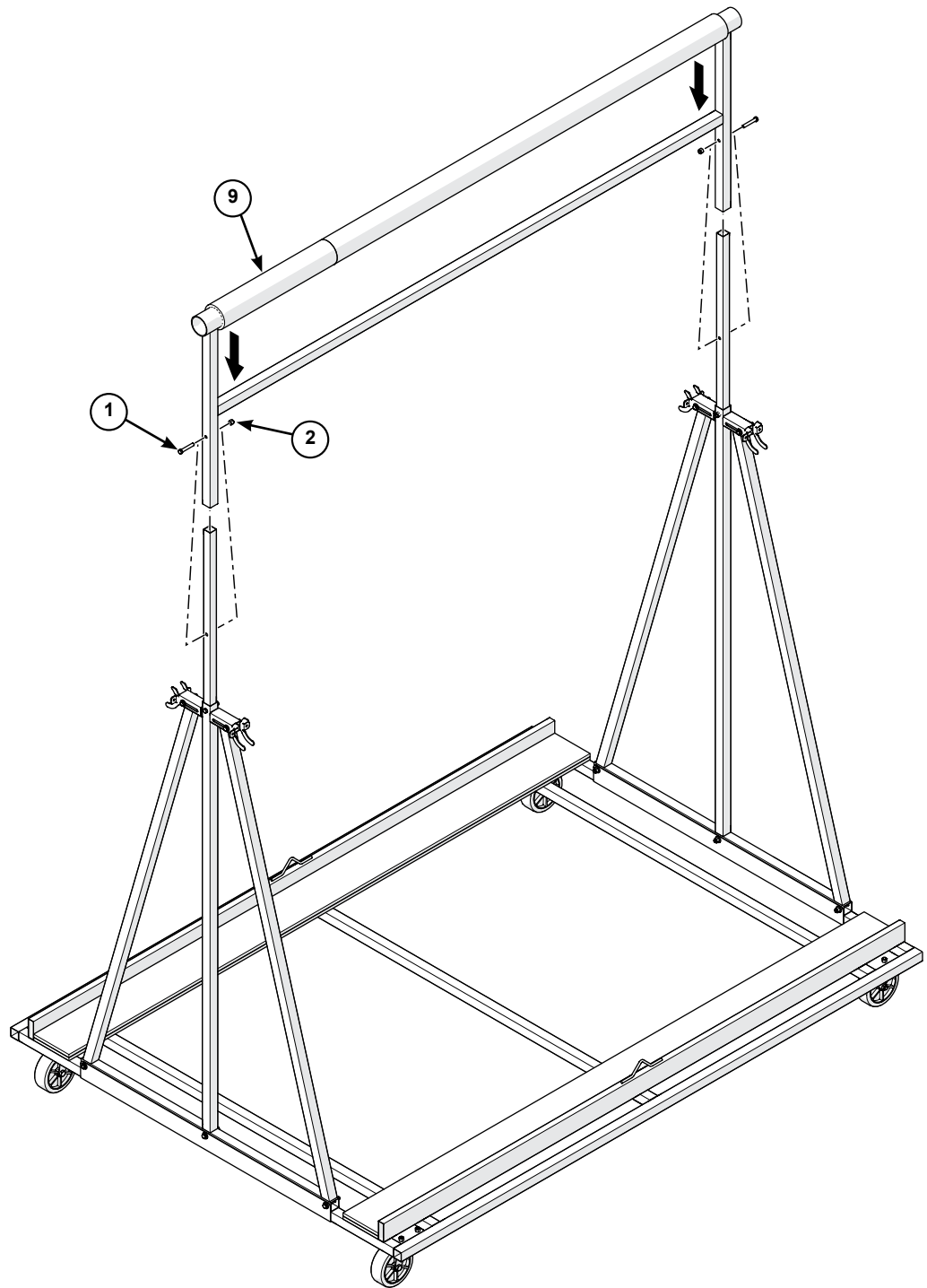
Assembly (continued)

2. Attach both Mast Adjustment Tubes.
 - a. Lower a Mast Adjustment Tube ⑧ into the top of both A-Frames. **Note the orientation of the holes to avoid installing upside down.**
 - b. Depending on the size of the ceiling row section that will be stored, select the proper hole in the Mast Adjustment Tube as indicated below and secure it to the A-Frame using one 3/8-16 x 2-1/4" Capscrew ① and one 3/8-16 Lock Nut ②.



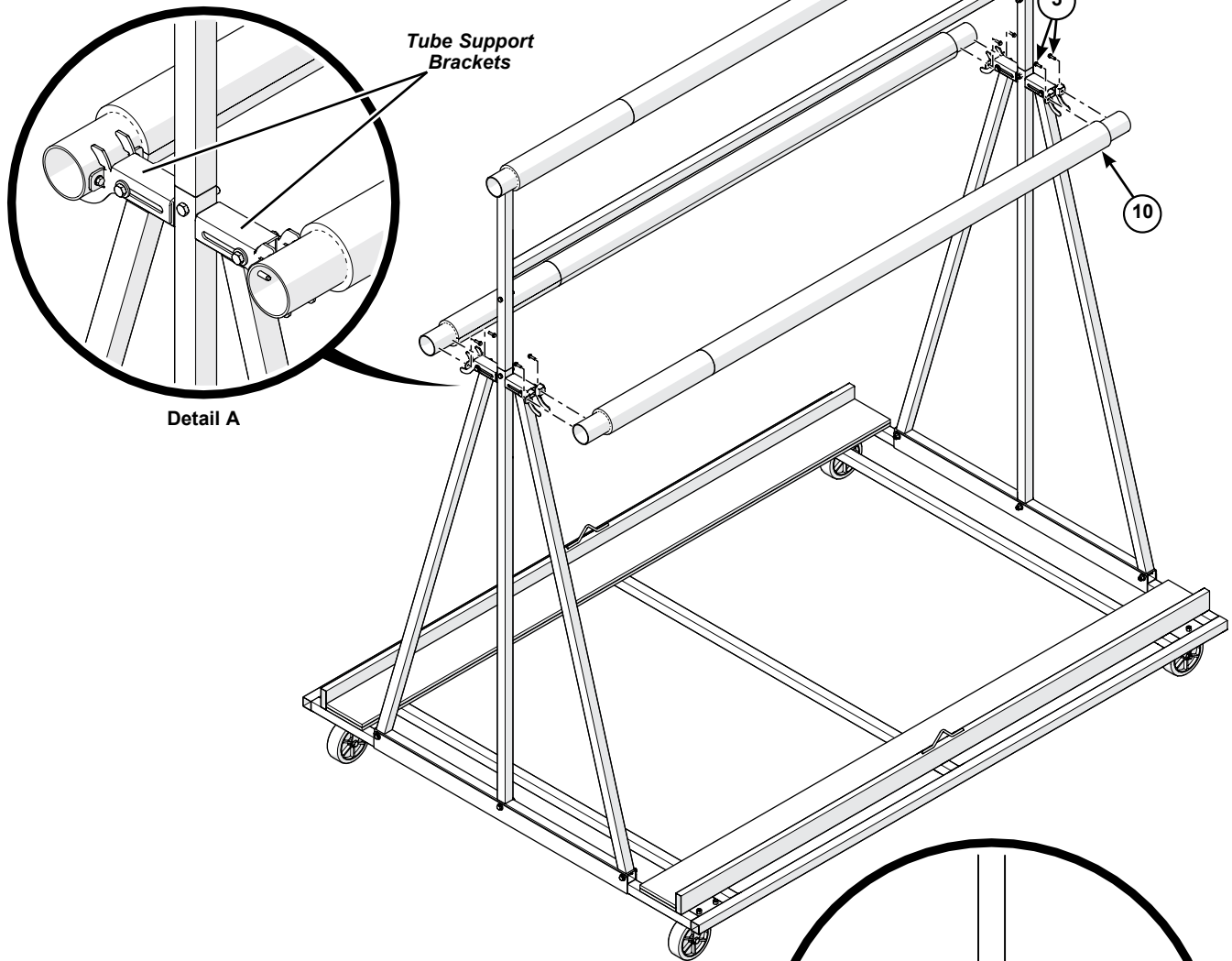
Assembly (continued)

3. Lower the Mast ⑨ onto both Adjustment Tubes and attach both ends using one 3/8-16 x 2-1/4" Capscrew ① and one 3/8-16 Lock Nut ②.



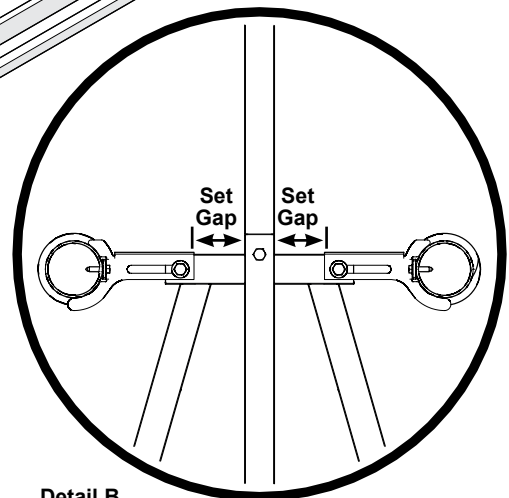
Assembly (continued)

4. Tighten all of the previously installed fasteners.
5. Attach both Mid Supports.
 - a. **See Detail A.**
At each side of the A Frame, center both ends of a Mid Support ⑩ onto the Support Tube Brackets.
 - b. Attach both ends of the Mid Support to the Support Tube Bracket using two 1/4-14 x 1" Self-Drilling Screws ⑤.



Detail A

5. **See Detail B.**
Depending on the size of the ceiling row section that will be stored, set the gap between the Mast Adjustment Tube and the Tube Support Brackets as follows:
 - 9' Ceiling = 1/8"
 - 10' Ceiling = 3/4"
 - 11' Ceiling = 1-11/16"
 - 12' Ceiling = 2-7/16"



Detail B