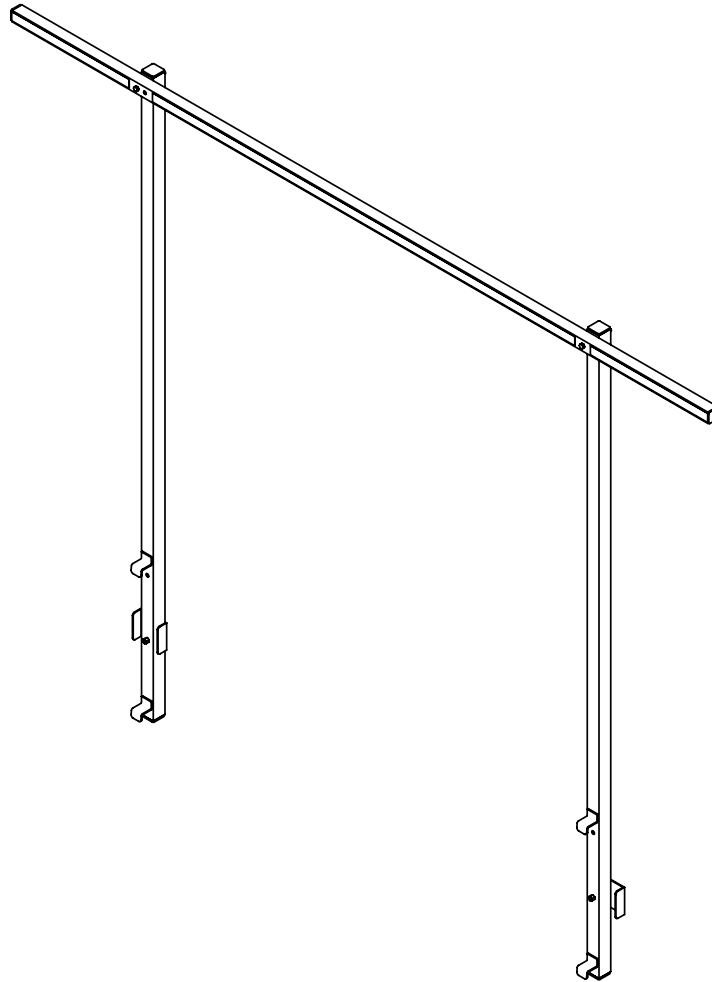




Assembly Instructions

Drapery Backdrop Support

for Wenger Versalite®, Trouper®, Stagehand®
and STRATA® Event Staging and Tent Floor Platform Systems



Contents

Important User Information	2	Required Tools	3
General	2	Supplied Hardware	3
Manufacturer	2	Replacement Parts	4
Intended Use	2	Assembly	5
Warranty	2	Setup	7
Before You Begin	3	Disassembly	8



Visit the **Staging Accessories** web page at wengercorp.com for more information.

Note: Please read and understand these instructions before proceeding.
Note: If you need additional information, contact Wenger Corporation using the information below.

Important User Information

General

Copyright © 2024 by Wenger Corporation

All rights reserved. No part of the contents of this manual may be reproduced, copied, or transmitted in any form or by any means including graphic, electronic, or mechanical methods or photocopying, recording, or information storage and retrieval systems without the written permission of the publisher, unless it is for the purchaser's personal use.

Printed and bound in the United States of America.

The information in this manual is subject to change without notice and does not represent a commitment on the part of Wenger Corporation. Wenger Corporation does not assume any responsibility for any errors that may appear in these instructions.

In no event will Wenger Corporation be liable for technical or editorial omissions made herein, nor for direct, indirect, special, incidental, or consequential damages resulting from the use or defect of these instructions. The manufacturer reserves the right to change this product at any time.

The information in this document is not intended to cover all possible conditions and situations that might occur. The end user must exercise caution and common sense when assembling or installing Wenger Corporation products. If any questions or problems arise, call the Wenger Corporation at (800) 4WENGER (493-6437) or +1-507-455-4100 worldwide.

Manufacturer

The Drapery Backdrop Support is manufactured by:

Wenger Corporation
555 Park Drive
Owatonna, MN 55060
(800) 4WENGER (493-6437) • +1 (507) 455-4100
wengercorp.com

Intended Use

- This product is intended for indoor use in normal ambient temperature and humidity conditions – it must not be exposed to prolonged outside weather conditions.
- This product is intended to be assembled and used only as described in these instructions.

Warranty

Warranty information is available at wengercorp.com.

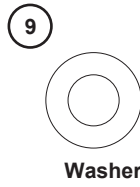
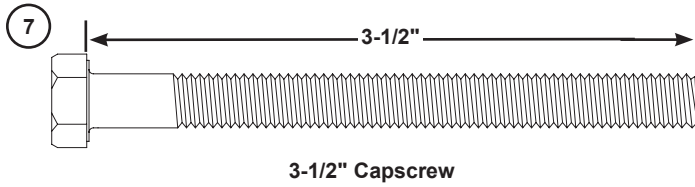
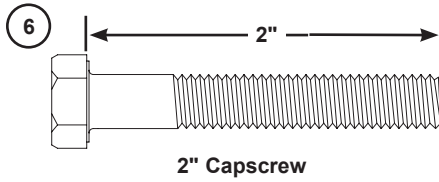
Before You Begin

- Read the complete assembly procedure before you begin.
- Remove all items from the shipping carton and lay them out approximately in their final position.
- Remove all items from the hardware bag and determine where all of the fasteners will be used.

Required Tools

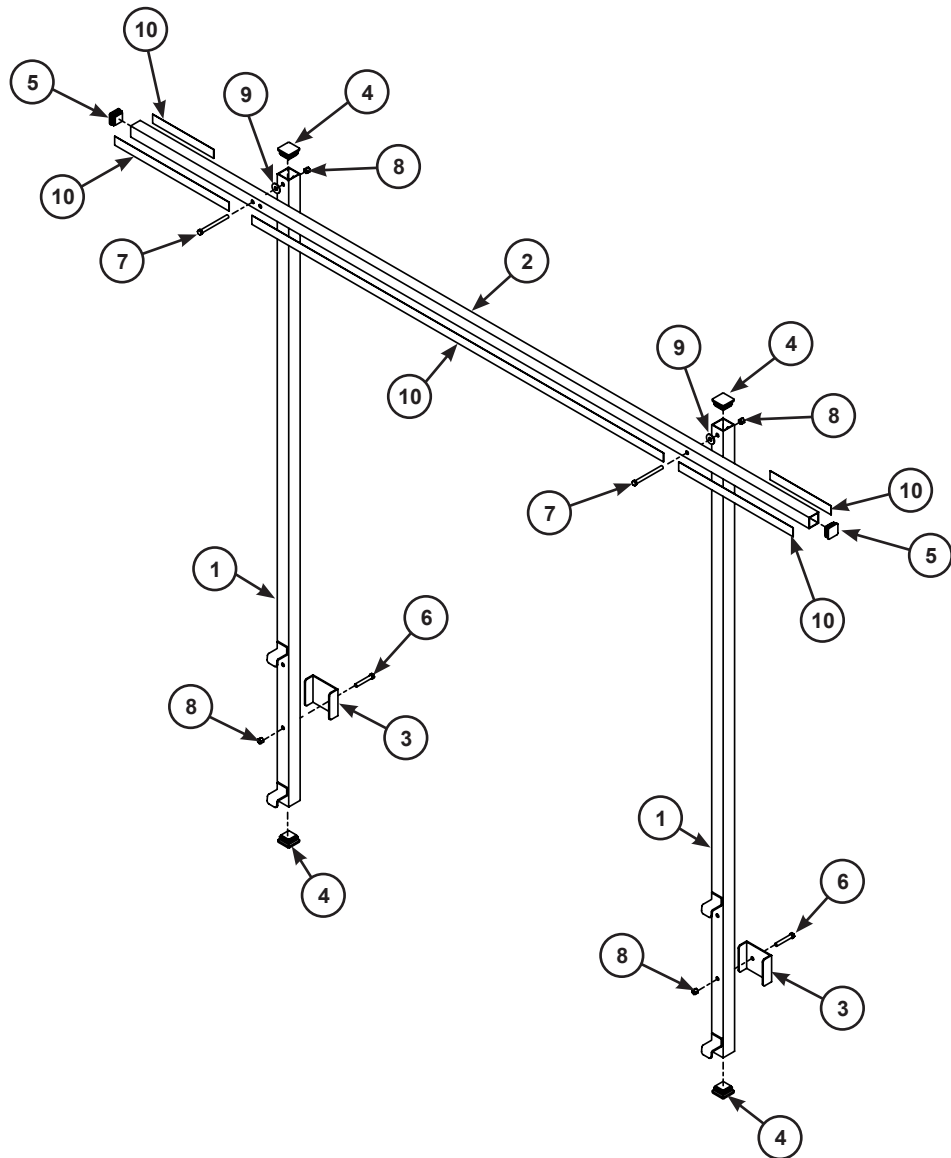
- Two 1/2" Open-End or Socket Wrenches

Supplied Hardware



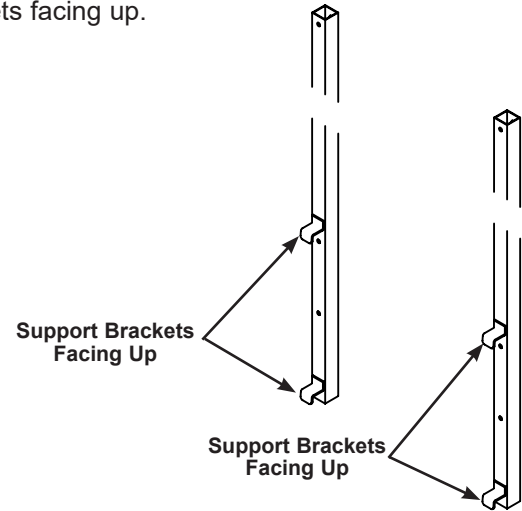
Replacement Parts

Item	Qty	Description
1	2	Upright Weldment
2	1	Support Tube
3	2	Bracket
4	4	1-1/2" Square Plug
5	2	1-1/4" Square Plug
6	2	5/16 -18 X 2" Capscrew
7	2	5/16 -18 X 3-1/2" Capscrew
8	4	5/16-18 Lock Nut
9	2	5/16" ID Nylon Flat Washer
10	-	Hook-And-Loop Strip - 101" Long

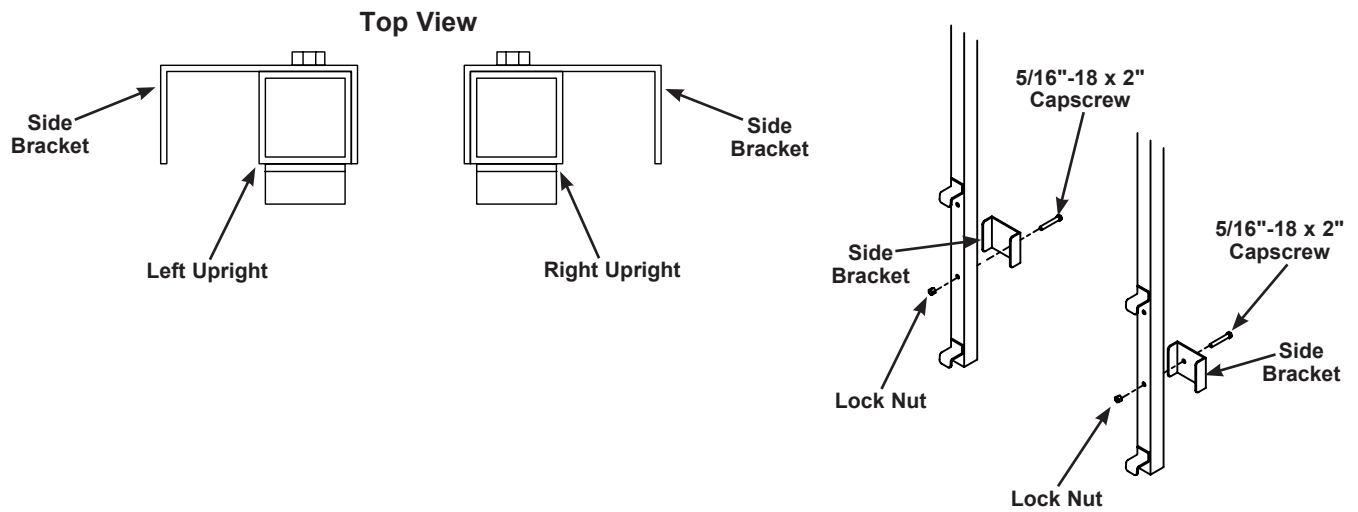


Assembly

1. Lay the uprights (1) on a flat surface, with the support brackets facing up.



2. Attach a side bracket (3) to each upright using a 5/16"-18 x 2" capscrew (6) and a lock nut (8). The side brackets must extend to the outside of the upright.



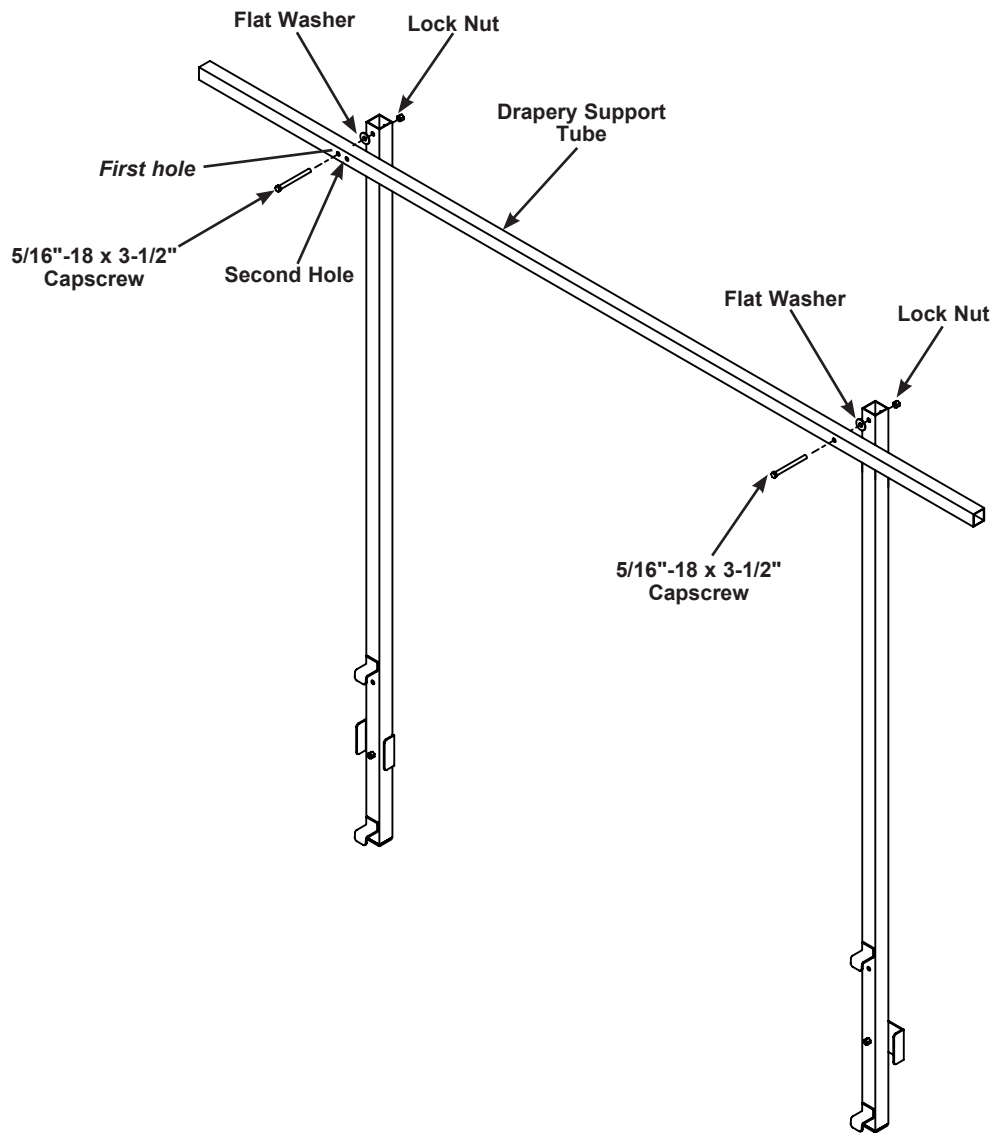
Assembly (continued)

- Attach the drapery support tube (2) to the uprights using a 5/16"-18 x 3-1/2" capscrew (7), a flat washer (9) and a lock nut (8).

There are two adjacent holes in one side of the drapery support tube.

The first hole is used to assemble Versalite®, Trouper® and Stagehand® systems.

The second hole is to assemble STRATA® systems.

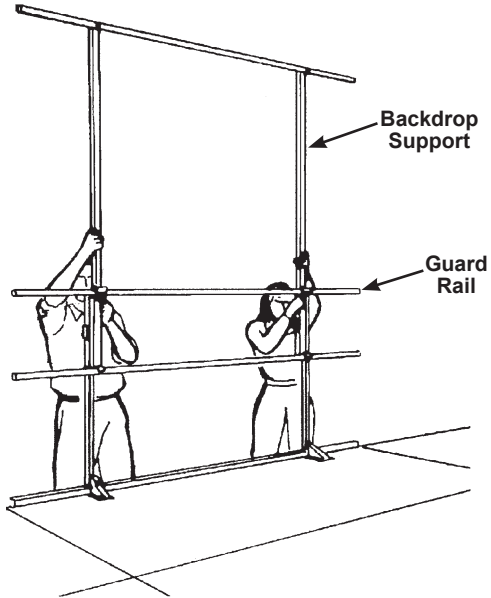


Setup

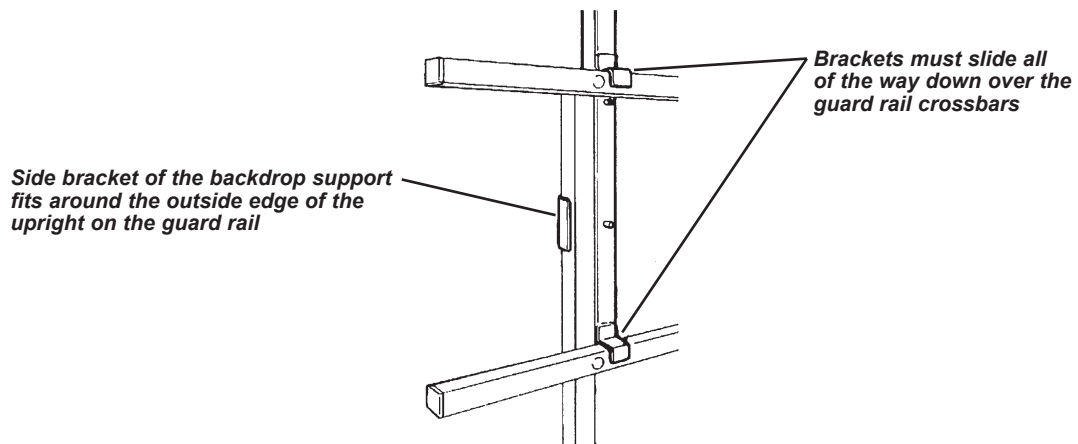
1. Unfold the backdrop support and set it on an installed guardrail as shown.

NOTICE

Two people are required to install the backdrop support.



2. Refer to the owner's manual for instructions on attaching the drapery to the support.



Disassembly

1. Refer to the owner's manual for instructions on removing and storing the drapery from the backdrop support.
2. Press the button on each upright, and lift the backdrop support from the guard rail.

