

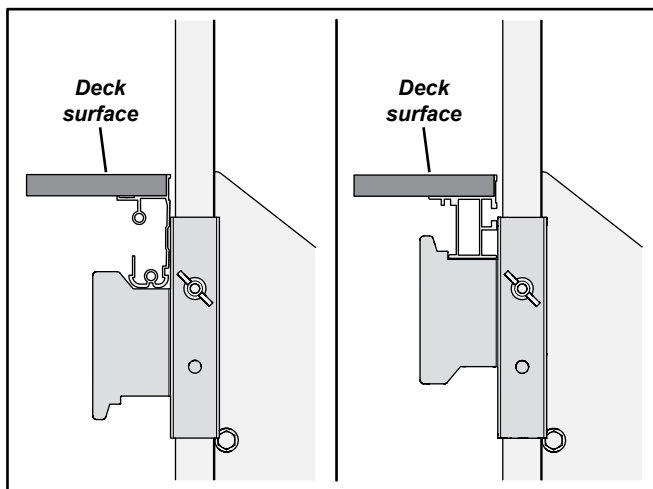
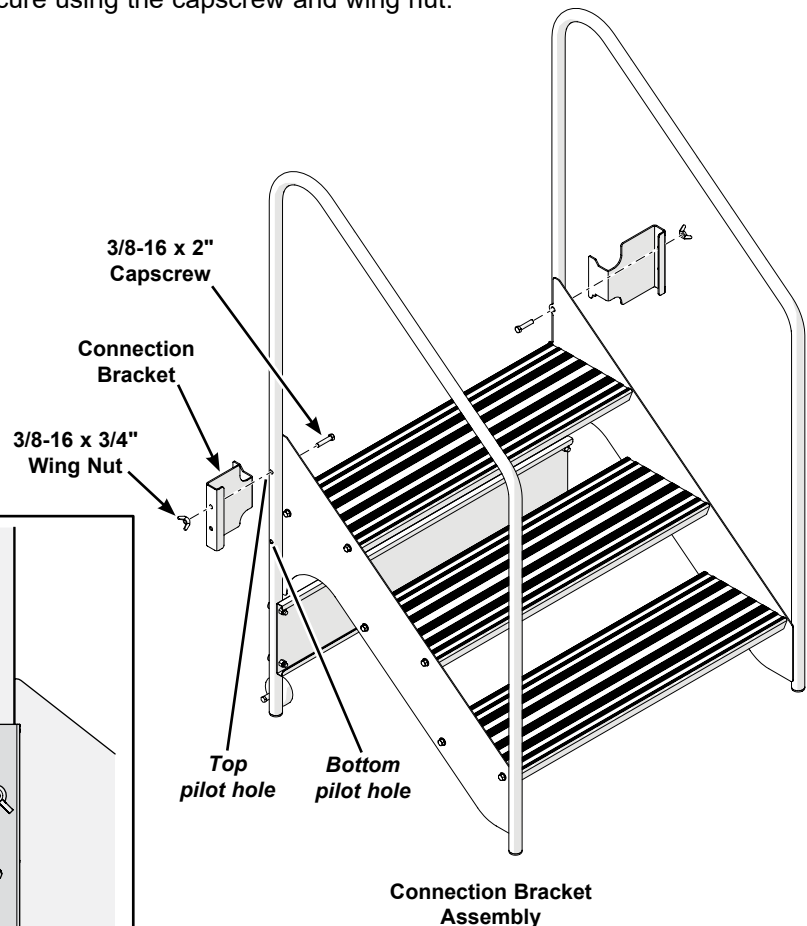
Basic Instructions to be used with the fixed height stairway connection kit for 3' (914 mm) wide StageTek and Versalite decks only!

For more detailed product information, refer to the Assembly Instructions 281A129.

### Assembly

1. Attach one connection bracket to both the left-hand rail assembly and the right-hand rail assembly using one 3/8-16 x 2" capscrew and one 3/8-16 wing nut in each as shown.
  - a. Orient the connection bracket according to the type of stage being used as referenced below.
  - b. Depending on the stairway model and stage deck elevation, align the pilot hole in each connection bracket with **either the top or bottom** pilot hole in each hand rail assembly according to the chart below and secure using the capscrew and wing nut.

Stairway Model	Stage Deck Elevation	Connection Bracket Location
2-Step	16" (406 mm)	Bottom Hole
	24" (610 mm)	Top Hole
3-Step	24" (610 mm)	Bottom Hole
	32" (813 mm)	Top Hole
4-Step	32" (813 mm)	Bottom Hole
	40" (1016 mm)	Top Hole



StageTek®  
Connection Bracket  
Orientation

Versalite®  
Connection Bracket  
Orientation

## Installation

1. Slightly tilt the fixed height stairway forward and slide it under the stage so the connection brackets will engage with the edge of the stage deck as shown on the previous page.
2. Tilt the fixed height stairway back to the ground to grip the stage deck.

