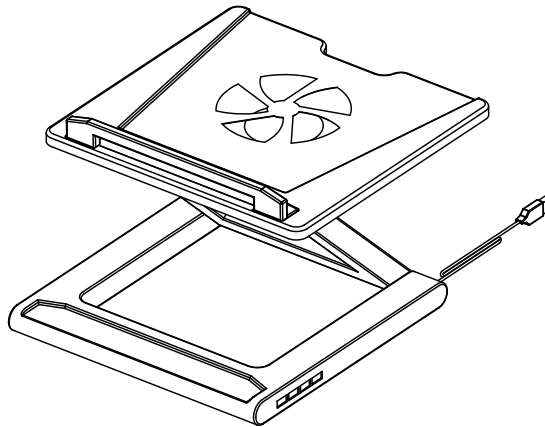
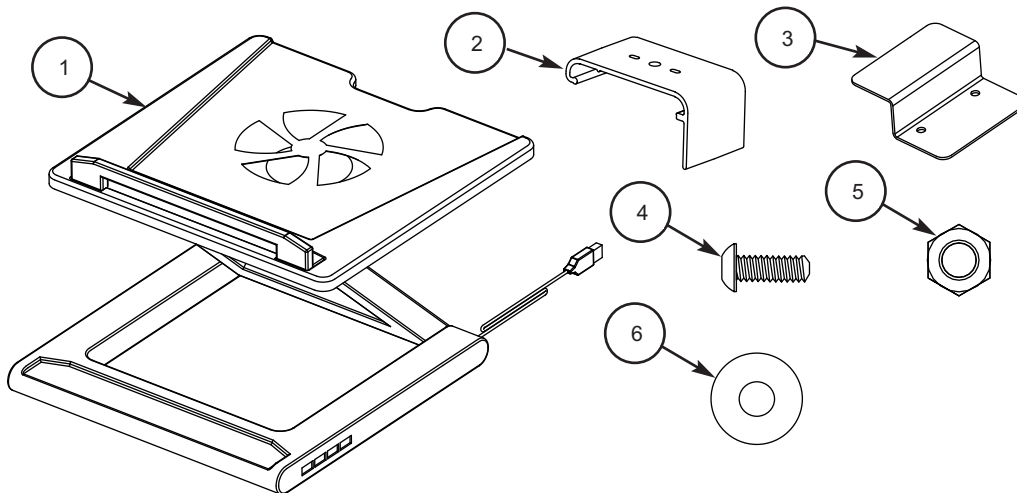


CAUTION
Make sure that anyone working with the Flex TechBridge & Accessories has read and understands these instructions.

CAUTION
Failure to comply with Warnings and Cautions in this document can result in damage to property or serious injury.



PARTS LIST



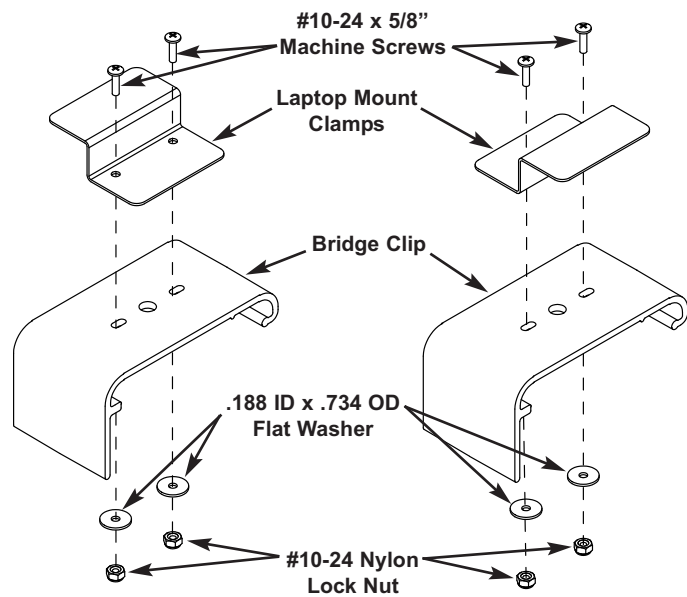
Item	Qty	Description	Item	Qty	Description
1	1	Laptop Z-Lift	4	4	Machine Screw, #10-24 x 5/8"
2	2	Bridge Clip	5	4	Nylon Lock Nut, #10-24
3	2	Laptop Mount Clamp	6	4	Flat Washer, .188 ID x .734 OD

ASSEMBLY

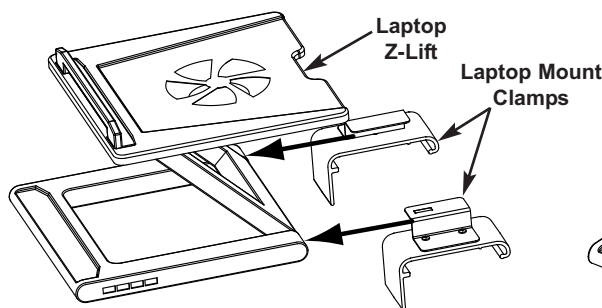
1. Attach one Laptop Mount Clamp to a Bridge Clip with a #10-24 x 5/8" Machine Screw, Flat Washer and #10-24 Nylon Lock Nut.

Repeat this step to assemble another Laptop Mount.

Note: The Laptop Mount Clamps on each Bridge Clip must face in opposite directions when attached to the clips.



2. Slide the open end of the Laptop Mount Clamp onto the underside of the Laptop Z-Lift Frame.



3. Position the Laptop Mount in the desired location.
4. Attach the Laptop Mount Assembly to the Bridge Extrusion by inserting the short sides of the clips into the outside groove of the bridge extrusion. Then press down to snap long sides of the clips into place.
5. To reposition or remove Laptop Mount, release the clips by pulling on the Release Handle (long side of the clip) and rotate the Laptop Mount Assembly forward. Plug the USB cable into a USB port on the laptop computer (not supplied) to energize the cooling fan and the auxiliary USB parts of the Laptop Mount.

