

### CONTENTS

Important User Information . . . . .	2	Parts List . . . . .	3
General . . . . .	2	Assembly . . . . .	4
Manufacturer . . . . .	2	Operation . . . . .	6
Intended Use . . . . .	2	Universal Tablet Mount Adjustment . . . . .	6
Warranty . . . . .	2	Frame Adapters for Larger Tablets . . . . .	8
Required Tools . . . . .	2		

**Note:** Please read and understand these instructions before assembling the parts.

**Note:** Remove all items from the shipping cartons and arrange them in a convenient location. Refer to the illustrations on the following pages. If you need additional information, contact the Wenger Corporation using the information below.

# **IMPORTANT USER INFORMATION**

---

## **GENERAL**

Copyright © 2015 by Wenger Corporation

All rights reserved. No part of the contents of this manual may be reproduced, copied, or transmitted in any form or by any means including graphic, electronic, or mechanical methods or photocopying, recording, or information storage and retrieval systems without the written permission of the publisher, unless it is for the purchaser's personal use.

Printed and bound in the United States of America.

The information in this manual is subject to change without notice and does not represent a commitment on the part of Wenger Corporation. Wenger Corporation does not assume any responsibility for any errors that may appear in this manual.

In no event will Wenger Corporation be liable for technical or editorial omissions made herein, nor for direct, indirect, special, incidental, or consequential damages resulting from the use or defect of this manual.

The information in this document is not intended to cover all possible conditions and situations that might occur. The end user must exercise caution and common sense when assembling or installing Wenger Corporation products. If any questions or problems arise, call Wenger Corporation at 1-800-733-0393.

## **MANUFACTURER**

The Universal Tablet Mount Accessory is manufactured for:

Wenger Corporation  
555 Park Drive, Owatonna, MN 55060  
(800) 4WENGER (493-6437) • +1 (507) 455-4100

## **INTENDED USE**

- This product is intended for indoor use in normal ambient temperature and humidity conditions — it must not be exposed to prolonged outside weather conditions.
- This product is intended to be assembled only as described in these instructions.

## **WARRANTY**

This product is guaranteed free of defects in materials and workmanship for five full years from date of shipment. A full warranty statement is available upon request.

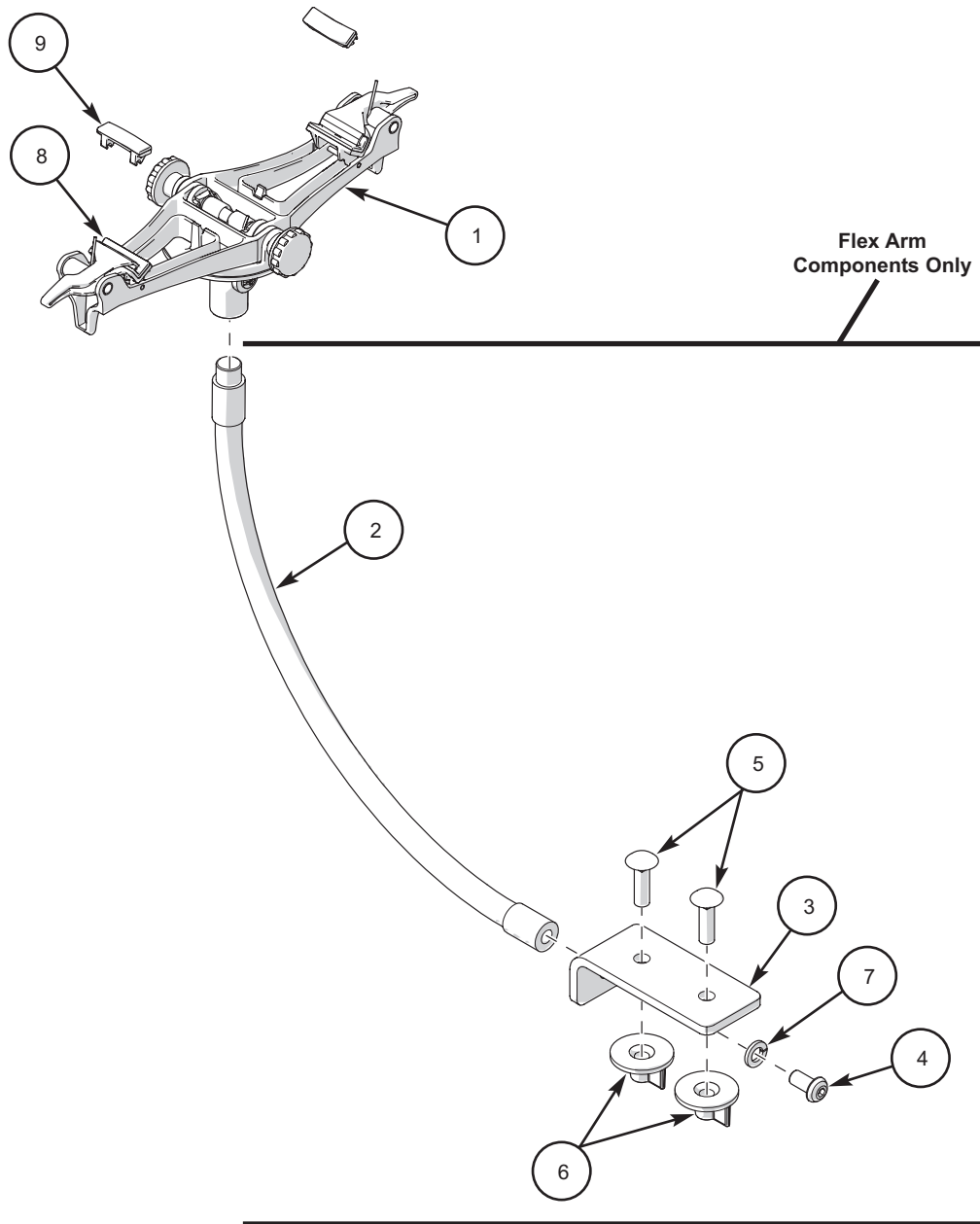
## **REQUIRED TOOLS**

---

The following tools are required for assembly:

- 7/32" (6 mm) Hex Wrench

# PARTS LIST



Item	Qty	Description
1	1	Universal Tablet Mount
2	1	Flex Arm
3	1	TechBridge Mounting Bracket
4	1	Button Head Socket Screw, 3/8-16 x 3/4
5	2	Carriage Bolt, 3/8-16 x 1-1/4

Item	Qty	Description
6	2	Divider Wing Nut, 3/8-16
7	1	Lock Washer, 3/8 ID
8	2	Small Frame Adapter
9	2	Large Frame Adapter

# ASSEMBLY

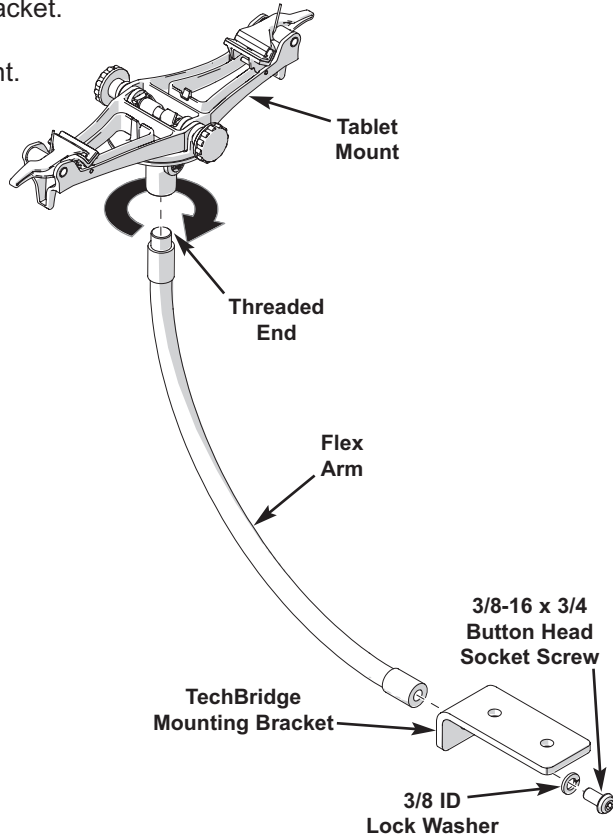
---

1. Attach the Universal Tablet Mount.

## If using the Universal Tablet Mount with a Flex Arm.

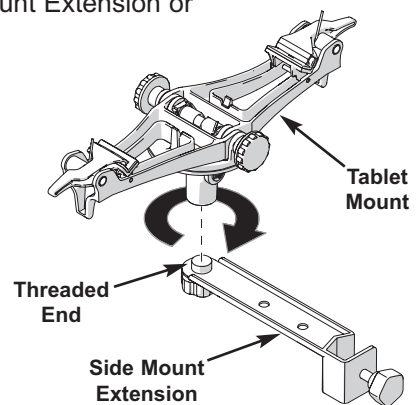
- a. Screw the Tablet Mount onto the threaded end of the Flex Arm.
- b. Attach the TechBridge Mounting Bracket to the other end of the Flex Arm using a 3/8 ID Lock Washer and 3/8-16 x 3/4 Button Head Socket Screw. Tighten the Screw until the Lock Washer compresses and the end of the Flex Arm cannot be rotated against the face of the Bracket.

The Screw has a Loctite patch to keep it tight.



## If using the Universal Tablet Mount with a Side Mount Extension or any standard 5/8"-27 Threaded Microphone Adapter.

- a. Screw the Tablet Mount onto the threaded end of the Side Mount Extension or Threaded Microphone Adapter.



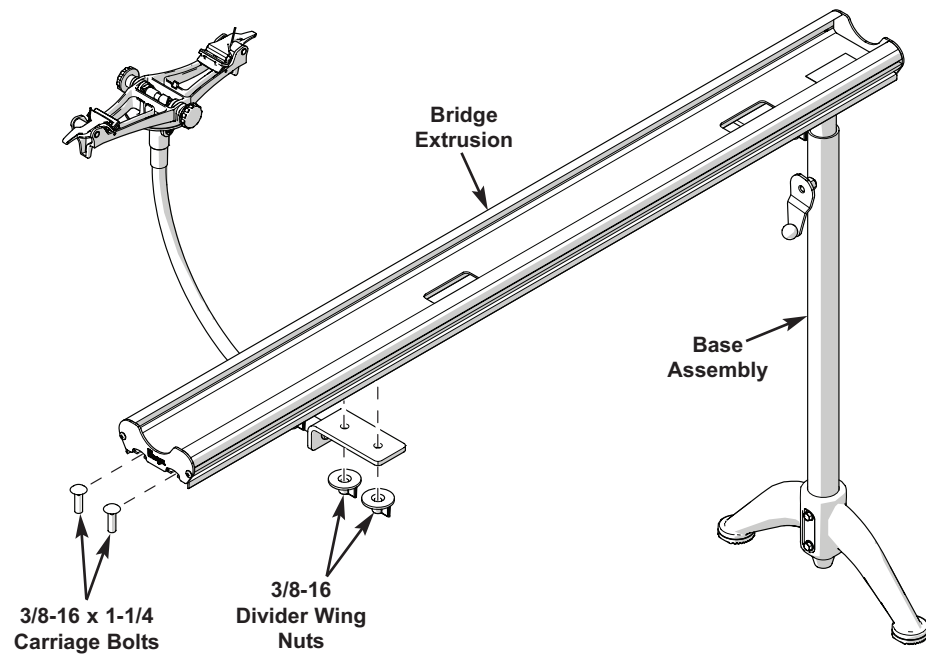
## ASSEMBLY (CONTINUED)

---

2. Attach the Tablet Mount to the Bridge Extrusion as shown.

**IMPORTANT:** *If the Base Assemblies have already been attached, one must be removed to attach the Tablet Mount, it can then be re-attached.*

- a. From the underside of the Bridge Extrusion, slide the head of one 3/8-16 x 1-1/4 Carriage Bolt into each channel at end of both slots.
- b. Slide the two holes in the TechBridge Mounting Bracket onto the Carriage Bolts.
- c. Secure the Tablet Mount Assembly to the Bridge Extrusion using two 3/8-16 Divider Wing Nuts.



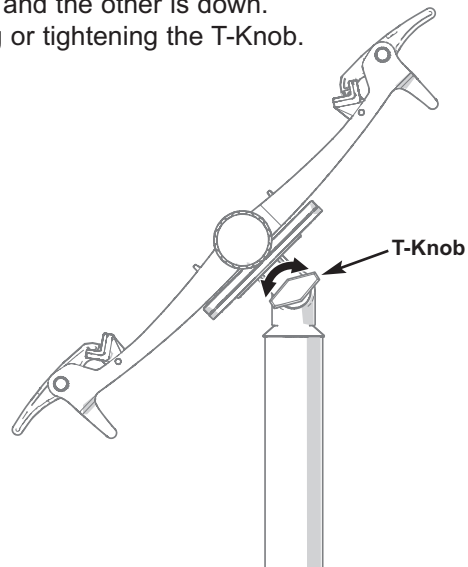
# OPERATION

---

## UNIVERSAL TABLET MOUNT ADJUSTMENT

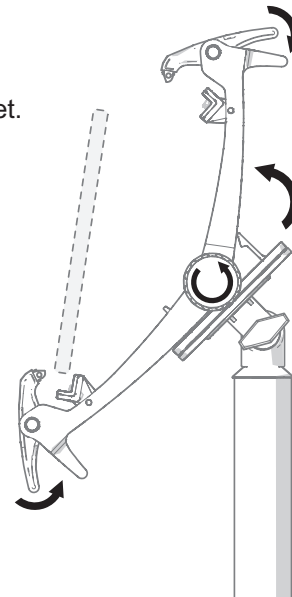
Use the Tablet Mount with care.

1. Rotate the Universal Mount so that one arm is up and the other is down.  
The rotation tension can be adjusted by loosening or tightening the T-Knob.



2. Loosen the side knobs to release the adjustable mount arms.  
Squeeze open the clamp on the lower arm and insert the tablet.

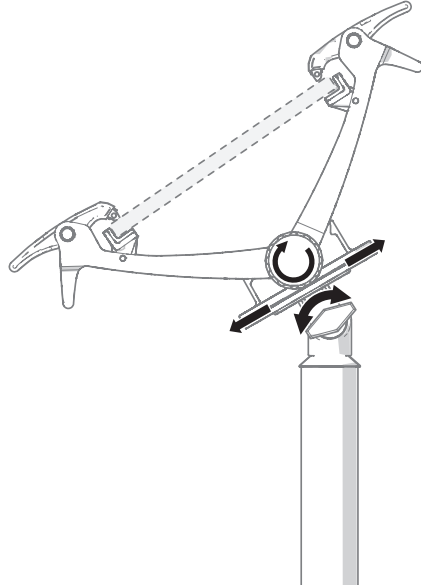
3. Move the upper arm into place and clamp the other side of the tablet.



## OPERATION (CONTINUED)

---

4. Inspect the insertion to make sure the pivot feet and clamps are firmly contacting the tablet. Tighten the knobs to secure the installation.
5. Adjust the swivel mount base 360° for optimal viewings.



## OPERATION (CONTINUED)

---

### FRAME ADAPTERS FOR LARGER TABLETS

If a tablet is too large to fit in the Small Frame Adapters, replace them with Large Frame Adapters.

1. Remove both Small Frame Adapters using a flat screwdriver to pry them from the Pivot Bar.
2. Push the Large Frame Adapters onto the Pivot Bars.

