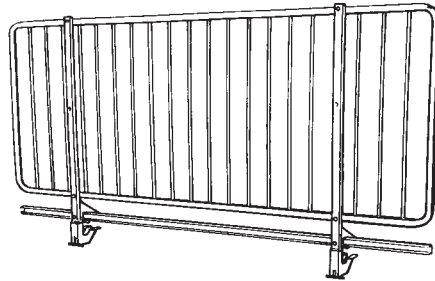




Assembly Instructions Guard Rail

for Wenger Versalite®, Trouper™, Stagehand™,
Portamaster, Showmaker Platform Systems



Guard Rail with In-Fill Panel

CONTENTS

Important User Information	2
General	2
Manufacturer	2
Installation	2
Intended Use	2
Required Tools	3
Parts List and Fasteners	3
Fasteners	3
Guard Rail Parts List and Hardware List	3
Assembly	4
Before Starting the Assembly	4
Assembly with Standard Rails	4
Assembling With In-Fill Panel Railing	5
Attach Guard Rails to a Stage	6
Warranty	7

Note: Please read and understand the Guard Rail Assembly Instructions before attempting installation or use.

Note: Remove all items from the shipping containers and sort the components by type, size, etc. Refer to the illustrations on the following pages. If you need additional information about your Guard Rail, write, email, or telephone Wenger Corporation at the number or address below.

IMPORTANT USER INFORMATION

GENERAL

Copyright® 2005 by Wenger Corporation

All rights reserved. No part of the contents of this manual may be reproduced, copied, or transmitted in any form or by any means including graphic, electronic, or mechanical methods or photocopying, recording, or information storage and retrieval systems without the written permission of the publisher, unless it is for the purchaser's personal use.

Printed and bound in the United States of America.

The information in this manual is subject to change without notice and does not represent a commitment on the part of Wenger Corporation. Wenger Corporation does not assume any responsibility for any errors that may appear in this manual.

In no event will Wenger Corporation be liable for technical or editorial omissions made herein, nor for direct, indirect, special, incidental, or consequential damages resulting from the use or defect of this manual.

The information in this document is not intended to cover all possible conditions and situations that might occur. The end user must exercise caution and common sense when assembling or installing Wenger Corporation products. If any questions or problems arise, call Wenger Corporation at 800-733-0393.

MANUFACTURER

The Wenger Guard Rail is manufactured by:

Wenger Corporation
555 Park Drive
Owatonna, MN 55060
1-507-455-4100 • 1-800-733-0393
www.wengercorp.com

INSTALLATION

- The Wenger Guard Rail use must comply with local regulations and codes.
- All personnel (including all temporary workers) using or installing the Wenger Guard Rail must read and understand this entire manual.

INTENDED USE

- The Wenger Guard Rail is intended for indoor use in normal ambient temperature and humidity conditions — it must not be exposed to extended outdoor weather conditions.
- The Wenger Guard Rail is intended to be permanently installed only as described in this manual.

REQUIRED TOOLS

The Wenger Guard Rail installation requires the installer to supply the tools shown below.

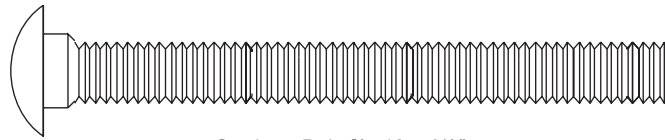


Two 1/2" Combination Wrenches

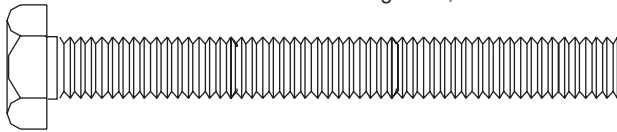
PARTS LIST AND FASTENERS

FASTENERS

The full scale fasteners shown below are contained in the Hardware Pack. Any fasteners remaining when the installation is complete should be discarded.



Carriage Bolt, 5/16-18 x 3 1/4"



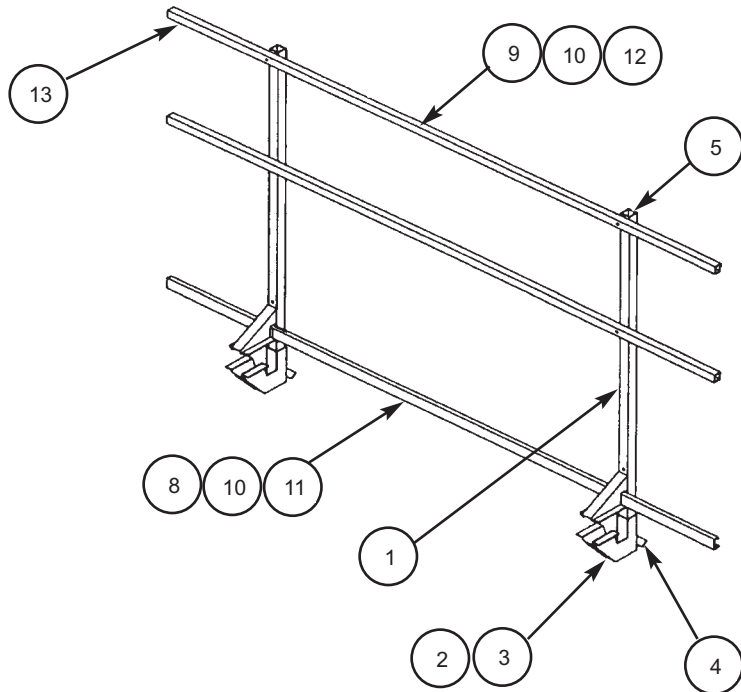
Hex Head Capscrew, 5/16-18 x 3"



Locknut, 5/16-18

GUARD RAIL PARTS LIST AND HARDWARE LIST

Note: Guard Rails are shipped with items 1 to 5 preassembled



Item	Qty	Description
1	2	Upright
2	2	Upright Lower Bracket
3	2	Tab Bolt, 3/8-16"
4	2	Upright Tee Handle
5	2	Plug, 1 1/2 x 1 1/2"
6		
7		
8	2	Hex Head Capscrew, 5/16-18 x 3"
9	4	Carriage Bolt, 5/16-18 x 3 1/4"
10	6	Locknut, 5/16-18"
11	1	Chair Rail
12	2	Guard Rail
13	4	Plug, 1 1/4 x 1 1/4"

** Not shown, refer to Fasteners

ASSEMBLY

BEFORE STARTING THE ASSEMBLY

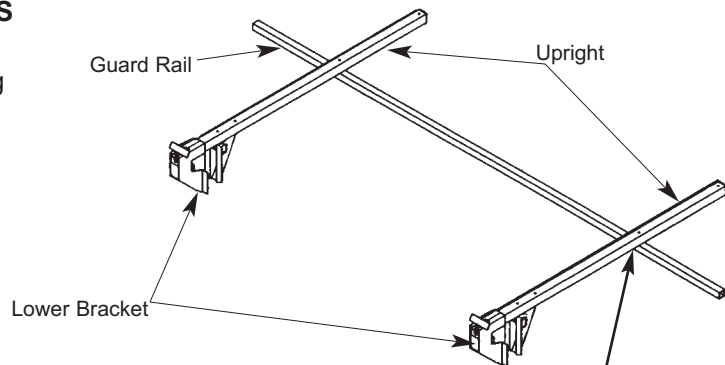
WARNING: Always wear safety glasses and safety shoes when assembling the Wenger Guard Rail. Failure to observe this precaution can result in serious injury.

Note: Not all hardware items packed in the carton may be needed. When the assembly is complete, discard any hardware items not used.

1. Move the Guard Rail Carton to a flat work surface.
2. Open the Carton and inventory the contents. Make sure that all of the required items listed on page 3 are present including the Hardware items. Discard the packing materials and corrugated carton.

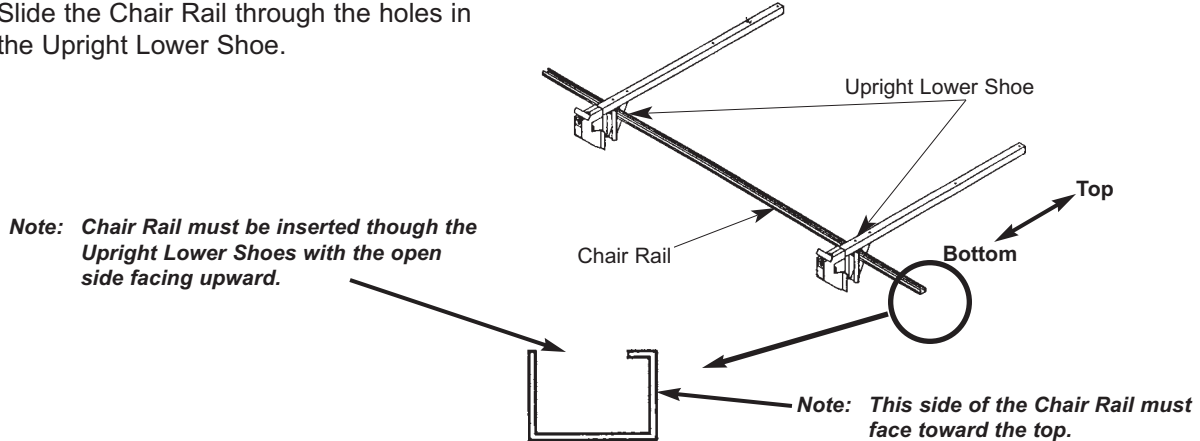
ASSEMBLY WITH STANDARD RAILS

1. Place two Uprights onto the flat work surface with the Lower Bracket pointing downward as shown at the right.



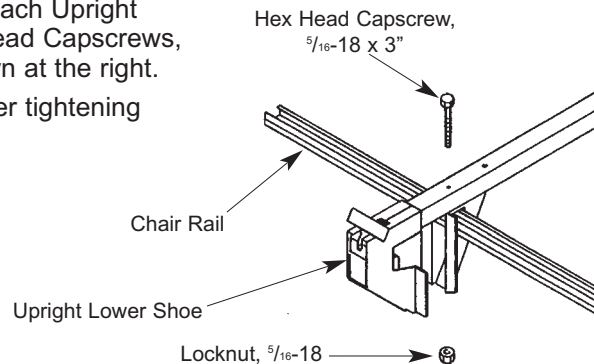
Note: Space the Uprights so that the upper holes will align with the two Guard Rail Holes.

2. Slide the Chair Rail through the holes in the Upright Lower Shoe.



3. Using two $\frac{1}{2}$ " combination wrenches, fasten each Upright Lower Shoe to the Chair Rail with two Hex Head Capscrews, $\frac{5}{16}$ -18 x 3", and two Locknuts, $\frac{5}{16}$ -18, as shown at the right.

Note: Tighten the Locknuts until snug (avoid over tightening which can damage the Chair Rail).

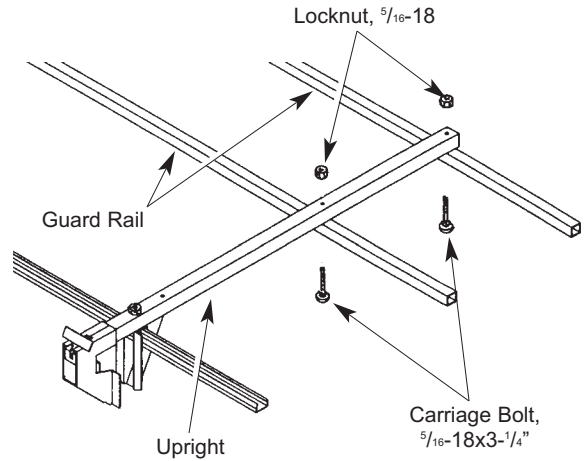


ASSEMBLY CONTINUED

ASSEMBLY WITH STANDARD RAILS CONTINUED

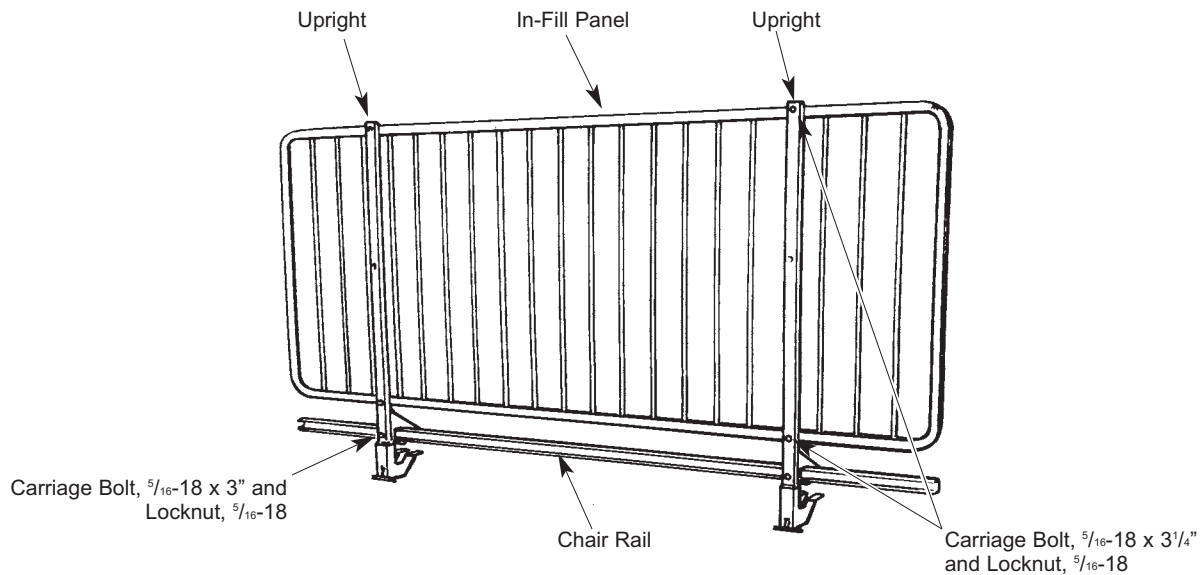
4. Fasten the two Guard Rails to the two Uprights as follows.
 - a. Insert four Carriage Bolts, $\frac{5}{16}$ -18 x $3\frac{1}{4}$ ", square necks into the Upright square holes and through the holes in the two Guard Rails as shown at the right.
 - b. Using a $\frac{1}{2}$ " combination wrenches, attach four Locknuts, $\frac{5}{16}$ -18, to the four Carriage Bolts.

Note: Tighten the Locknuts until snug (avoid over tightening which can damage the Guard Rails and Uprights).



ASSEMBLING WITH IN-FILL PANEL RAILING

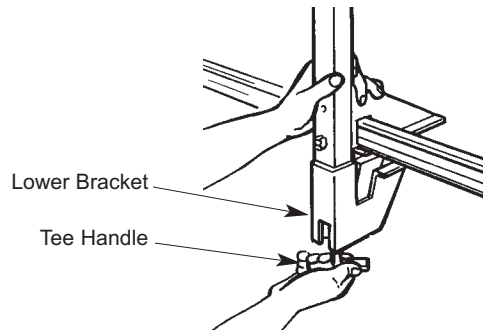
1. Repeat *Assembly with Standard Rails*, steps 1, 2, and 3.
2. Attach the In-Fill Panel Rail (shown below) using the same procedure for assembling Standard Rails. Refer to step 4 above.



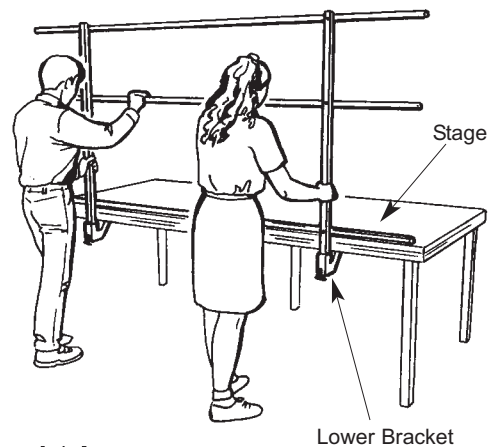
ASSEMBLY CONTINUED

ATTACH GUARD RAILS TO A STAGE

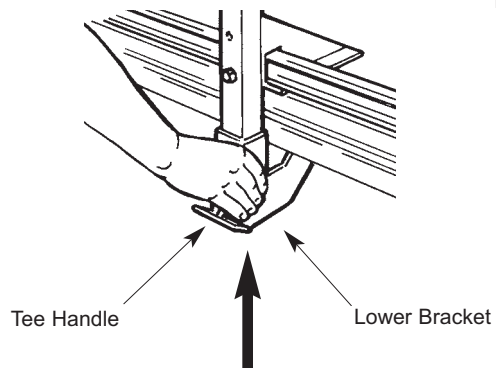
1. Unscrew the Tee Handle at the bottom of each Upright until pulling the Tee Handle toward you allows the Lower Bracket to drop.



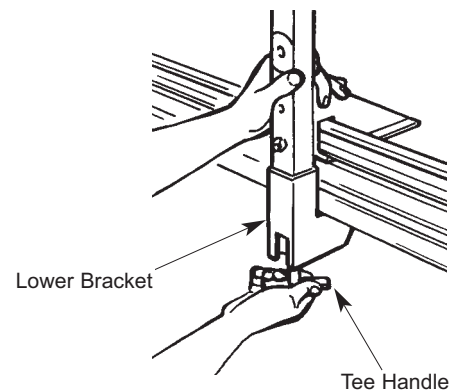
2. Place the Guard Rail onto the Stage with the Lower Bracket on each Upright positioned below the deck surface as shown at the right.



3. Lift the Lower Bracket on each Upright until the Tee Handle drops down.



4. Turn a Tee Handle until the Lower Bracket is tight against the Stage Deck.
5. Repeat step 4 on the other Tee Handle and Lower Bracket.



WARRANTY

The Wenger Guard Rail is guaranteed free of defects in materials and workmanship for five full years.

Our guarantee assures you of either a full refund or repair or replacement of the defective materials or workmanship without charge, at the discretion of our Customer Service Department. Just call a Customer Service Representative at 1-800-887-7145 and state the reason you are dissatisfied. If a product return is necessary, your representative will issue a return authorization. This is your sole remedy for breach of this warranty.

Should you have a question or problem with any Wenger product, don't hesitate to call, even if the product is past warranty. It's important to us that all our customers be satisfied.

This is the sole warranty made by Wenger. Wenger disclaims all other warranties, including the warranties of merchantability and fitness for a particular purpose, as well as all liability for incidental, consequential, special, and indirect damage. Wenger liability for direct damages shall be limited to the amount you paid for the product involved. Wenger reserves the right to make product changes without obligation to incorporate such changes into products previously sold.

Some states do not allow the exclusion or limitation of damages or warranties, so the above may not apply to you. This warranty gives you specific legal rights. You may also have other rights which vary from state to state.