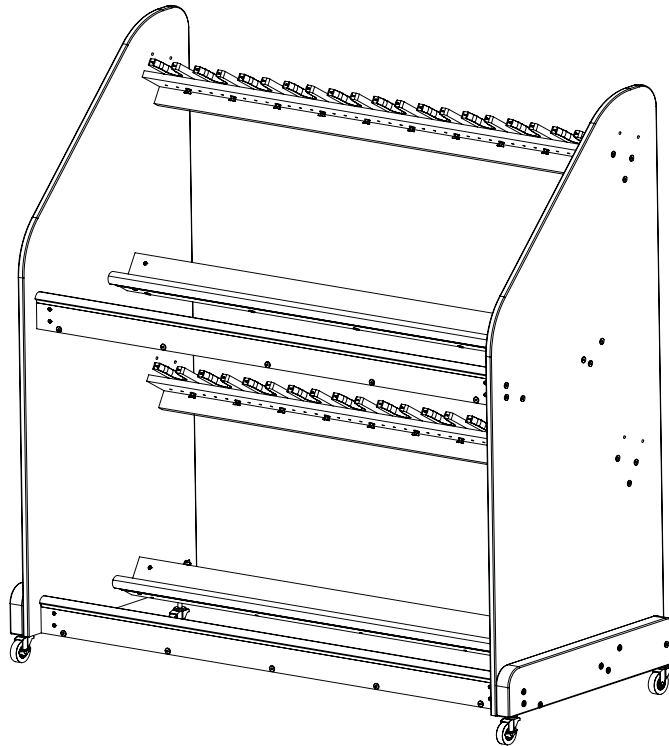




Your Performance Partner

Assembly Instructions Guitar Mobile Storage Rack



CONTENTS

Safety Precautions	2
Warranty	2
Operation	2
Important User Information	3
General	3
Manufacturer	3
Intended Use	3
Required Tools	4
Parts and Fastener List	4
Assembly	5-8

Please read and understand these Assembly Instructions before working with or using the Guitar Mobile Storage Rack.

If you need additional information about the Guitar Mobile Storage Rack, contact Wenger Corporation using the information below.

SAFETY PRECAUTIONS

This manual contains cautions which are defined as follows.

- **CAUTION;** failure to follow the instruction may result in serious injury or damage to property.

Read all of these safety instructions before assembling the Guitar Mobile Storage Rack.

 CAUTION	 CAUTION	 CAUTION
<i>Make sure that anyone working on the Guitar Mobile Storage Rack has read and understands this manual.</i>	<i>Failure to comply with Warnings and Cautions in this document can result in damage to property or serious injury.</i>	<i>Always observe and comply with the Warnings and Cautions posted on the system equipment.</i>

WARRANTY

The Guitar Mobile Storage Rack is guaranteed free of defects in materials and workmanship for five full years.

Our guarantee assures you of either a full refund or repair or replacement of the defective materials or workmanship without charge, at the discretion of our Customer Service Department. Just call a Customer Service Representative at 1-800-887-7145 and state the reason you are dissatisfied. If a product return is necessary, your representative will issue a return authorization. This is your sole remedy for breach of this warranty.

Should you have a question or problem with any Wenger product, don't hesitate to call, even if the product is past warranty. It's important to us that all our customers be satisfied.

This is the sole warranty made by Wenger. Wenger disclaims all other warranties, including the warranties of merchantability and fitness for a particular purpose, as well as all liability for incidental, consequential, special, and indirect damage. Wenger liability for direct damages shall be limited to the amount you paid for the product involved. Wenger reserves the right to make product changes without obligation to incorporate such changes into products previously sold.

Some states do not allow the exclusion or limitation of damages or warranties, so the above may not apply to you. This warranty gives you specific legal rights. You may also have other rights which vary from state to state.

OPERATION

Lock casters when the rack is in the desired position. Unlock casters to move the rack. If the instruments are left on the rack when moved, two people are required to move the rack. Move the rack slowly and carefully with two to four people holding the instruments securely keeping them in the yokes and avoiding them from hitting each other.

IMPORTANT USER INFORMATION

GENERAL

Copyright © 2009 by Wenger Corporation

All rights reserved. No part of the contents of this manual may be reproduced, copied, or transmitted in any form or by any means including graphic, electronic, or mechanical methods or photocopying, recording, or information storage and retrieval systems without the written permission of the publisher, unless it is for the purchaser's personal use.

The information in this manual is subject to change without notice and does not represent a commitment on the part of Wenger Corporation. Wenger Corporation does not assume any responsibility for any errors that may appear in this manual.

In no event will Wenger Corporation be liable for technical or editorial omissions made herein, nor for direct, indirect, special, incidental, or consequential damages resulting from the use or defect of this manual.

The information in this document is not intended to cover all possible conditions and situations that might occur. The end user must exercise caution and common sense when assembling or installing Wenger Corporation products. If any questions or problems arise, call Wenger Corporation at 1-800-733-0393.

MANUFACTURER

The Guitar Mobile Storage Racks are manufactured for:

Wenger Corporation
555 Park Drive
Owatonna, MN 55060
1-507-455-4100 • 1-800-733-0393
www.wengercorp.com

INTENDED USE

- This product is intended for indoor use in normal ambient temperature and humidity conditions - it must not be exposed to prolonged outside weather conditions.
- This product is intended to be assembled only as described in these instructions.

REQUIRED TOOLS

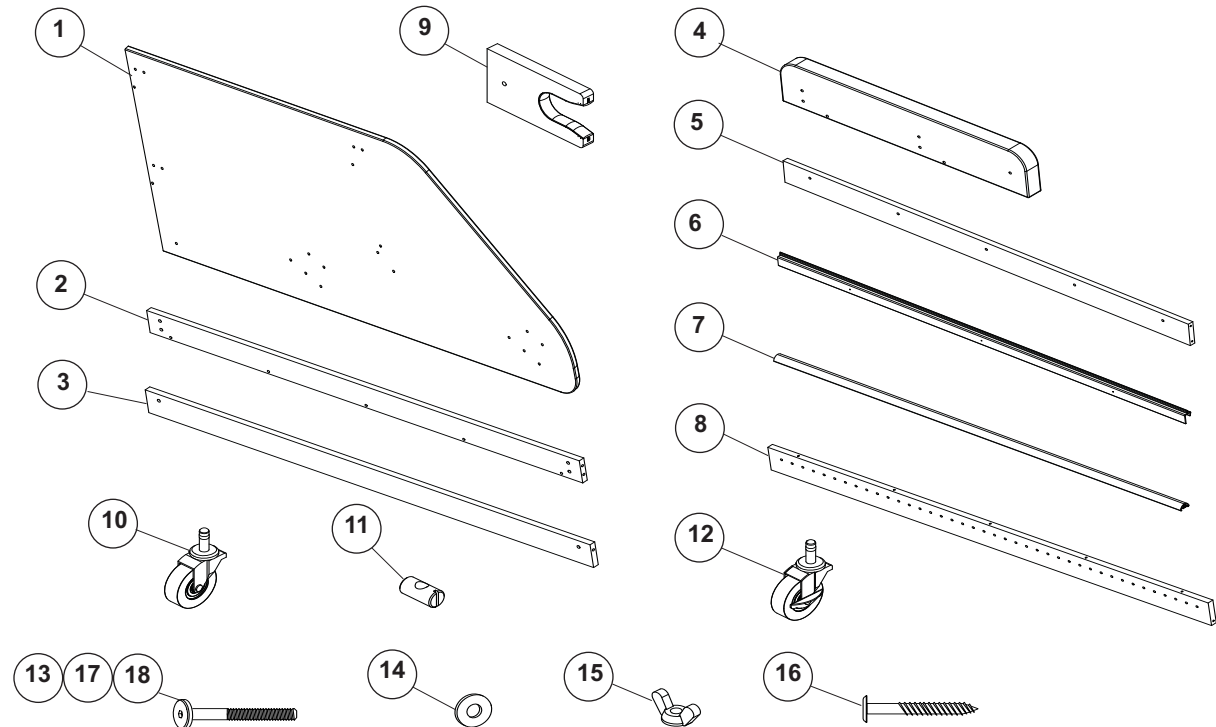
The following tools are required to assemble a Guitar Mobile Storage Rack.

- Phillips Screwdriver #2
- 5/32" Allen Wrench (provided)
- Straight Blade Screwdriver

BEFORE ASSEMBLY

- Remove components from packaging carefully.
- Keep hardware together until needed for assembly.
- It is recommended that two people are used in the assembly process.

PARTS AND FASTENER LIST



Item	Qty.	Description	Item	Qty.	Description
1	2	End Panel	11	24	Cross Dowel, 1/4-20
2	4	Lower Cross Panel	12	2	Swivel Caster with Brake
3	4	Stiffener	13	14	Machine Screw, 1/4-20 x 3.15
4	2	Caster Panel	14	34	Washer, 1/4 x 5/8 OD
5	2	Yoke Stiffener	15	22	Wing Nut, 1/4-20
6	4	Male Extrusion	16	42	Hex Socket Lag Screw
7	4	Female Extrusion with Pad	17	12	Machine Screw, 1/4 x 4.63
8	2	Yoke Mount Panel	18	20	Machine Screw, 1/4 x 2.359
9	20	Yoke	19	1	Allen Wrench, 5/32" L-Handle or 5/32" Hex Insert Bit
10	2	Swivel Caster without Brake			

***Note:** Extra fasteners may remain after completion of the assembly and can be discarded.

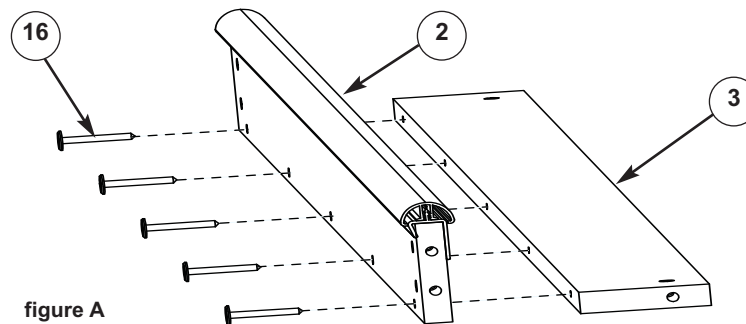
ASSEMBLY

To begin the assembly of the Guitar Mobile Storage Rack:

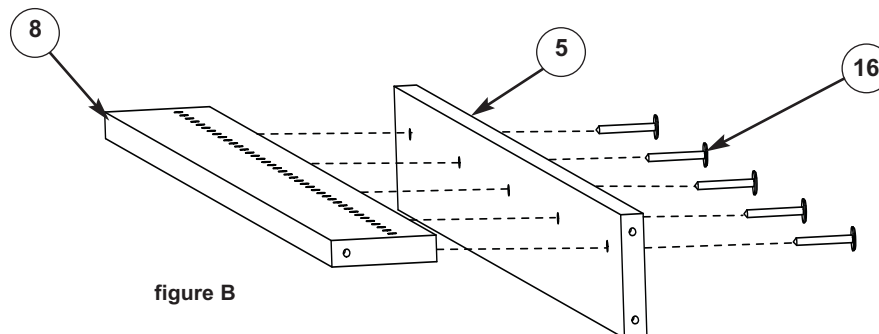
1. Remove the four Lower Cross Panels (#2), four Stiffeners (#3), two Yoke Stiffeners (#5), two Yoke Mount Panels (#8) and the hardware pack from the package.
2. On a level surface with free access along one side, stand the Lower Cross Panel (#2) upright as shown with the smaller through holes along the lower edge. (see figure A)
3. Lay the Stiffener (#3) flat on the level surface with the 3mm pilot holes facing the Lower Cross Panel (#2). (see figure A)
4. The pilot holes on the stiffener and the through holes on the lower edge of the Lower Cross Panel should line up. Bring them into contact and align the sides of the Lower Cross Panel and the Stiffener so that they are flush. Insert the Hex Socket Lag Screw (#16) into each through hole in the support member and carefully drive the Hex Socket Lag Screw into the stiffener until it secures the two pieces together. (see figure A)

Note: Hold the two pieces together firmly until at least three screws are installed, preferably one near each end and one in the center. Some screws may require more effort to drive than others, depending on the density of the wood. Use caution not to strip out of the Hex Socket Lag Screw head while driving the screw as this may cause injury or damage. The screws must be driven in straight and on the centerline of the stiffener to properly align the components and to prevent damage to the stiffener. Screws should be driven into the cross-member until flush.

5. Repeat steps 2 through 4 until all four Lower Cross Panel/Stiffener assemblies are complete.



6. Repeat steps 2 through 4 to assemble the two Yoke Mount Panel (#8) and Yoke Stiffener (#5).
Note: The holes on the Yoke Stiffener (#5) are off set. Two people are recommended to complete this step. One person is needed to hold the pieces tightly together while the other person secures them using the Hex Socket Lag Screws (#16). (see figure B)



ASSEMBLY CONTINUED

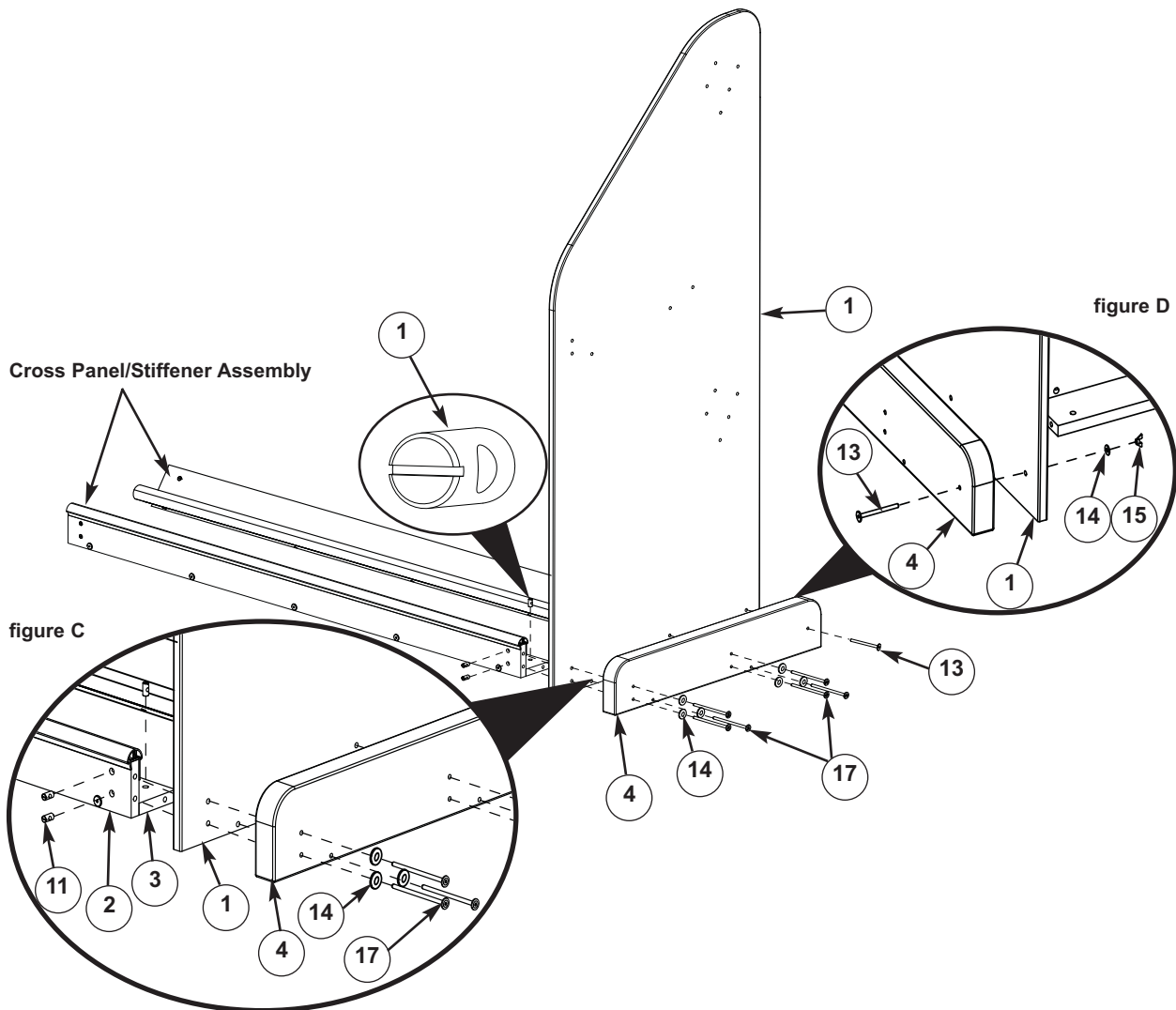
7. Insert the Cross Dowels (#11) into the three cross holes in one of the Cross Panel/Stiffener assemblies. There are three holes on each end of the assembly as shown in figure C.

Note: The slot in the metal cross dowel indicates the through hole for the machine screw and should be aligned with a screwdriver to assist starting the threads of the machine screw by hand.

8. Using Machine Screws, 1/4-20 x 4.63 (#17) and washers, 1/4 x 5/8 OD (#14), assemble one End Panel (#1), one Caster Panel (#4) and one side of the Cross Panel/Stiffener assembly as shown. (see figure C)

Note: Do not tighten snugly until step 9 is complete.

9. Repeat step 8 for the second Cross Panel/Stiffener assembly.
10. Secure the end of the Caster Panel (#4) to the End Panel (#1) using Machine Screw, 1/4-20 x 3.15 (#13), Washer, 1/4 x 5/8 OD (#14) and Wing Nut, 1/4-20 (#15). (see figure D)
11. Repeat steps 7 through 10 on the opposite end of the Cross Panel/Stiffener assembly.



ASSEMBLY CONTINUED

12. To assemble the remainder Cross Panel/Stiffener assemblies to the rack;
 - a. Repeat step 7.
 - b. Using Machine Screws 1/4-20 x 3.15 (#13), assemble the other Cross Panel/Stiffener assembly to the End Panels (#1) shown. (see figure E)

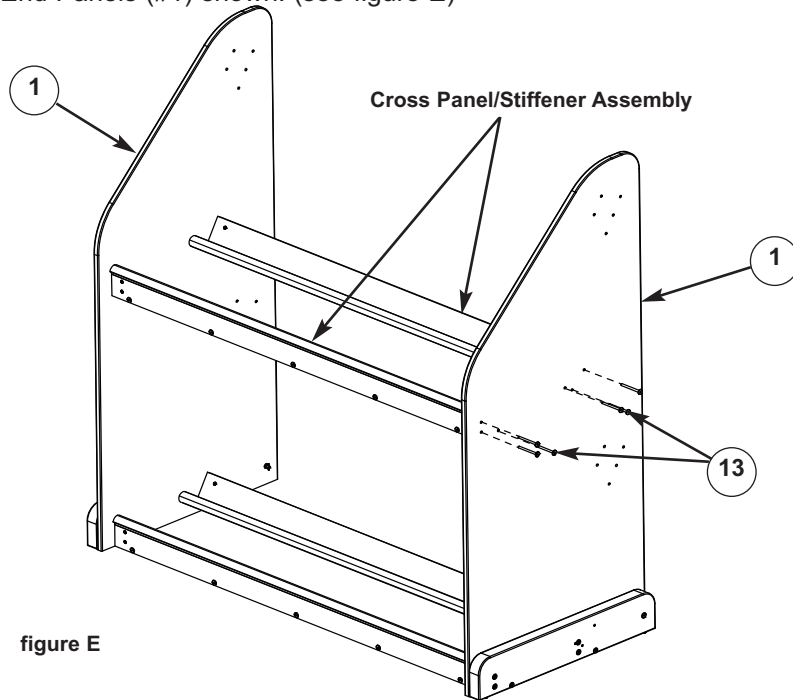


figure E

13. To assemble the Yoke Mount Panel/Yoke Stiffener assemblies to the rack;
 - a. Using Hex Socket Lag Screws (#16), assemble the other Yoke Mount Panel/Yoke Stiffener assembly to the End Panels (#1) shown. (see figure F)

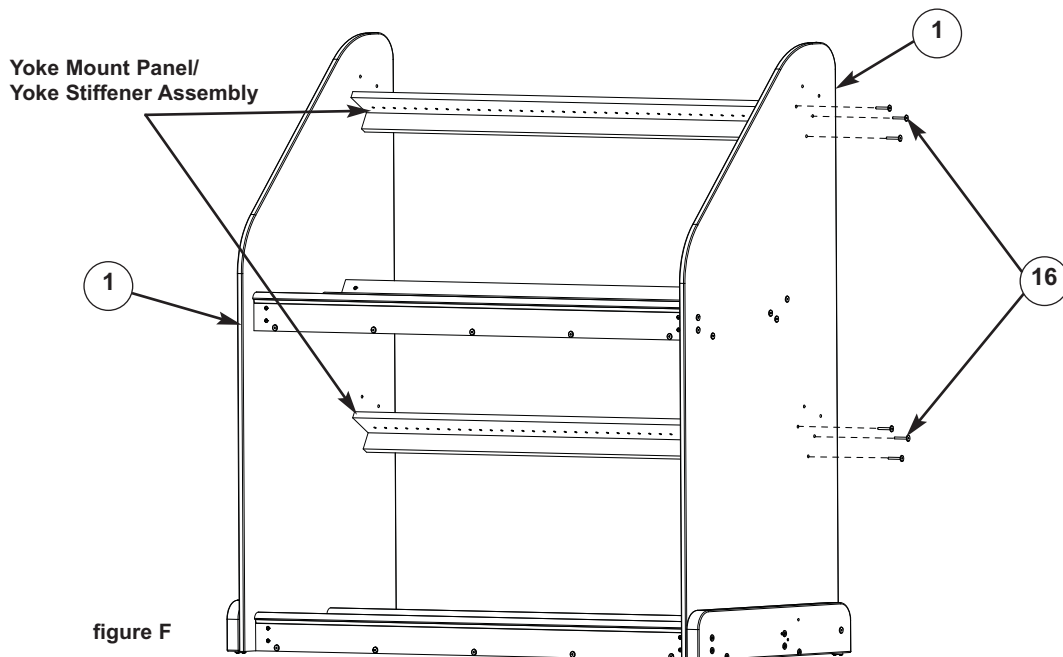


figure F

ASSEMBLY CONTINUED

14. Clear the area behind the Guitar Mobile Rack and place corrugation, cloth or carpet down for protection.
15. With a minimum of two people, gently tip the Guitar Mobile Rack onto it's back.
16. Install the two Swivel Casters with the Brake (#12) carefully into the sockets in the bottom of the Caster Panel (#4) on the front side of the Guitar Mobile Rack. (see figure G)
17. Install the two Swivel Casters without the Brake (#10) carefully into the sockets in the bottom of the Caster Panel (#4) on the back side of the Guitar Mobile Rack.(see figure G)

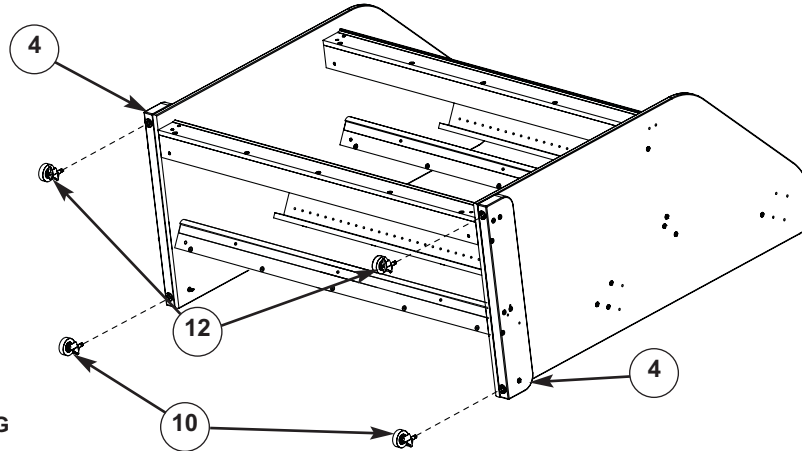


figure G

18. Set the Guitar Mobile Rack upright onto it's casters.
19. Remove the yokes (#9) from the package and install them onto the Yoke Mount Panel/Yoke Stiffener assemblies, using machine screws (#18), washers (#14) and the wing nuts (#15). Wing nuts are assembled at the top of the Yokes mounted on the top Yoke Mount Panel/Yoke Stiffener and on the bottom of the Yokes mounted on the bottom Yoke Mount Panel/Yoke Stiffener. (see figure H)

Note: Some experimentation may be required to find the most secure and convenient position of the instrument in the yokes. You may attach the yokes on the bottom side of the stiffeners for better fit.

Tighten all fasteners before using the Guitar Mobile Storage Rack and routinely check for secure connections.

Note:

If storing Guitars in their cases, remove the individual yokes as they are not needed. Save the yokes and hardware for future use.

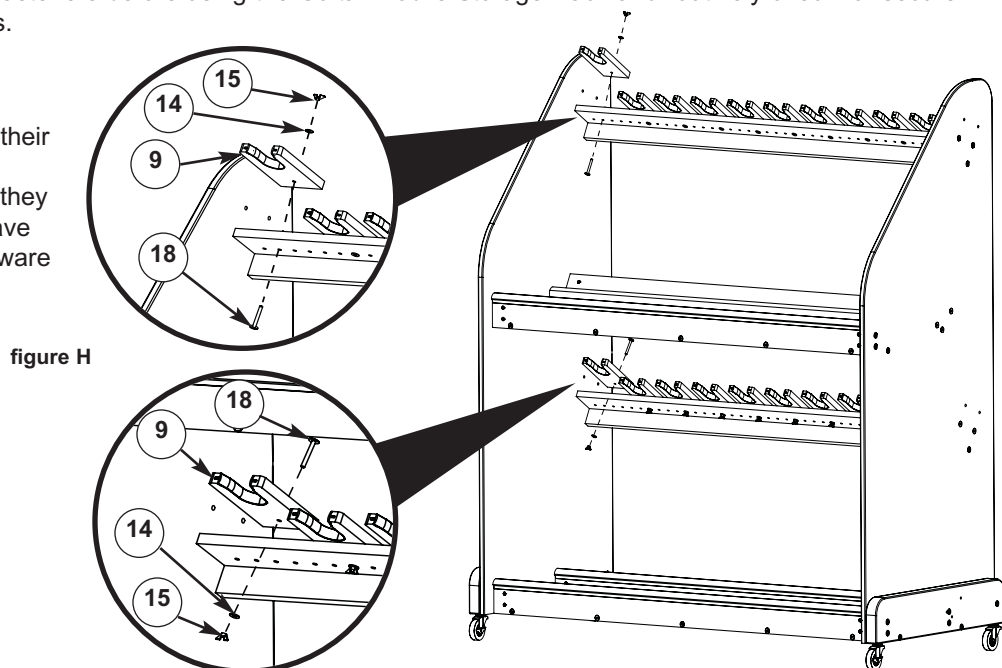


figure H