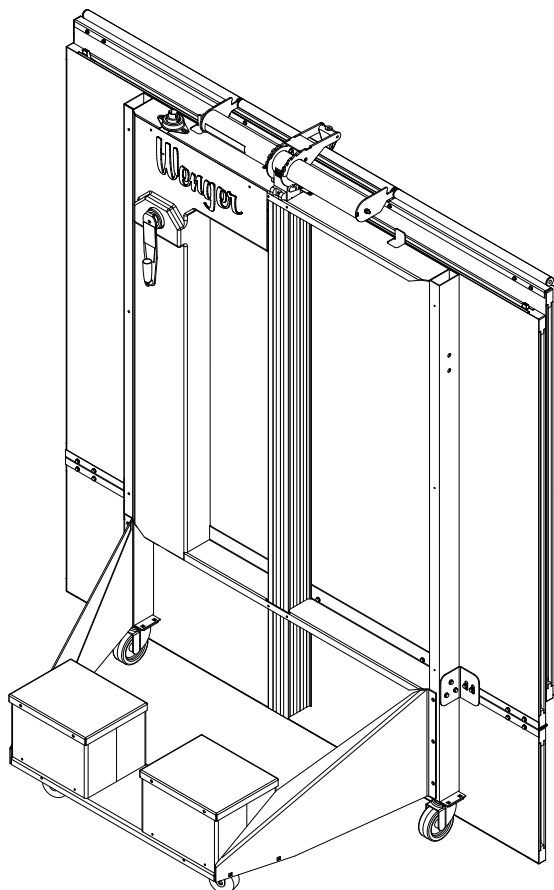


CONTENTS

Safety Precautions	2
Important User Information	3
General	3
Manufacturer	3
Intended Use	3
Panel Rework	4



Note: Please read and understand these Rework Instructions for the Legacy Panel before assembling the parts.

Note: Remove all items from the shipping cartons and arrange them in a convenient location. Refer to the illustrations on the following pages. If you need additional information, contact the Wenger Corporation using the information below.

SAFETY PRECAUTIONS

Throughout this manual you may find cautions and warnings which are defined as follows.

- **WARNING** means that failure to follow the instruction may result in serious injury or death.
- **CAUTION** means that failure to follow the instruction may result in serious injury or damage to property.

Read all of the safety instructions before working on the Legacy Panels.

<p>⚠ CAUTION</p> <p><i>Make sure that anyone working on the Legacy Basic Shell has read and understands this manual.</i></p>	<p>⚠ CAUTION</p> <p><i>Always observe and comply with the Warnings and Cautions posted on the system equipment.</i></p>	<p>⚠ CAUTION</p> <p><i>Failure to comply with Warnings and Cautions in this document can result in damage to property or serious injury.</i></p>
<p>⚠ CAUTION</p> <p><i>Never use the Legacy Acoustical Shell to support scenery, signs, lighting, etc.</i></p>	<p>⚠ CAUTION</p> <p><i>Never move the Legacy Acoustical Shell more than a few feet when it is in the Performance Position.</i></p>	<p>⚠ CAUTION</p> <p><i>Always have the Legacy Acoustical Shell in the Storage Position when moving to different locations.</i></p>

IMPORTANT USER INFORMATION

GENERAL

Copyright © 2011 by Wenger Corporation

All rights reserved. No part of the contents of this manual may be reproduced, copied, or transmitted in any form or by any means including graphic, electronic, or mechanical methods or photocopying, recording, or information storage and retrieval systems without the written permission of the publisher, unless it is for the purchaser's personal use.

Printed and bound in the United States of America.

The information in this manual is subject to change without notice and does not represent a commitment on the part of Wenger Corporation. Wenger Corporation does not assume any responsibility for any errors that may appear in this manual.

In no event will Wenger Corporation be liable for technical or editorial omissions made herein, nor for direct, indirect, special, incidental, or consequential damages resulting from the use or defect of this manual.

The information in this document is not intended to cover all possible conditions and situations that might occur. The end user must exercise caution and common sense when assembling or installing Wenger Corporation products. If any questions or problems arise, call Wenger Corporation at 1-800-887-7145.

MANUFACTURER

The Legacy Acoustical Shell is manufactured by:

Wenger Corporation
555 Park Drive
Owatonna, MN 55060
1-800-4WENGER (493-6437) • 1-507-455-4100
www.wengercorp.com

INTENDED USE

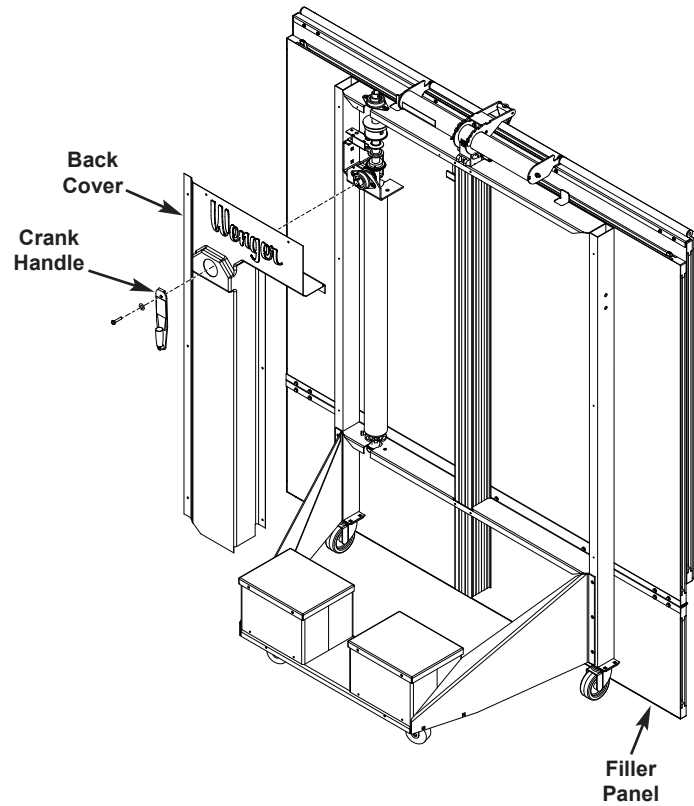
- This product is designed to be an acoustical reflector for vocal or instrumental groups. Shells may also be used as a backdrop or as a screen for other functions such as speeches and ceremonies.
- This product is intended for indoor use in normal ambient temperature and humidity conditions.

PANEL REWORK

1. Move the Legacy Acoustical Shell and Rework Kit to a flat surface area that has enough space to work in.
In addition to the replacement Middle Panel, the kit contains a Hardware pack.
Check the contents of the Hardware Pack. It should contain the following:

6	0.25 x 0.375 x 0.25 Flange Bearings	2	#10-16 x 0.75 Self Drilling Screws
12	1/4-20 x 1 Self Drilling Screws	2	Legacy Retrofit Brackets
10	1/4-14 x 3/4 Tapping Screws		

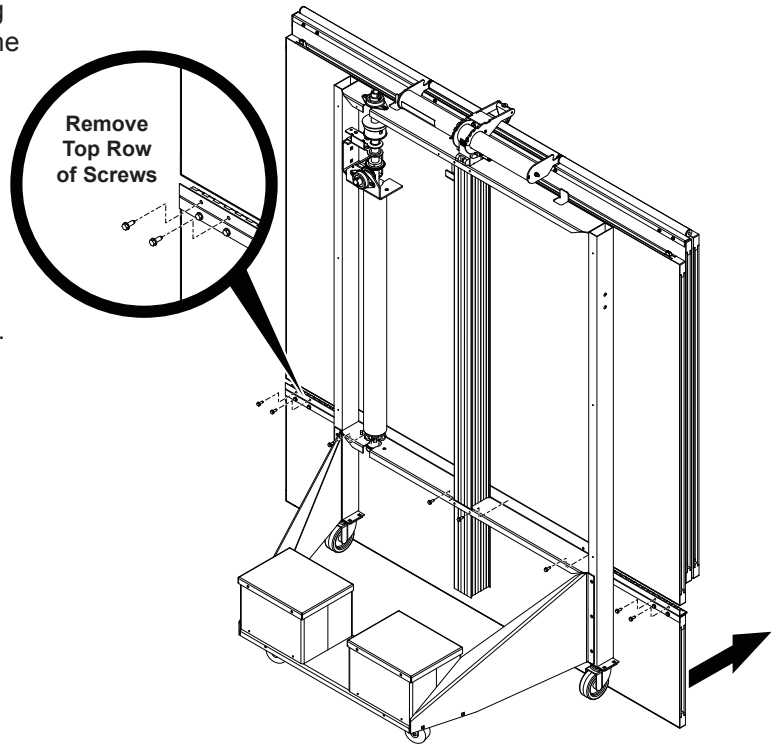
2. Unfold the Filler Panel.
3. Remove the Crank Handle and Back Cover to access the hidden screws securing the Filler and Middle Panels.



PANEL REWORK CONTINUED

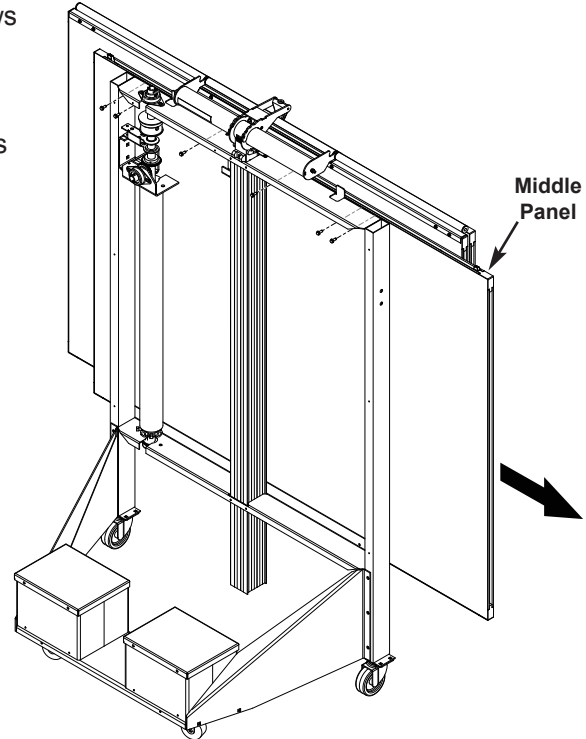
4. Detach the Filler Panel by removing the top row of screws that secure the Hinge to the bottom of the warped Middle Panel.

Secure or have someone hold the Filler Panel so that it does not drop to the ground when the screws are removed. Allowing the Filler Panel to drop could result in damage to the panel.



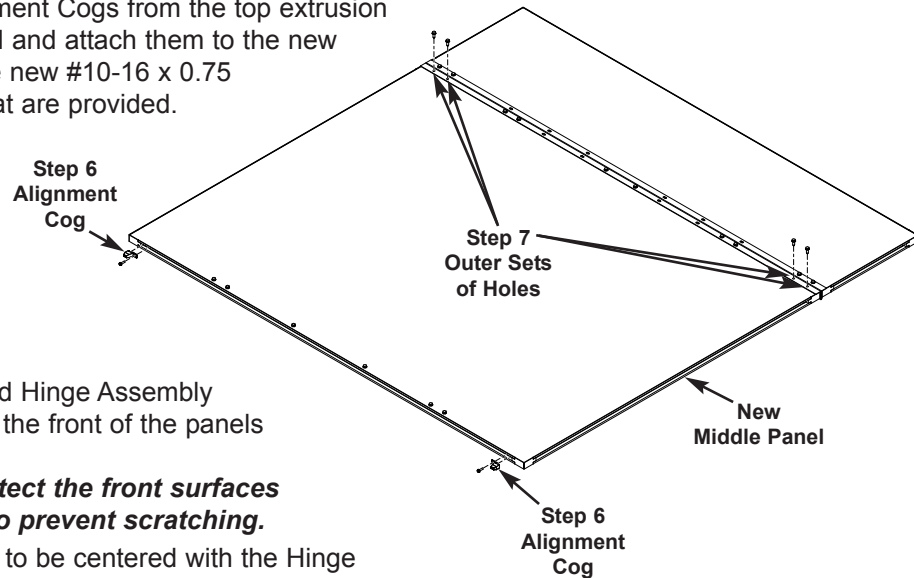
5. Detach the Middle Panel by removing the six screws that secure the Middle Panel to the Frame.

Secure or have someone hold the Middle Panel so that it does not drop to the ground when the screws are removed.



PANEL REWORK CONTINUED

- Remove the two Alignment Cogs from the top extrusion of the old Middle Panel and attach them to the new Middle Panel using the new #10-16 x 0.75 Self Drilling Screws that are provided.



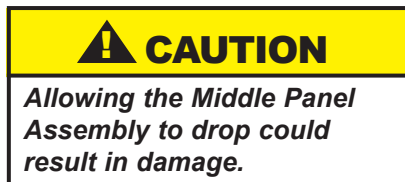
- Lay the Filler Panel and Hinge Assembly flat on the ground with the front of the panels facing down.

Note: *Be sure to protect the front surfaces of the panels to prevent scratching.*

Align the Middle Panel to be centered with the Hinge Assembly. Be sure that the Hinge Assembly is flush with the Filler Panel. Attach the Filler Panel and Hinge Assembly to the new Middle Panel with two $\frac{1}{4}$ -14 x $\frac{3}{4}$ " Tapping Screws in the outer set of holes on each side.

- Lift the new Middle Panel Assembly into place. Be sure that the top of the Middle Panel is flush with the top of the Upright Tubes and centered with the other panels.

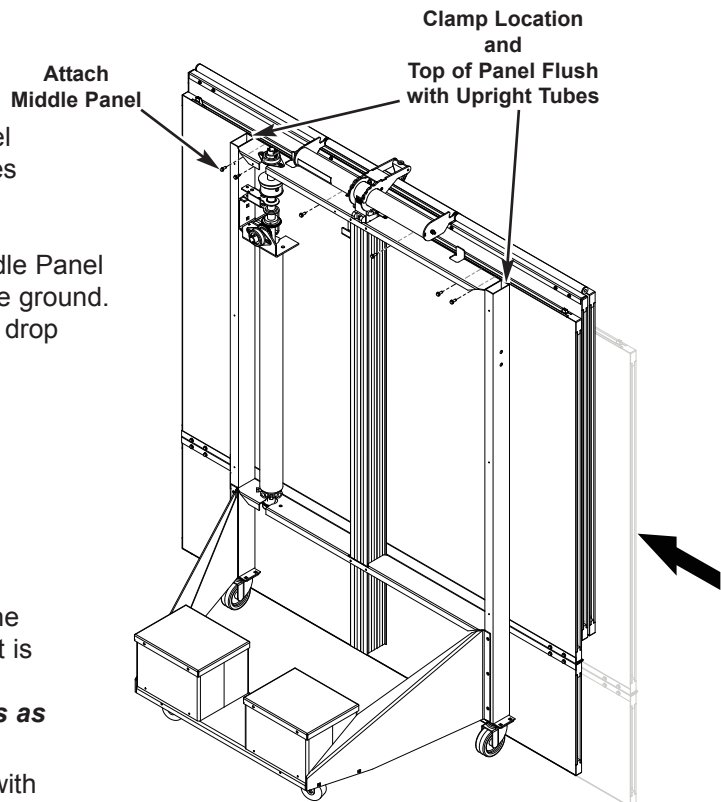
Secure or have someone hold the Middle Panel Assembly so that it does not drop to the ground. Allowing the Middle Panel Assembly to drop could result in damage.



The Middle Panel can be clamped to the Upright Tubes to hold it in place while it is being attached to the Frame.

Note: *Do not overtighten the clamps as this could damage the panel.*

- Attach the Middle Panel to the Frame with six $\frac{1}{4}$ -14 x $\frac{3}{4}$ " Tapping Screws using the existing holes in the Frame.



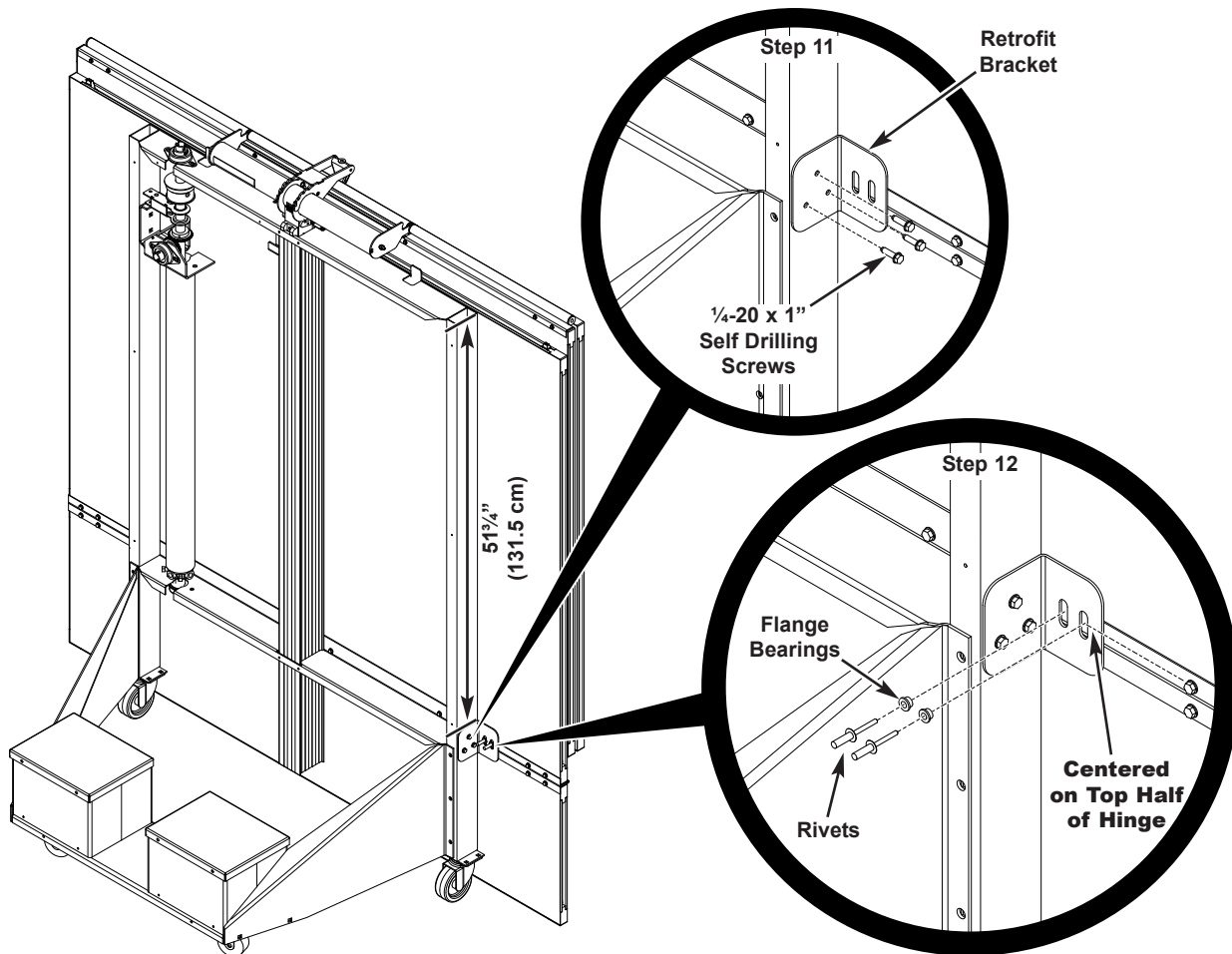
PANEL REWORK CONTINUED

10. From the top outside edge of one Upright Tube, measure down $51\frac{3}{4}$ " (131.5 cm) and mark the location.
Align the top edge of the Retrofit Bracket with this mark and check to be sure that the slotted holes are centered on the top half of the Hinge.
11. At this location, attach the Retrofit Bracket to the Upright Tube using three $\frac{1}{4}$ -20 x 1" Self Drilling Screws.
12. Attach the Retrofit Bracket to the Middle Panel using two Flange Bearings and two Rivets.
Be sure that the Flange Bearing is flush with the Hinge.
Using the slotted holes of Retrofit Bracket as a template, drill two $\frac{1}{4}$ " diameter holes through the top half of the Hinge and into the rear of the Middle Panel to accept the Rivet.

IMPORTANT: Only drill into the Middle Panel, do not drill all of the way through it.

The $\frac{1}{4}$ " hole should be horizontally centered in the slots and vertically centered on the Hinge. This should locate the Rivets in the upper half of the slots. If not, reposition the Retrofit Bracket on the Upright Tube.

13. Repeat steps 10-12 to mount the remaining Retrofit Bracket to the other Upright Tube.



PANEL REWORK CONTINUED

14. Re-attach the Back Cover and Crank Handle that were removed in Step 3.
15. Test the full operation of the entire Acoustical Shell and clean-up as needed.

