

Mobile Folio Cabinets

- Wall panels and optional lockable doors are 3/4" (19 mm) thick industrial grade composite wood with no added formaldehyde and polyester laminate finish in Wenger standard colors.
- Shelves are 1/8" (3 mm) thick tempered hardboard.
- Choral shelves are 11-1/2" wide x 12-1/2" deep (292 x 318 mm) and Band/Orchestra shelves are 14-1/4" wide x 14-1/2" deep (362 x 368 mm).
- Available in 1", 1-1/2", 2", 2-1/2", and 3" (25, 38, 51, 63, and 76 mm) shelf height openings to accommodate various thicknesses of folios.
- Shelf support columns are extruded aluminum with black powder-coat paint finish.
- Each cabinet includes four 3" (76 mm) swivel casters (two locking) to make transport easy. Four column choral cabinet contains six swivel casters for added support when transporting.
- UL GREENGUARD Certified - Product certified for low chemical emissions: ul.com/gg - UL 2818.
- Environmental attributes and LEED compliance for this product can be found at www.wengercorp.com/GREEN or by contacting your Wenger representative.
- Number strips included for all shelf spacing options.
- Cabinets are shipped fully assembled.
- Wall mounting bracket included for tall folio cabinets.
- Ten-year warranty.

Mobile Choral Folio Cabinets:

146M022, Two-column Choral Folio Cabinet:

- Cabinet only 125 lbs. (57 kg), with doors: 149 lbs. (68 kg) (based on 1-1/2" shelf spacing).
- Cabinet is 26-3/4" wide x 17-5/8" deep x 50-7/8" high (679 x 448 x 1292 mm).

146M023, Three-column Choral Folio Cabinet:

- Cabinet only 169 lbs. (77 kg), with doors: 205 lbs. (93 kg) (based on 1-1/2" shelf spacing).
- Cabinet is 39-7/16" wide x 17-5/8" deep x 50-7/8" high (1002 x 448 x 1292 mm).

146M024, Four-column Choral Folio Cabinet:

- Cabinet only 216 lbs. (99 kg), with doors: 298 lbs. (135 kg) (based on 1-1/2" shelf spacing).
- Cabinet is 51-3/4" wide x 17-5/8" deep x 50-7/8" high (1314 x 448 x 1292 mm).

Mobile Band/Orchestra Folio Cabinets:

146M032, Two-column Band/Orchestra Folio Cabinet:

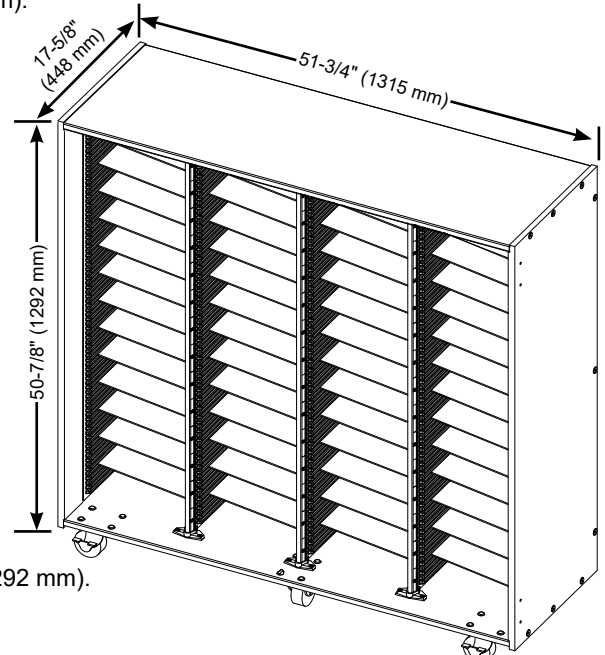
- Cabinet only 147 lbs. (67 kg), with doors: 178 lbs. (81 kg) (based on 1-1/2" shelf spacing).
- Cabinet is 32-7/16" wide x 17-5/8" deep x 50-7/8" high (824 x 448 x 1292 mm).

146M033, Three-column Band/Orchestra Folio Cabinet:

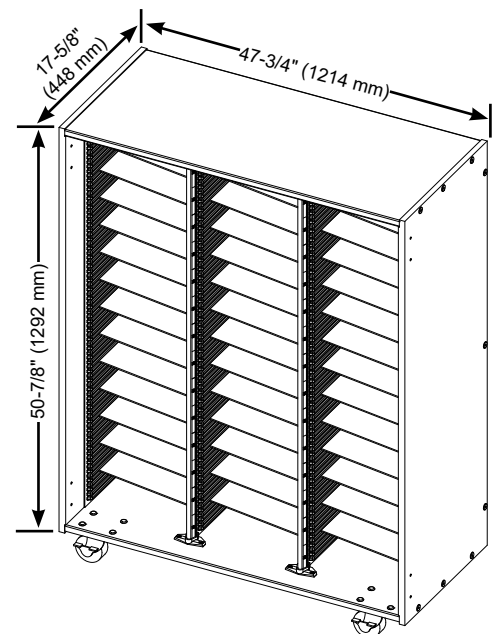
- Cabinet only 205 lbs. (93 kg), with doors: 250 lbs. (114 kg) (based on 1-1/2" shelf spacing).
- Cabinet is 47-3/4" wide x 17-5/8" deep x 50-7/8" high (1213 x 448 x 1292 mm).

Shelf Spacing Capacity

Cabinet	Shelf Spacing				
	1"	1-1/2"	2"	2-1/2"	3"
2-Column Choral	84	56	42	34	28
3-Column Choral	126	84	63	51	42
4-Column Choral	168	112	84	68	56
2-Column Band/Orchestra	84	56	42	34	28
3-Column Band/Orchestra	126	84	63	51	42



4-Column Choral Folio Cabinet



3-Column Band/Orchestra Folio Cabinet



© 2018 Wenger Corporation
USA/2018-12/W



WENGER CORPORATION

Phone 800.4WENGER (493-6437) Worldwide +1.507.455.4100 | Parts & Service 800.887.7145 | Canada Office 800.268.0148 | wengercorp.com
555 Park Drive, PO Box 448 | Owatonna MN 55060-0448

JR CLANCY

Phone 800.836.1885 Worldwide +1.315.451.3440 | jrclancy.com | 7041 Interstate Island Road | Syracuse NY 13209-9713

GEARBOSS

Phone 800.493.6437 | email gearboss@wengercorp.com | gearboss.com | 555 Park Drive, PO Box 448 | Owatonna MN 55060-0448