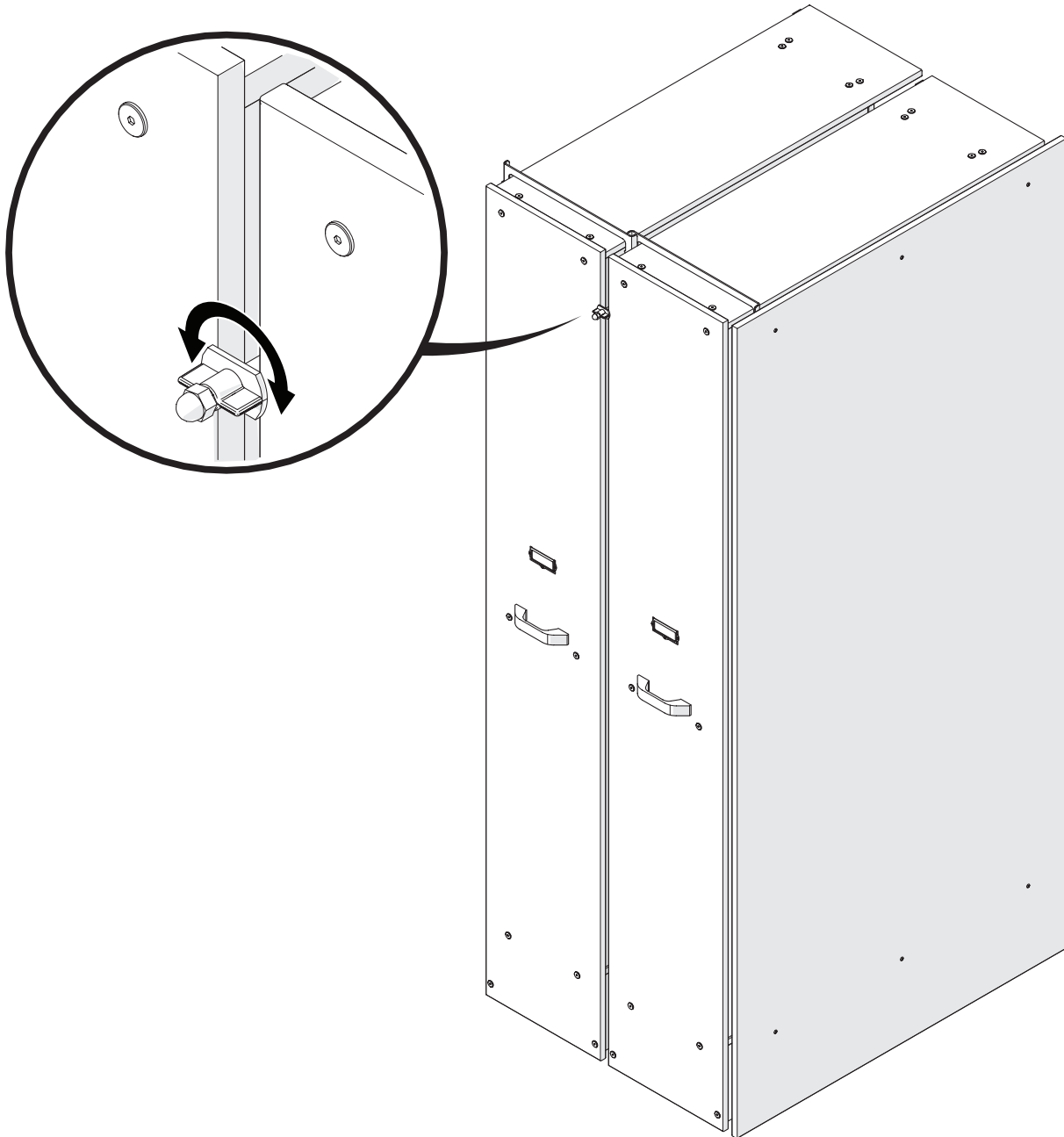




Your Performance Partner

# Assembly Instructions Latch Kit Accessory for Music Library System

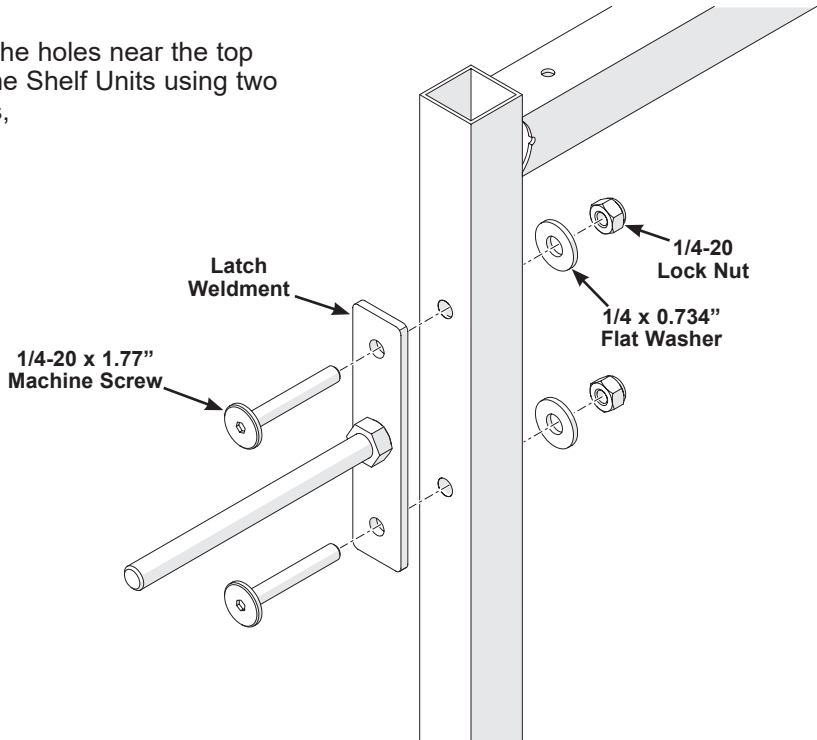


**Note:** Please read and understand these instructions before installing.  
**Note:** If you need additional information, contact Wenger Corporation using the information below.

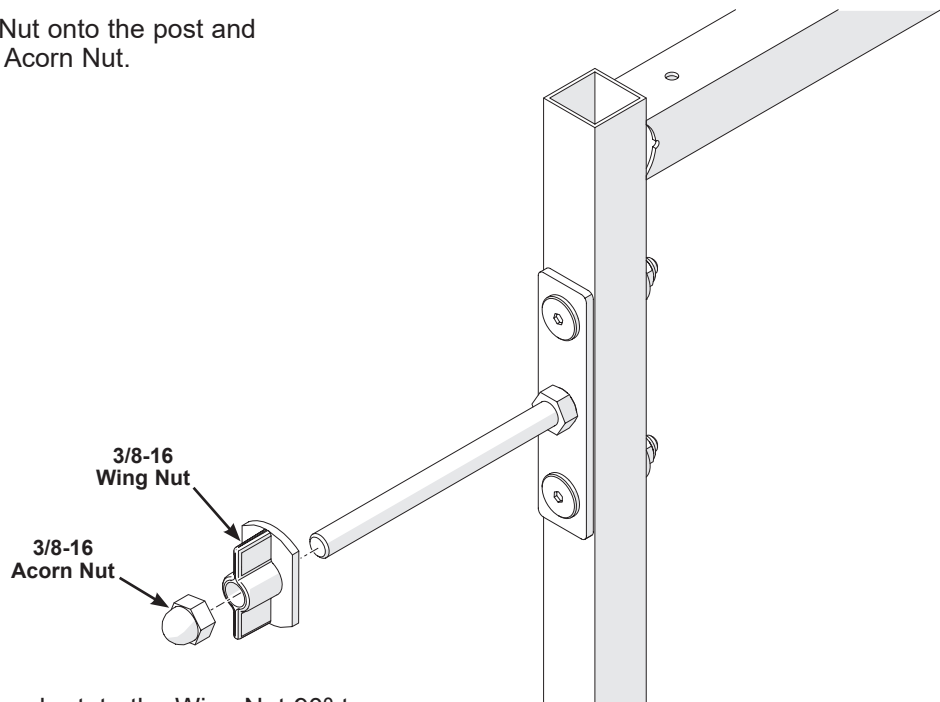
## Assembly

**Assemble the Guide Frames and Shelf Units as indicated in the original instructions before attaching the Latch Kit.  
Install the Latch Kit between two Music Library Shelf Units.**

1. Pull one Shelf Unit open.
2. Attach the Latch Weldment to the holes near the top of the Guide Frame between the Shelf Units using two 1/4-20 x 1.77" Machine Screws, 1/4 x 0.734" Flat Washers and 1/4-20 Lock Nuts.



3. Slide a 3/8-16 Wing Nut onto the post and secure with a 3/8-16 Acorn Nut.



4. Close the Shelf Unit and rotate the Wing Nut 90° to engage (see illustration on previous page).