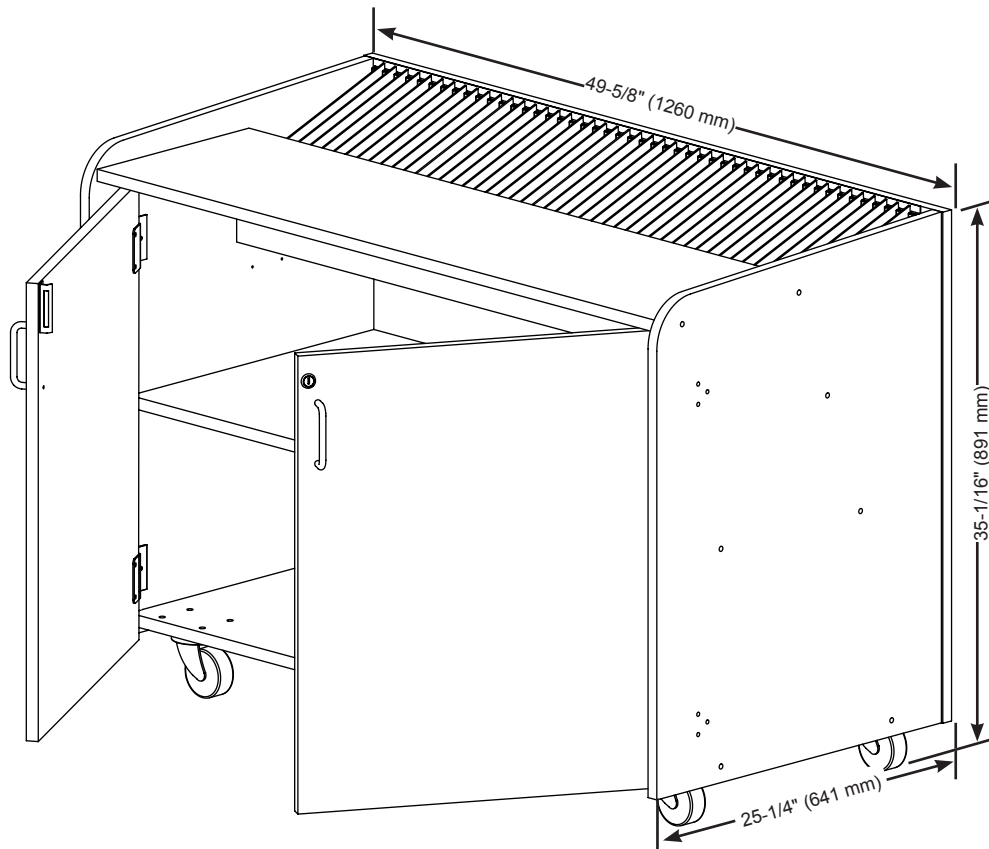


Music Sorting Rack

- 173E050._ 165 lbs. (74 kg).
- Contains 46 vertical slots for individual parts.
- Slot dimension: 1" thick x 10-1/2" deep x 9" high (25 x 267 x 229 mm).
- 1/8" (3 mm)-hardboard dividers keep individual parts separated.
- Cabinet construction is 3/4" (19 mm) thick industrial grade composite wood with no added formaldehyde and polyester laminate finish in Wenger standard colors.
- 1/8" (3 mm) thick PVC edgebanding.
- Instrumentation label provided for each slot.
- Includes four swivel casters.
- Includes two lower storage compartments for additional music.
- Cabinet is shipped assembled.
- Overall dimensions: 49-5/8" wide x 25-1/4" deep x 35-1/16" high (1260 x 641 x 891 mm).
- Optional full-length wood door - same construction as wall panels.
 - Doors must be included at the time of ordering as they can not be installed later.
 - Doors include heavy-duty 5-knuckle institutional ANSI/BHMA A156.9, Grade 1 hinge, through - bolted to cabinet wall.
- UL GREENGUARD Certified - Product certified for low chemical emissions: ul.com/gg - UL 2818.
- Environmental attributes and LEED compliance for this product can be found at www.wengercorp.com/GREEN or by contacting your Wenger representative.
- Ten-year warranty.

Accessories

- 173A052 25 lbs. (11 kg) lockable industrial grade composite wood doors.



© 2017 Wenger Corporation
USA/2017-12/W



WENGER CORPORATION

Phone 800.4WENGER (493-6437) Worldwide +1.507.455.4100 | Fax 507.455.4258 Worldwide +1.507.774.8576
Parts & Service 800.887.7145 | Canada Office 800.268.0148 | Web wengercorp.com | 555 Park Drive, PO Box 448 | Owatonna | MN 55060-0448

JR CLANCY

Phone 800.836.1885 Worldwide +1.315.451.3440 | Fax 877.836.1885 Worldwide +1.315.451.1766 | Web jrclancy.com
7041 Interstate Island Road | Syracuse | NY 13209-9713

GEARBOSS

Phone 800.493.6437 | email gearboss@wengercorp.com | Web gearboss.com | 555 Park Drive, PO Box 448 | Owatonna | MN 55060-0448