

CONTENTS

Before You Begin	2
Warranty	2
Required Tools	2
Fastener Parts List	2
Replacement Parts List	3
Sousaphone Holder Assembly	4
Sousaphone Holder Adjustment	6
Sousaphone Holder Adjustment Notes	6
Routine Maintenance	7

Note: Please read and understand the Sousaphone Holder Assembly Instructions before attempting installation, assembly, or use.

Note: Remove all items from the shipping containers and sort the components by type, size, etc. Refer to the illustrations on the following pages. If you need additional information, contact the Wenger Corporation using the information listed below.

BEFORE YOU BEGIN

Read and understand the complete assembly procedure before you begin.

Remove all items from the shipping carton.

WARRANTY

The Wenger Sousaphone Holder is guaranteed free of defects in materials and workmanship for five full years.

Our guarantee assures you of either a full refund or repair or replacement of the defective materials or workmanship without charge, at the discretion of our Customer Service Department. Just call a Customer Service Representative at 1-800-887-7145 and state the reason you are dissatisfied. If a product return is necessary, your representative will issue a return authorization. This is your sole remedy for breach of this warranty.

Should you have a question or problem with any Wenger product, don't hesitate to call, even if the product is past warranty. It's important to us that all our customers be satisfied.

This is the sole warranty made by Wenger. Wenger disclaims all other warranties, including the warranties of merchantability and fitness for a particular purpose, as well as all liability for incidental, consequential, special, and indirect damage. Wenger liability for direct damages shall be limited to the amount you paid for the product involved. Wenger reserves the right to make product changes without obligation to incorporate such changes into products previously sold.

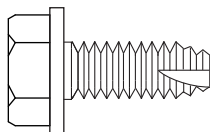
Some states do not allow the exclusion or limitation of damages or warranties, so the above may not apply to you. This warranty gives you specific legal rights. You may also have other rights which vary from state to state.

REQUIRED TOOLS

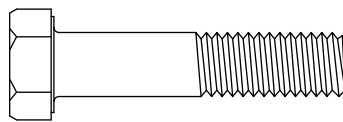
The following tool must be supplied to assemble and install the Sousaphone Holder.

- Electric Drill with $\frac{1}{2}$ " socket or $\frac{1}{2}$ " Socket Wrench.
- In-Lb Torque Wrench is recommended.

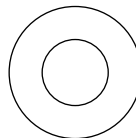
FASTENER PARTS LIST



Screw, Self Tapping,
 $\frac{5}{16}$ x $\frac{3}{4}$ ", Hex Head



Cap Screw,
 $\frac{5}{16}$ -18 x $1\frac{1}{4}$ ", Hex Head

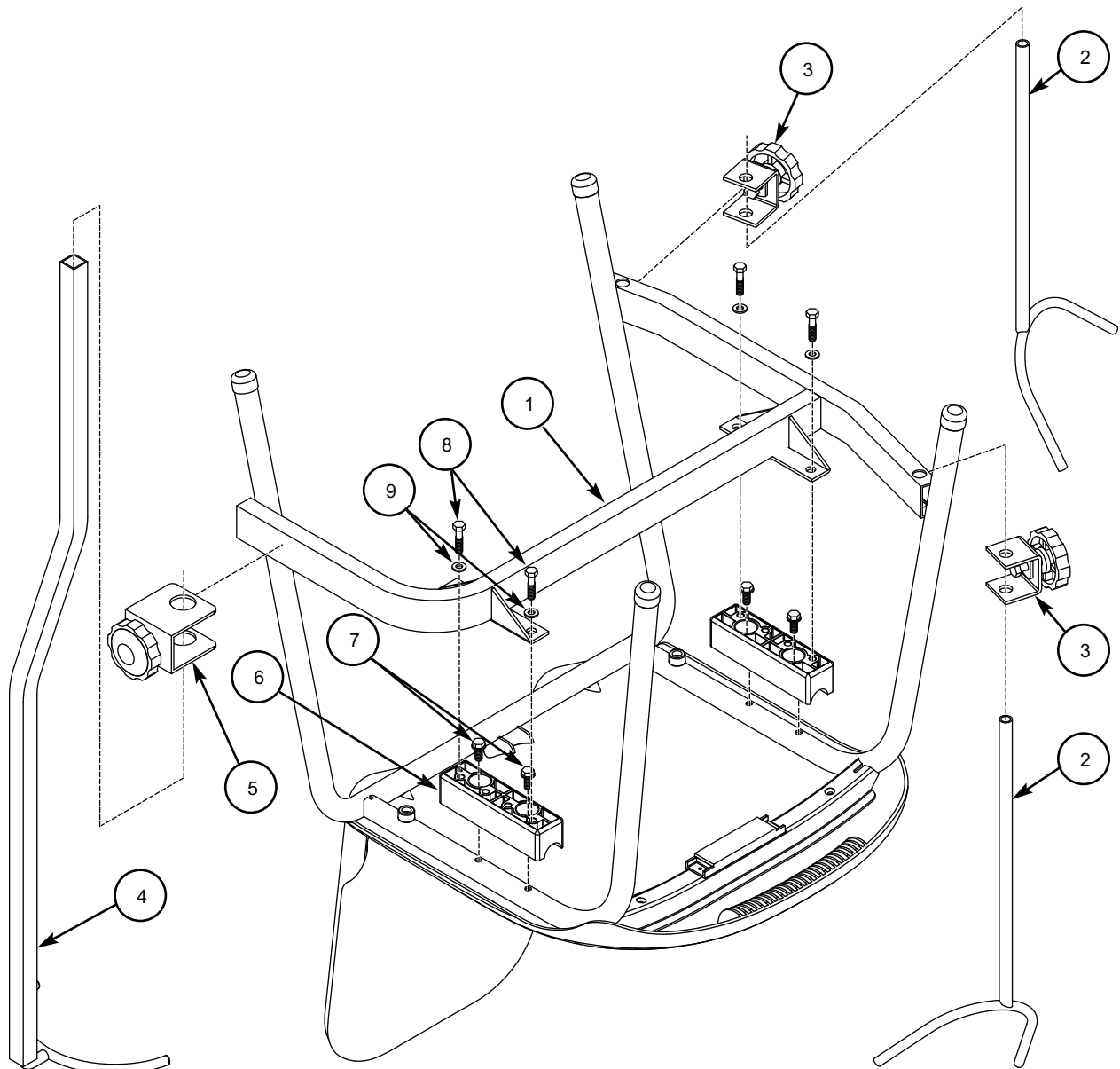


Washer, Flat,
 $\frac{5}{16}$ " ID

REPLACEMENT PARTS LIST

Item	Qty	Description
1	1	Base Assembly
2	2	Lower Support Arm
3	2	Lower Handle and Bracket Assembly
4	1	Upper Support Arm
5	1	Upper Handle and Bracket Assembly

Item	Qty	Description
6	2	Adapter Bracket
7	4	Screw, Self Tapping, $\frac{5}{16}$ x $\frac{3}{4}$ " Hex Head
8	4	Cap Screw, $\frac{5}{16}$ -18 x $1\frac{1}{4}$ " Hex Head
9	4	Washer, Flat, $\frac{5}{16}$ " ID

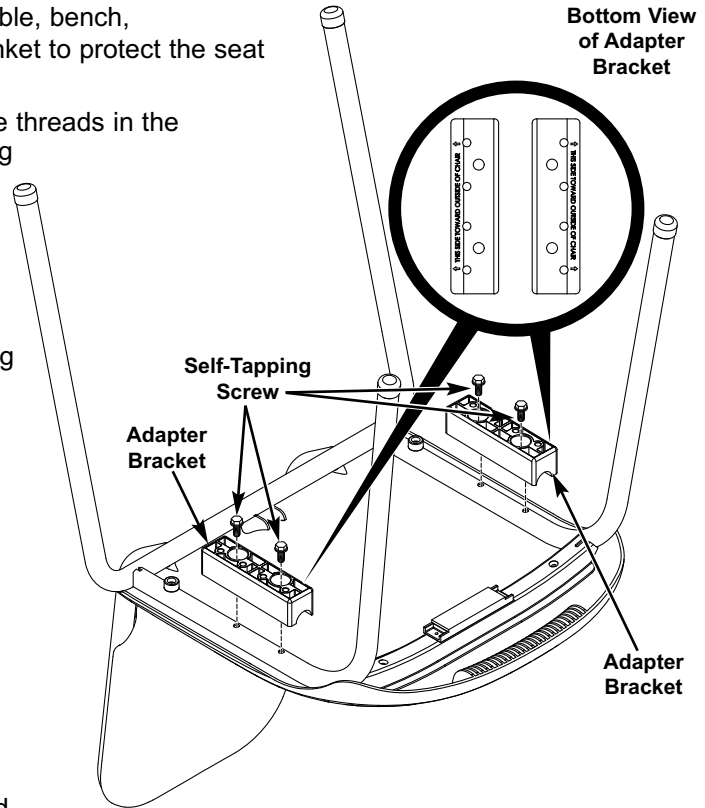


SOUSAPHONE HOLDER ASSEMBLY

1. Place the Nota Chair upside down on a table, bench, or floor surface covered with a pad or blanket to protect the seat and back surfaces.
2. Pre-cut the Adapter Bracket mounting hole threads in the pre-punched holes of the chair frame using the $\frac{5}{16}$ x $\frac{3}{4}$ " Self-Tapping Screws (3). This is easiest done with an Electric Drill fitted with a $\frac{1}{2}$ " Socket, but can also be done with a Socket Wrench, although more difficult. It is easier to obtain straight threads with an Electric Drill, which makes the mounting of the Base Assembly easier. After cutting the threads, remove the Self-Tapping Screws.
3. Orientate the four threaded holes of the Adapter Bracket (6) towards the outside of the chair as marked on the Bracket.

Attach both Adapter Brackets (6) to the underside of the chair. Use the two $\frac{5}{16}$ x $\frac{3}{4}$ " Self-Tapping Screws (7) in each Bracket.

Make sure the four threaded holes of the Adapter Bracket (6) are oriented towards the outside of the chair as marked on the adapter.

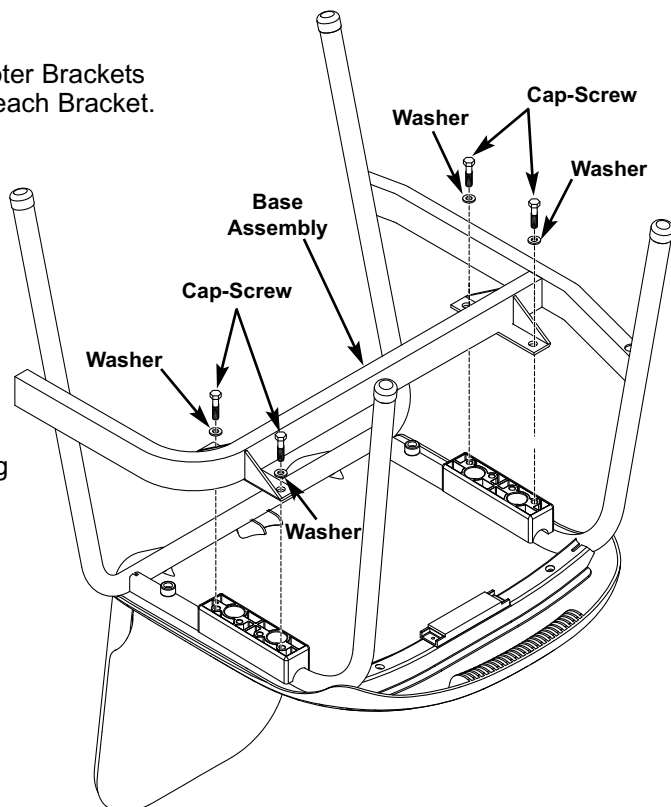


4. Attach the Base Assembly (1) to the Adapter Brackets using the first and last threaded holes of each Bracket.
 - a. Use four $\frac{5}{16}$ -18 x $1\frac{1}{4}$ " Cap Screws (8) and four $\frac{5}{16}$ Washers (9).

Note: Make sure that the Cap Screws are hand started into the threaded holes of the Adapter Bracket before tightening with a wrench. The Base Assembly may have to be moved around slightly to start all four of the Cap Screws in the threaded holes.

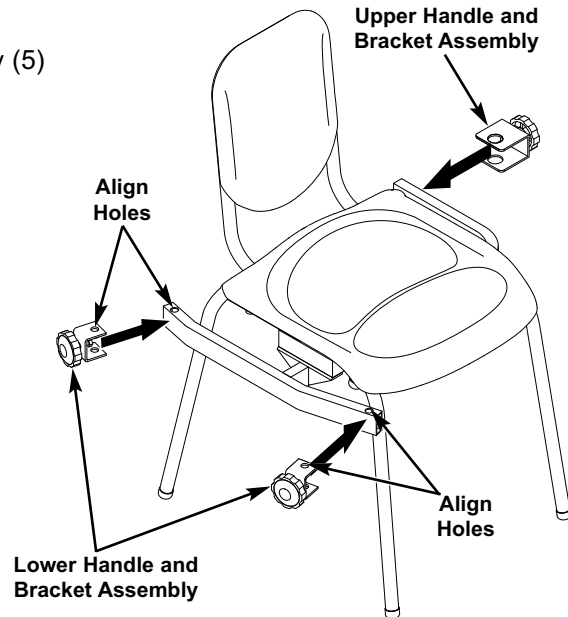
- b. Tighten the Cap Screws with a wrench but do not exceed a tightening torque of 14 ft-lbs (170 in-lbs). Over tightening the screws may damage the threads in the Brackets.

The use of an In-Lb Torque Wrench is highly recommended to prevent over-tightening of the screws.

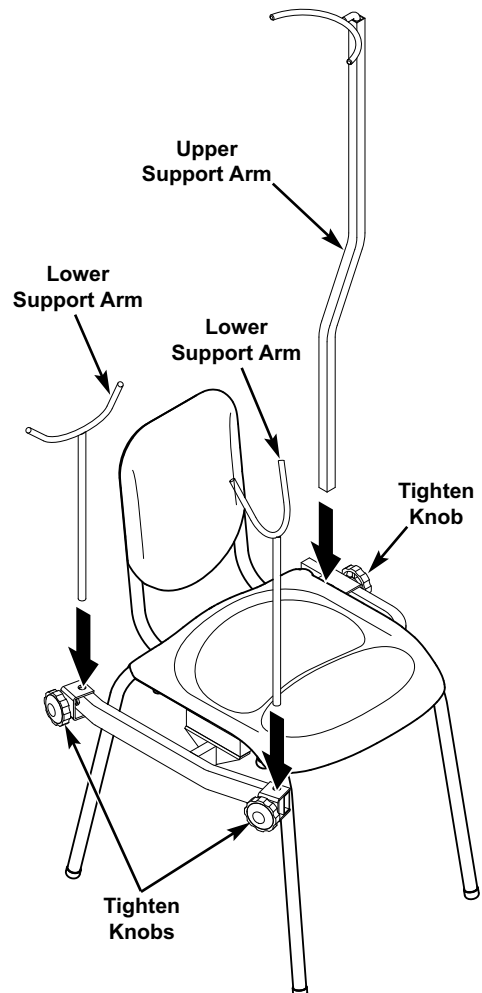


SOUSAPHONE HOLDER ASSEMBLY CONTINUED

5. Place the Nota Chair upright.
6. Slide the Upper Handle and Bracket Assembly (5) over the straight side of the Frame.
7. Slide both of the Lower Handle and Bracket Assemblies (3) over the bent side of the Frame. Align the holes in each Lower Handle and Bracket Assembly with the holes in the Frame.



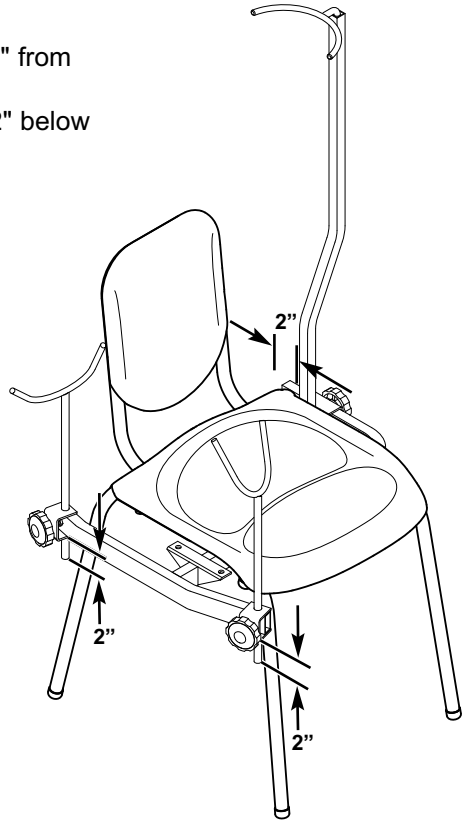
8. Slide the Upper Support Arm (4) through the holes in the Upper Handle and Bracket Assembly. Tighten the Knob just enough to hold the Upper Support Arm in place.
9. Slide the Lower Support Arms (2) through the aligned holes of each Lower Handle and the Bracket Assembly. Tighten the Knobs just enough to hold each Lower Support Arm in place.



SOUSAPHONE HOLDER ADJUSTMENT

Note: Two people are required to properly adjust the Sousaphone Holder.

1. As a starting point:
 - a. Position the Upper Handle and Bracket Assembly about 2" from the end of the frame.
 - b. Position both Lower Support Arms so they extend about 2" below the Lower Handle and Bracket Assemblies.
2. Place the Sousaphone on all three Support Arms.
3. Make additional holder adjustments as required. See "Sousaphone Holder Adjustment Notes".
4. To assume the playing position:
 - a. Sit on the front left corner of the chair.
 - b. With your left hand, move the Sousaphone to the right, away from the Upper Support Arm (resting its weight on the Lower Support Arms).
 - c. Lower your head and slide into the playing position.
 - d. Allow the instrument to return to its original position.



SOUSAPHONE HOLDER ADJUSTMENT NOTES

- When the holder is adjusted properly, the sousaphone will assume a natural balanced position.
- When you look at the sousaphone from the back, the large tapered tube (bell bow) just below the bell should be vertical. The upper instrument support on the holder should be positioned against the bell bow.
- Almost all sousaphones have one long lead-in pipe and two short pipes connecting the mouthpiece. Be sure they move freely, so the holder can be properly adjusted to individual players.
- Adjust the support arms so the instrument is raised just slightly above the shoulder of a player sitting upright in the chair. If the player is broad-shouldered and heavy, the lower supports can be raised and the upper one lowered, to give the player more room.



ROUTINE MAINTENANCE

- Frequently place a few drops of oil on the knob threads.
- Replace damaged parts promptly.