

## CONTENTS

Before You Begin .....	2
Warranty .....	2
Required Tools .....	2
Fastener Parts List .....	2
Replacement Parts List .....	3
Tuba Rest Assembly .....	4

**Note:** Please read and understand the Tuba Rest Assembly Instructions before attempting installation, assembly, or use.

**Note:** Remove all items from the shipping containers and sort the components by type, size, etc. Refer to the illustrations on the following pages. If you need additional information, contact the Wenger Corporation using the information listed below.

## **BEFORE YOU BEGIN**

---

Read and understand the complete assembly procedure before you begin.

Remove all items from the shipping carton.

## **WARRANTY**

---

The Wenger Tuba Rest is guaranteed free of defects in materials and workmanship for five full years.

Our guarantee assures you of either a full refund or repair or replacement of the defective materials or workmanship without charge, at the discretion of our Customer Service Department. Just call a Customer Service Representative at 1-800-887-7145 and state the reason you are dissatisfied. If a product return is necessary, your representative will issue a return authorization. This is your sole remedy for breach of this warranty.

Should you have a question or problem with any Wenger product, don't hesitate to call, even if the product is past warranty. It's important to us that all our customers be satisfied.

This is the sole warranty made by Wenger. Wenger disclaims all other warranties, including the warranties of merchantability and fitness for a particular purpose, as well as all liability for incidental, consequential, special, and indirect damage. Wenger liability for direct damages shall be limited to the amount you paid for the product involved. Wenger reserves the right to make product changes without obligation to incorporate such changes into products previously sold.

Some states do not allow the exclusion or limitation of damages or warranties, so the above may not apply to you. This warranty gives you specific legal rights. You may also have other rights which vary from state to state.

## **REQUIRED TOOLS**

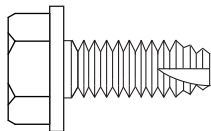
---

The following tool must be supplied to assemble and install the Tuba Rest.

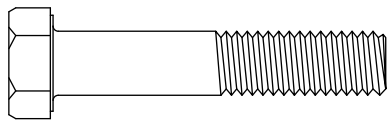
- Electric Drill with  $\frac{1}{2}$ " socket or  $\frac{1}{2}$ " Socket Wrench.
- In-Lb Torque Wrench is recommended.

## **FASTENER PARTS LIST**

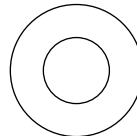
---



Screw, Self Tapping,  
 $\frac{5}{16}$  x  $\frac{3}{4}$ ", Hex Head



Cap Screw,  
 $\frac{5}{16}$ -18 x  $1\frac{3}{4}$ ", Hex Head

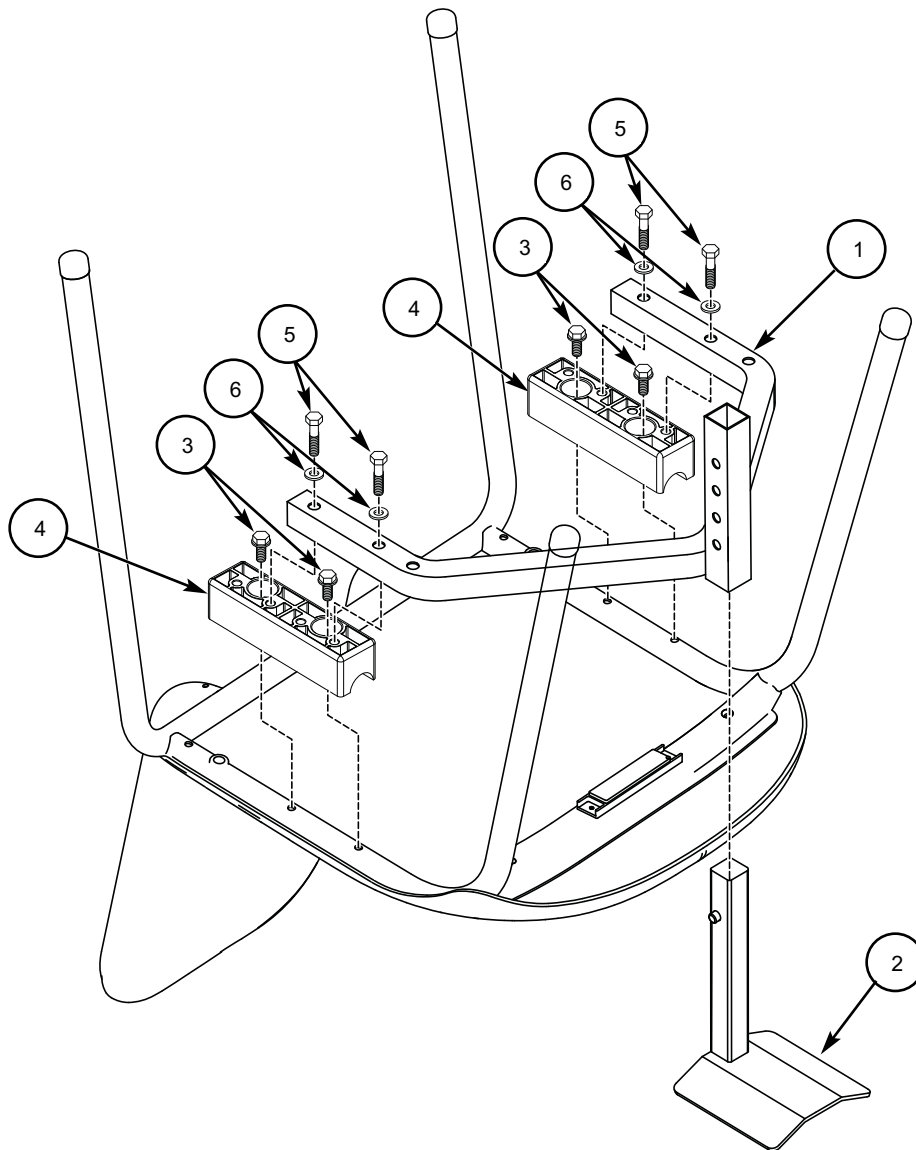


Washer, Flat,  
 $\frac{5}{16}$ " ID

# REPLACEMENT PARTS LIST

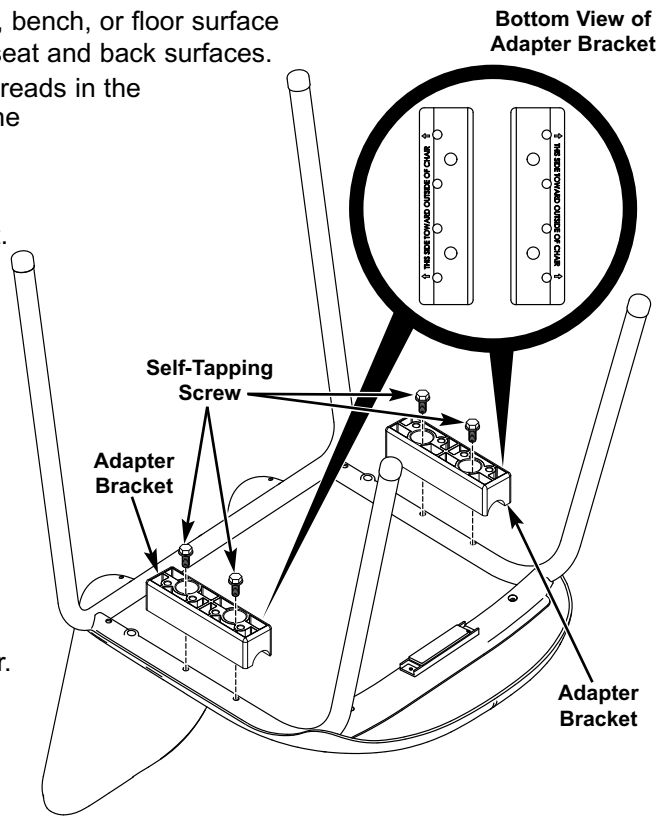
---

<u>Item</u>	<u>Qty</u>	<u>Description</u>
1	1	Base Assembly
2	1	Rest Assembly
3	4	Screw, Self Tapping, $\frac{5}{16}$ x $\frac{3}{4}$ " Hex Head
4	2	Adapter Bracket
5	4	Cap Screw, $\frac{5}{16}$ -18 x $1\frac{3}{4}$ " Hex Head
6	4	Washer, Flat, $\frac{5}{16}$ " ID



# TUBA REST ASSEMBLY

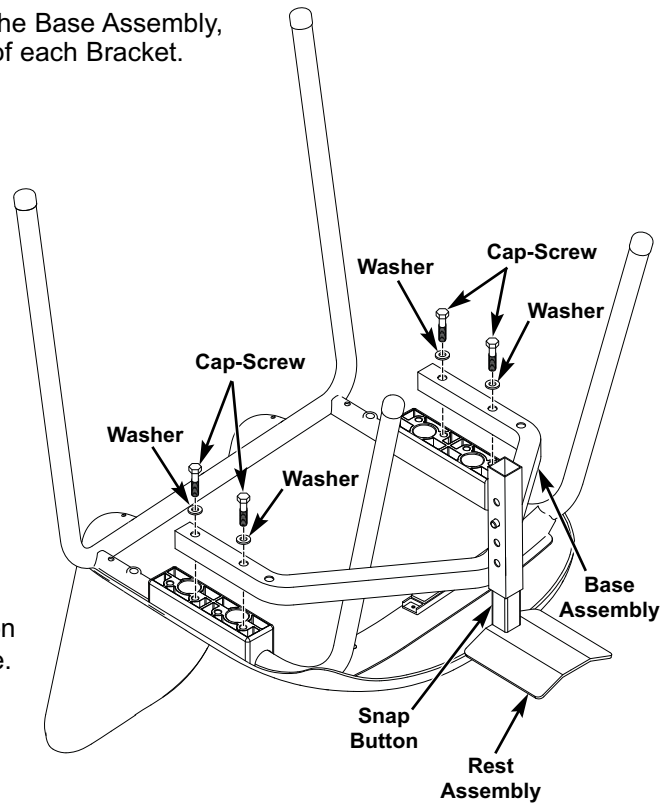
- Place the Nota Chair upside down on a table, bench, or floor surface covered with a pad or blanket to protect the seat and back surfaces.
- Pre-cut the Adapter Bracket mounting hole threads in the pre-punched holes of the chair frame using the  $\frac{5}{16} \times \frac{3}{4}$ " Self-Tapping Screws (3).  
This is easiest done with an Electric Drill fitted with a  $\frac{1}{2}$ " Socket, but can also be done with a Socket Wrench, although more difficult. It is easier to obtain straight threads with an Electric Drill, which makes the mounting of the Base Assembly easier. After cutting the threads, remove the Self-Tapping Screws.
- Orientate the four threaded holes of the Adapter Bracket (4) towards the outside of the chair as marked on the Bracket. Attach both Adapter Brackets (4) to the underside of the chair. Use the two  $\frac{5}{16} \times \frac{3}{4}$ " Self-Tapping Screws (3) in each Bracket. Make sure the four threaded holes of the Adapter Bracket (4) are oriented towards the outside of the chair as marked on the adapter.



- Press the Snap Button and remove the Rest Assembly from the Base Assembly. Attach the Base Assembly (1) to the Adapter Brackets using the middle and rear holes of the Base Assembly, and the first (front) and third threaded holes of each Bracket.
  - Use four  $\frac{5}{16}$ -18 x  $1\frac{1}{4}$ " Cap Screws (8) and four  $\frac{5}{16}$  Washers (9).

**Note:** Make sure that the Cap Screws are hand started into the threaded holes of the Adapter Bracket before tightening with a wrench. The Base Assembly may have to be moved around slightly to start all four of the Cap Screws in the threaded holes.

  - Tighten the Cap Screws with a wrench but do not exceed a tightening torque of 14 ft-lbs (170 in-lbs). Over tightening the screws may damage the threads in the Brackets.



- The use of an In-Lb Torque Wrench is highly recommended to prevent over-tightening of the screws.
- Place the chair upright. Press the Snap Button and slide the Rest Assembly (2) into the base. Top Plate of Rest Assembly can face forward (as shown) or backward. To adjust height of Rest Assembly, position the Snap Button in the appropriate hole.