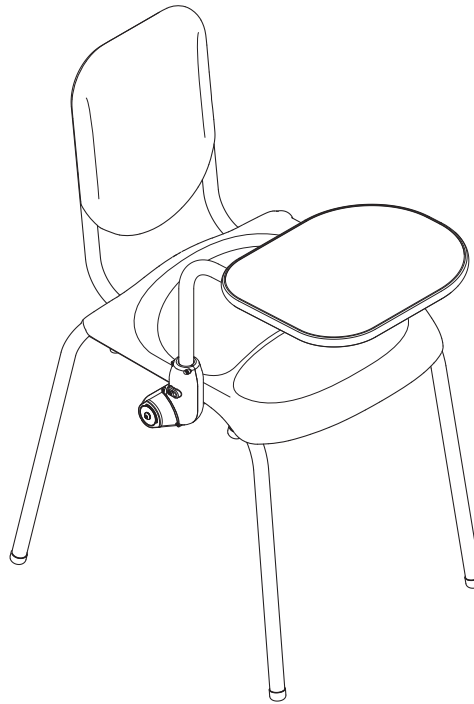




Your Performance Partner

Assembly Instructions Universal Folding Tablet Arm for Wenger Nota® Chairs



CONTENTS

Before You Begin	2
Warranty	2
Required Tools	2
Fastener Parts List	2
Replacement Parts List	3
Determine Left or Right Hand Set-up	4
Assembly	4
Operation	8
Routine Maintenance	12

Note: Please read and understand the these Instructions before attempting installation, assembly, or use.

Note: Remove all items from the shipping containers and sort the components by type, size, etc. Refer to the illustrations on the following pages. If you need additional information, contact the Wenger Corporation using the information listed below.

BEFORE YOU BEGIN

Read and understand the complete assembly procedure before you begin.

Remove all items from the shipping carton.

WARRANTY

The Wenger Universal Folding Tablet Arm is guaranteed free of defects in materials and workmanship for five full years.

Our guarantee assures you of either a full refund or repair or replacement of the defective materials or workmanship without charge, at the discretion of our Customer Service Department. Just call a Customer Service Representative at 1-800-887-7145 and state the reason you are dissatisfied. If a product return is necessary, your representative will issue a return authorization. This is your sole remedy for breach of this warranty.

Should you have a question or problem with any Wenger product, don't hesitate to call, even if the product is past warranty. It's important to us that all our customers be satisfied.

This is the sole warranty made by Wenger. Wenger disclaims all other warranties, including the warranties of merchantability and fitness for a particular purpose, as well as all liability for incidental, consequential, special, and indirect damage. Wenger liability for direct damages shall be limited to the amount you paid for the product involved. Wenger reserves the right to make product changes without obligation to incorporate such changes into products previously sold.

Some states do not allow the exclusion or limitation of damages or warranties, so the above may not apply to you. This warranty gives you specific legal rights. You may also have other rights which vary from state to state.

REQUIRED TOOLS

The following tools must be supplied to assemble and install the Universal Folding Tablet Arm.

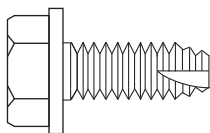
- Socket Wrench or Electric Drill with 1/2" socket
- 7/32" Allen Wrench
- 3/32" Allen Wrench (if left hand set-up is desired - see page 4)
- Plastic or Wood Mallet
- 1/8" Allen Wrench or Electric Drill with 1/8" Hex Drive Bit
- Petroleum jelly or a dry film spray lubricant
Rem DriLube™ teflon spray is recommended (available in sporting goods stores).

RECOMMENDED TOOLS

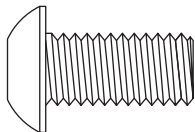
The following tool is recommended to assemble and install the Universal Folding Tablet Arm.

- Torque Wrench capable of a 25 ft-lb (300 in-lb) setting

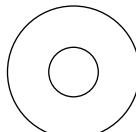
FASTENER PARTS LIST



Screw, Self Tapping,
5/16 x 3/4", Hex Head



Screw, Button Head
3/8-16 x 3/4"



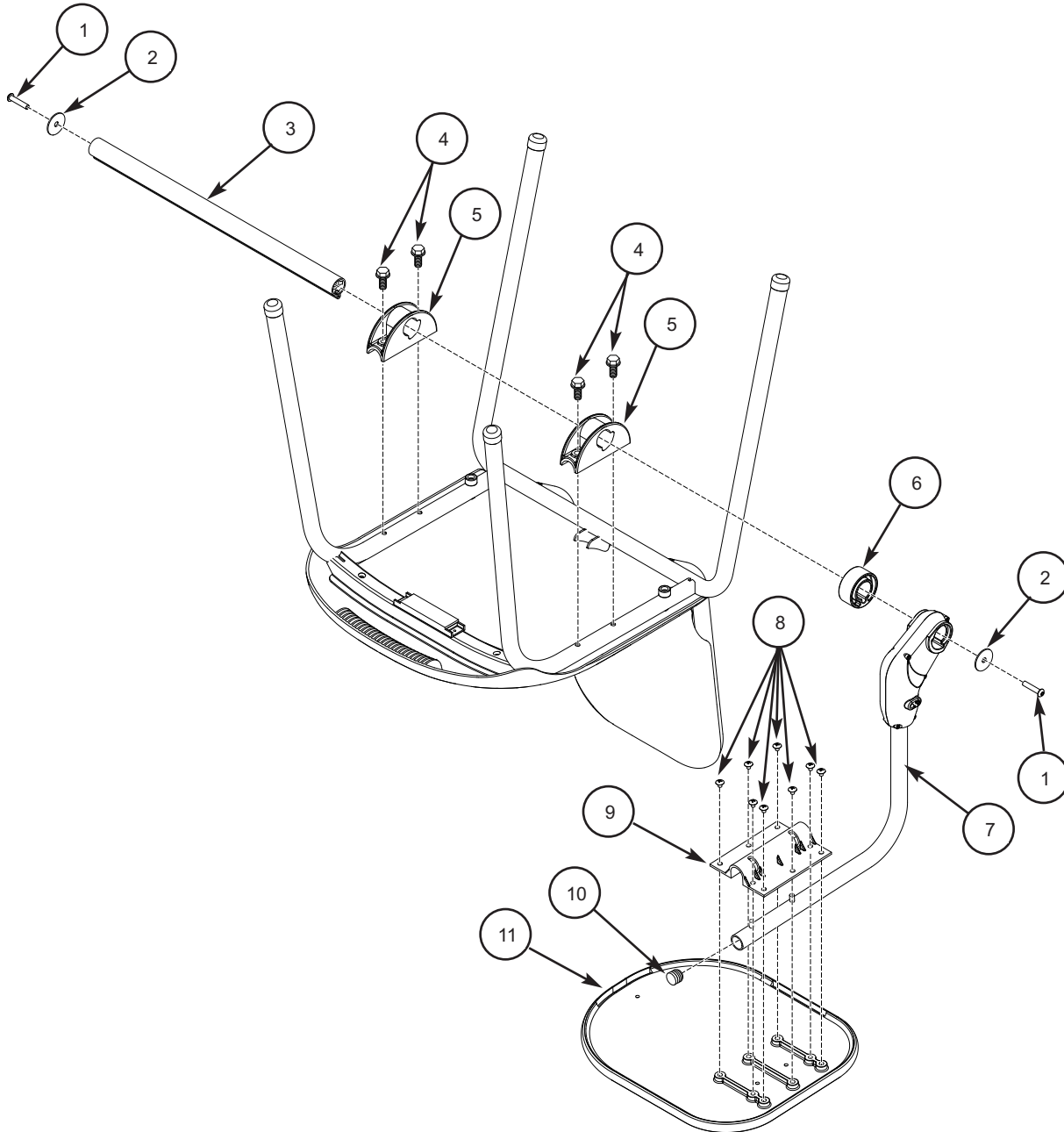
Washer, Flat,
1 1/4" OD



Screw, Machine,
#10-24 x 1/2", Button Head
Hex Drive

REPLACEMENT PARTS LIST

<u>Item</u>	<u>Qty</u>	<u>Description</u>	<u>Item</u>	<u>Qty</u>	<u>Description</u>
1	2	Screw, Button Head, $\frac{3}{8}$ -16- $\frac{3}{4}$ "	7	1	Arm Assembly, Tablet Arm
2	2	Washer, Fender, $1\frac{1}{4}$ OD	8	8	Screw, Button Head, #10-24 x $\frac{1}{2}$ "
3	1	Spindle, Assembly, Tablet Arm	9	1	Plate, Mounting, Desk
4	4	Screw, Self Tapping, $\frac{5}{16}$ x $\frac{3}{4}$ " Hex Head	10	1	Plug
5	2	Bracket, Spindle, Tablet Arm	11	1	Desk, Tablet Arm
6	1	Spacer, Spindle, Tablet Arm			

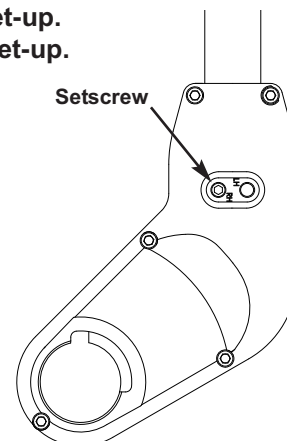


DETERMINE LEFT OR RIGHT HAND SET-UP

These instructions are valid for both right hand (RH) and left hand (LH) set-up. The Universal Folding Tablet Arm assembly is factory-set for right hand set-up.

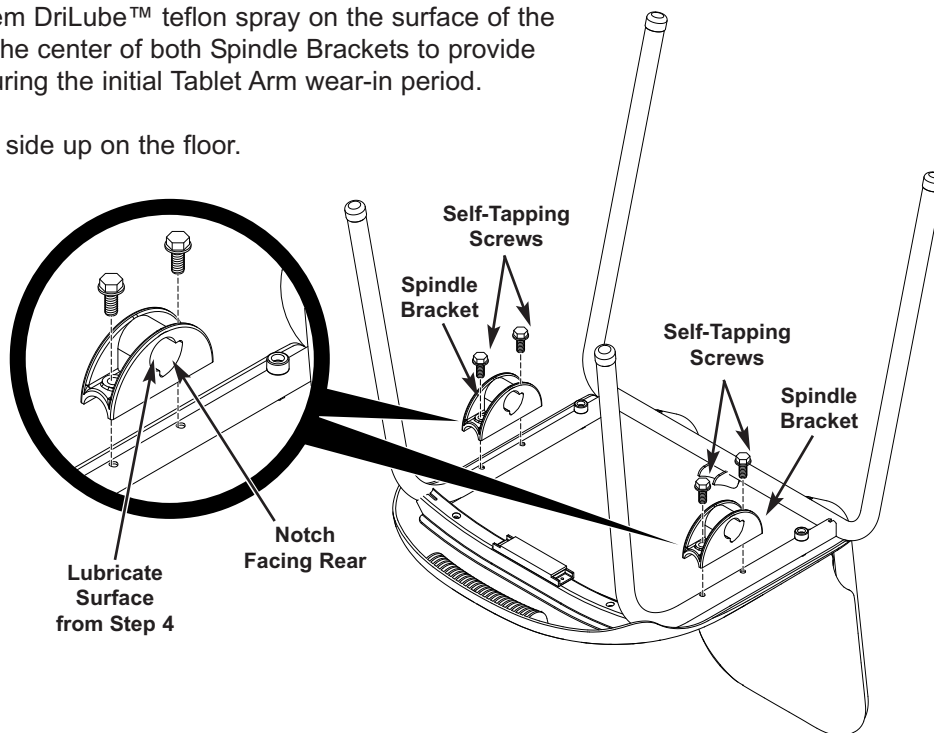
If left hand set-up is desired:

1. Remove the Setscrew from the hole marked RH on the side of the molded Lever using a $\frac{3}{32}$ " Allen Wrench.
2. Thread the Setscrew into the hole marked LH until it is flush with or slightly recessed, in the hole.
3. Assemble and mount the Tablet Arm as described in the following steps. But for left hand set-up, all of the images would be reversed and on the opposite side of the chair.



ASSEMBLY

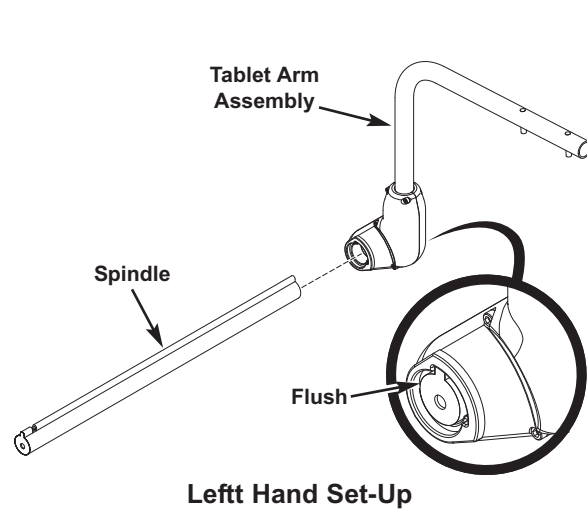
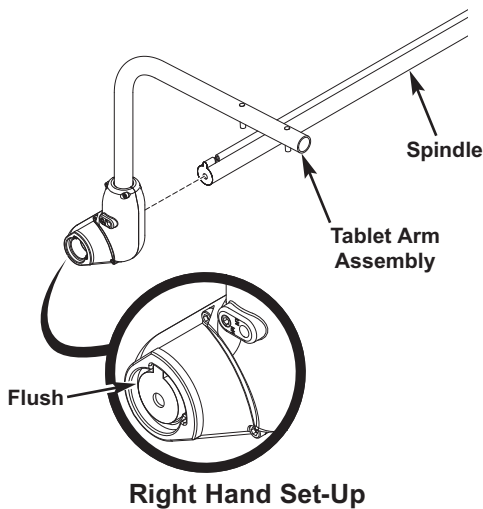
1. Place the chair upside down on a table or bench. Protect the chair by placing a pad or blanket on the work surface.
2. Pre-cut the Spindle Bracket mounting holes by threading, and then removing, the $\frac{5}{16} \times \frac{3}{4}$ " Self-Tapping Screws (4) into the pre-punched mounting holes on the bottom of the chair frame front legs.
3. Attach the Spindle Brackets (5) with the notches facing the rear of the chair. Use the four $\frac{5}{16} \times \frac{3}{4}$ " Self-Tapping Screws (4). Do not fully tighten the screws at this time. You should be able to move the Spindle Brackets back and forth slightly around the leg tubes.
4. Spread a thin layer of petroleum jelly, light oil, or dry-film synthetic lubricant such as Rem DriLube™ teflon spray on the surface of the 1" diameter hole at the center of both Spindle Brackets to provide smooth operation during the initial Tablet Arm wear-in period.
5. Place the chair right side up on the floor.



ASSEMBLY CONTINUED

5. Press the plastic lever of the Tablet Arm Assembly (7) onto the Spindle (3) until the end of the Spindle is flush with the recessed surface of the plastic lever.
A plastic or wood Mallet may be used to tap the Tablet Arm Assembly into place.

Reference the appropriate illustration depending on whether Left or Right Hand Set-up is required.

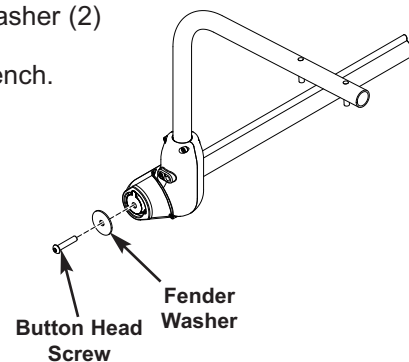


A light oil-based or synthetic lubricant such as Rem DryLube™ may be used to help press the plastic lever over the end of the spindle assembly, if necessary.

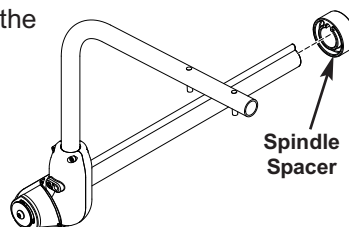
The remaining instructions are written for right hand set-up.

For left hand set-up, all of the images would be reversed and on the opposite side of the chair.

6. Insert a $\frac{3}{8}$ -16 x $\frac{3}{4}$ " Button Head Screw (1) through a Fender Washer (2) and thread it into the threaded hole inside of the Spindle. Tighten the Button Head Screw completely with a $\frac{7}{32}$ " Allen Wrench. Do not exceed a torque value of 25 ft-lbs (300 in-lbs).



7. Slide the Spindle Spacer (6) onto the Spindle and push the Spindle Spacer on as far as it goes.



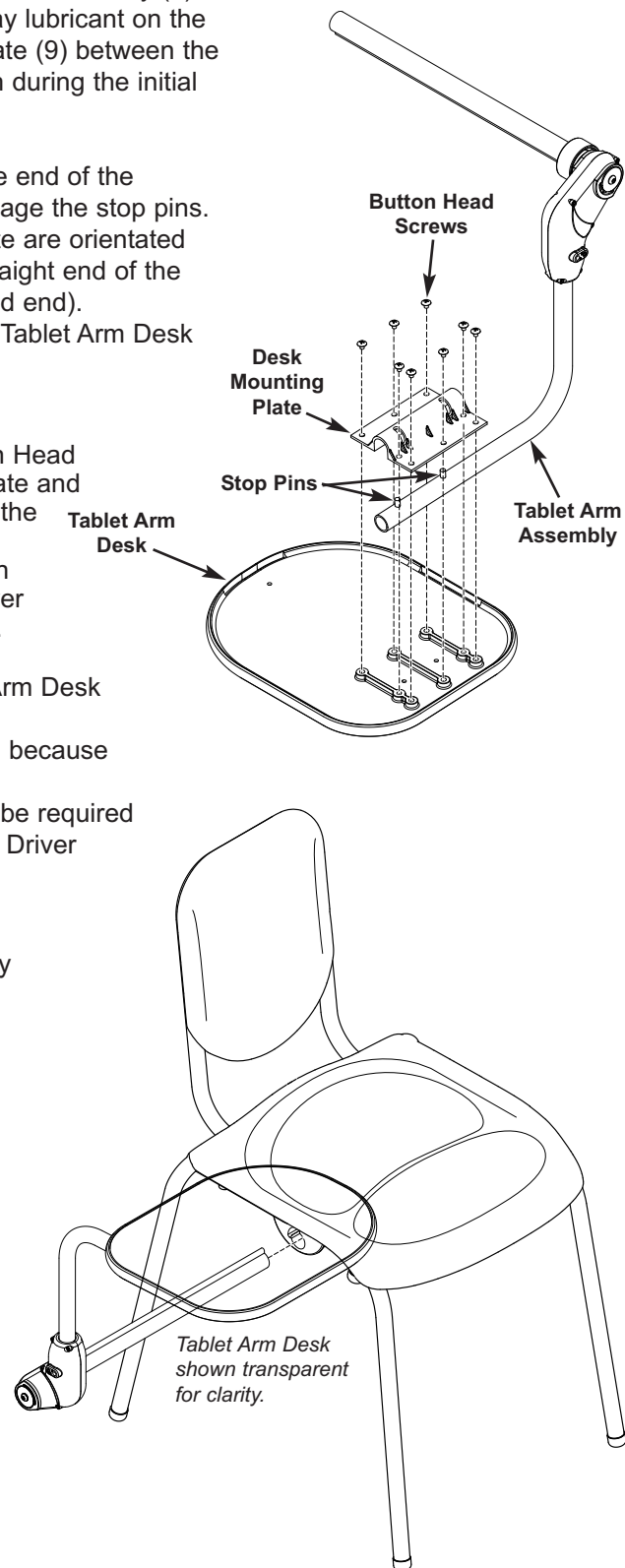
ASSEMBLY CONTINUED

8. Mount the Tablet Arm Desk (10) to the Tablet Arm Assembly (7) as follows:

- a. Apply a thin coat of petroleum jelly or spray lubricant on the concave surface of the Desk Mounting Plate (9) between the two slots. This will provide smooth rotation during the initial wear-in period of the Tablet Arm Desk.
- b. Slide the Desk Mounting Plate (9) over the end of the Tablet Arm Assembly so that the slots engage the stop pins. Be sure that the slots in the Mounting Plate are orientated to the outside of the chair (towards the straight end of the Tablet Arm Desk and away from the curved end). From the user's viewpoint, this allows the Tablet Arm Desk to rotate clockwise for right hand set-up and counterclockwise for left hand set-up.
- c. Thread the eight black #10-24 x 1/2" Button Head Screws (8) through the Desk Mounting Plate and into the threaded inserts on the bottom of the Tablet Arm Desk. Tighten the screws with a 1/8" Allen Wrench or with a powered 1/8" Hex Drive screwdriver on a low setting until they are fully seated.

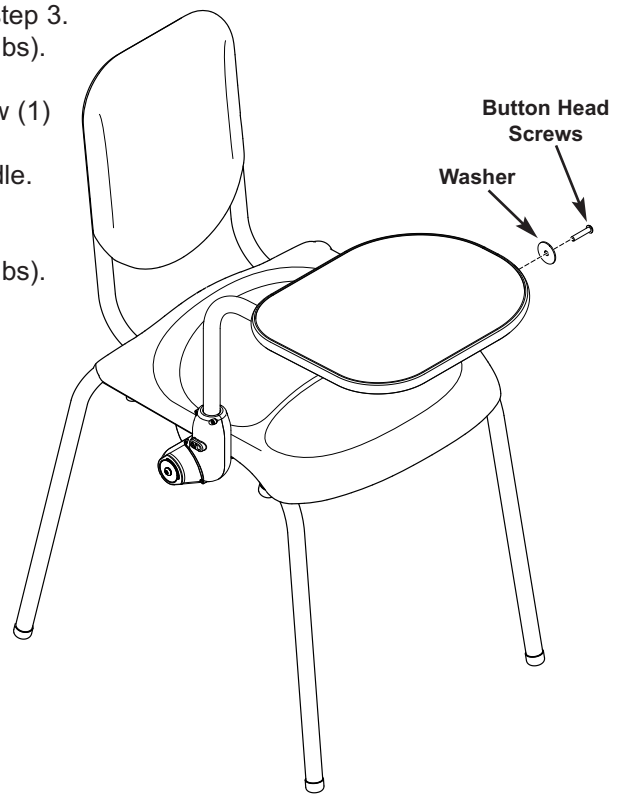
Note: The brass threaded inserts in the Tablet Arm Desk have self-locking threads. The screws may turn harder than normal because of the locking threads. Extra pressure on the tightening tool may be required to keep the Allen Wrench or powered Hex Driver in place.

9. Slide the Spindle with the Tablet Arm Assembly through both of the Spindle Brackets.

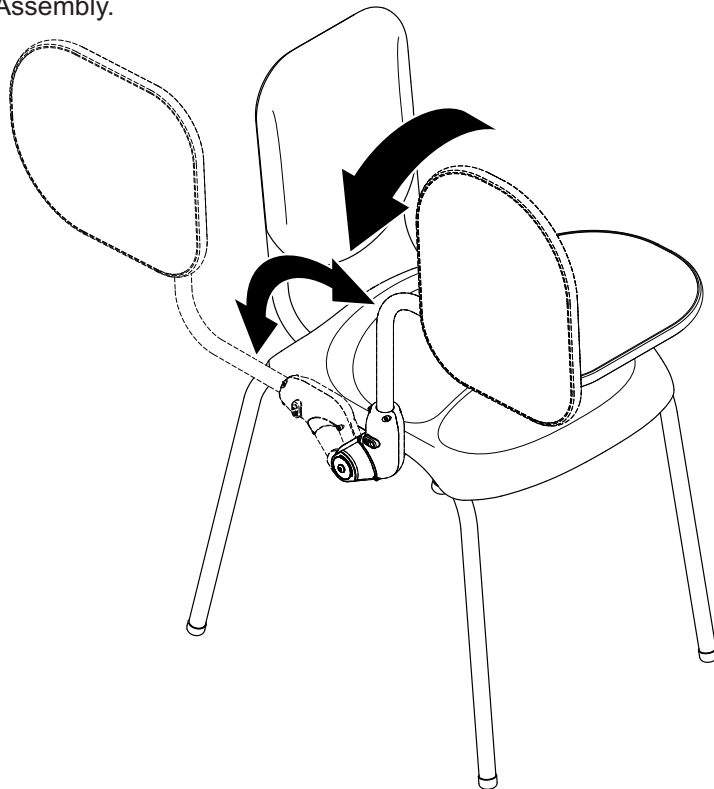


ASSEMBLY CONTINUED

10. Tighten the four Self-Tapping screws installed in step 3.
Do not exceed a torque value of 14 ft-lbs (170 in-lbs).
11. Slide the remaining $\frac{3}{8}$ -16 x $\frac{3}{4}$ " Button Head Screw (1) through the remaining Fender Washer (4) and thread it into the threaded hole inside of the Spindle. Tighten the Button Head Screw completely with a $\frac{7}{32}$ " Allen Wrench.
Do not exceed a torque value of 25 ft-lbs (300 in-lbs).



12. Check the operation of the Tablet Arm Assembly.
 - a. Rotate the Tablet Arm Desk until the work surface is perpendicular to the floor.
 - b. The Tablet Arm Assembly should be able to rotate 90 degrees upward and 90 degrees toward the back of the chair.

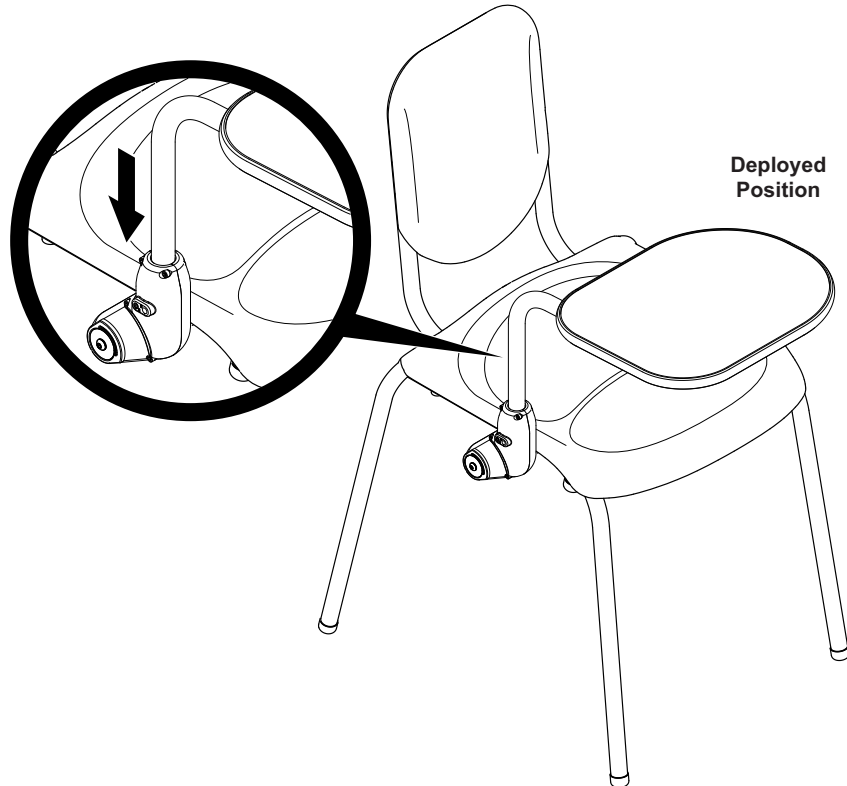


OPERATION

CAUTION

Never exceed 65 lbs (29 kg) of weight on the Tablet Arm Desk. Loads that exceed this limit could cause damage or injury.

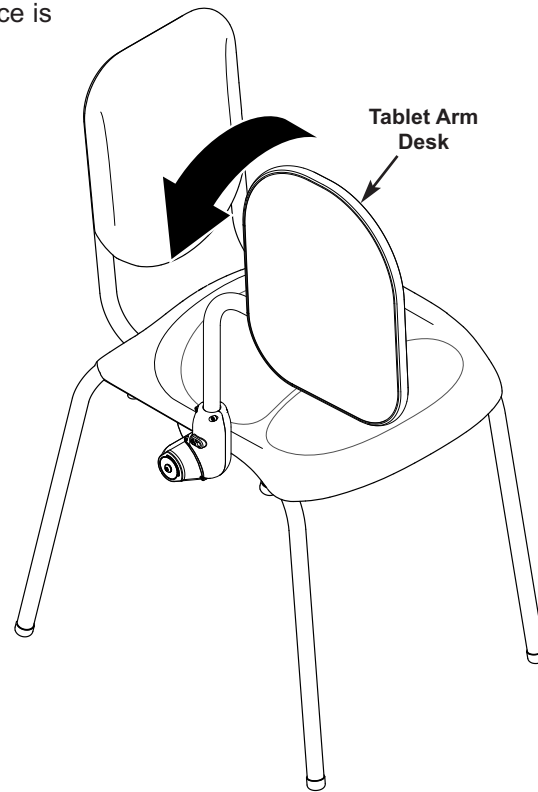
To move the Tablet Arm Assembly from the “Deployed” position to the “Intermediate Parked” position:



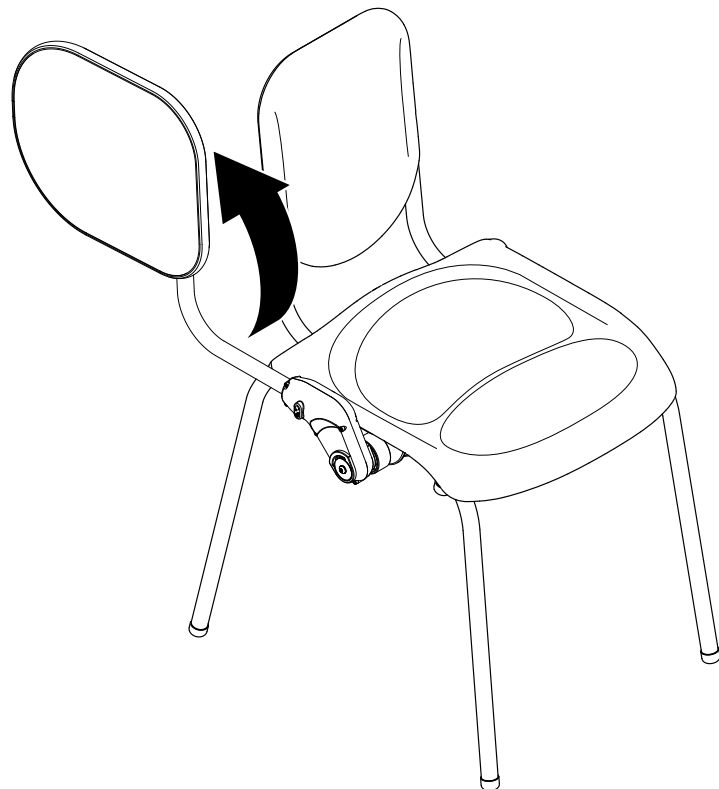
Note: To keep the Tablet Arm Desk from rotating when it is in the Deployed position as shown, the Support Tube must be pushed downward (into the molded lever).

OPERATION CONTINUED

1. Rotate the Tablet Arm Desk until the work surface is perpendicular to the floor.



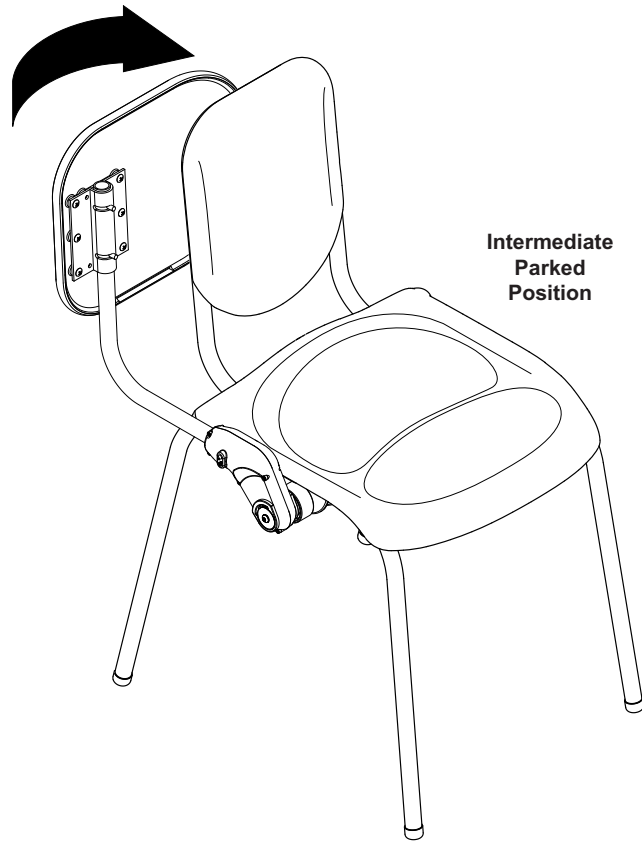
2. Rotate the entire Tablet Arm Assembly toward the back of the chair until it stops.



OPERATION CONTINUED

3. Rotate the Tablet Arm Desk until the bottom surface of the desk is parallel to the back of the chair.

This is the "Intermediate Parked" Position.

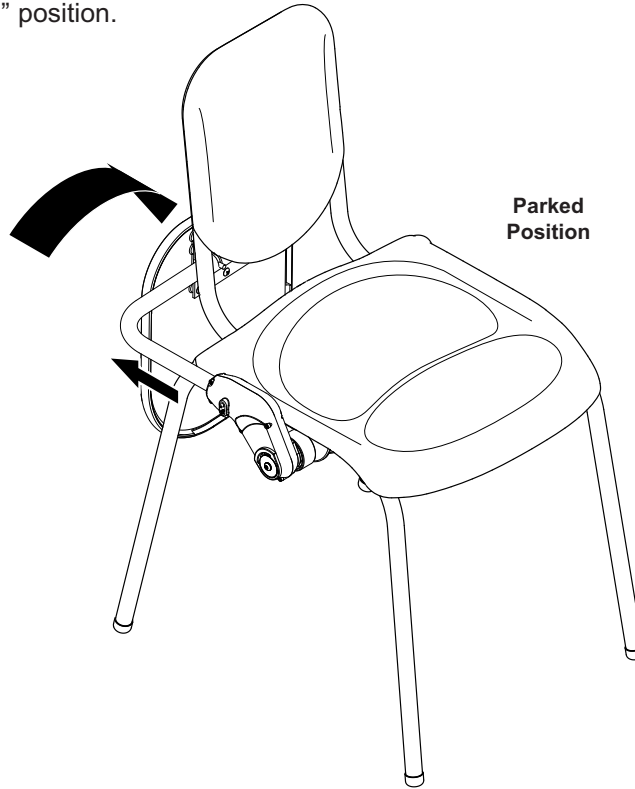


OPERATION CONTINUED

To move the Tablet Arm Assembly from the “Intermediate Parked” position to the “Parked” position:

1. Pull out the Support Tube and allow the Tablet Arm Assembly to rotate towards the ground.

This is the “Parked” position.



Alternatively:

The Support Tube may be pulled upward when in the “Deployed” position. This allows the Tablet Arm Assembly to be moved to the “Parked” position in one motion by skipping the “Intermediate” position.

To get the Tablet Arm Assembly back to the “Deployed” position, reverse the previous steps.

ROUTINE MAINTENANCE

1. Replace damaged parts promptly.
2. Lubrication of Tablet Arm components is not necessary under normal circumstances. In dusty or abnormal environments, moving parts may be lubricated using any light duty oil-based or synthetic lubricant. Rem DriLube™ teflon spray is recommended (available in sporting goods stores).

Note: Dry film lubricants are less likely to trap dust or other contaminants.

CAUTION

Strong chlorine (bleach) solutions or cleaners with high concentrations of isopropyl alcohol should not be used to clean or disinfect the polymer plastic components of the Tablet Arm Assembly.

High concentrations of these chemicals may cause discoloration and other damage.