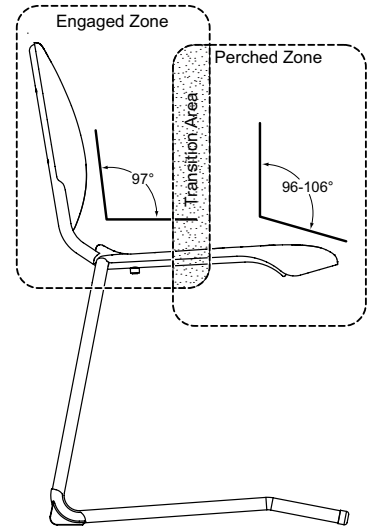
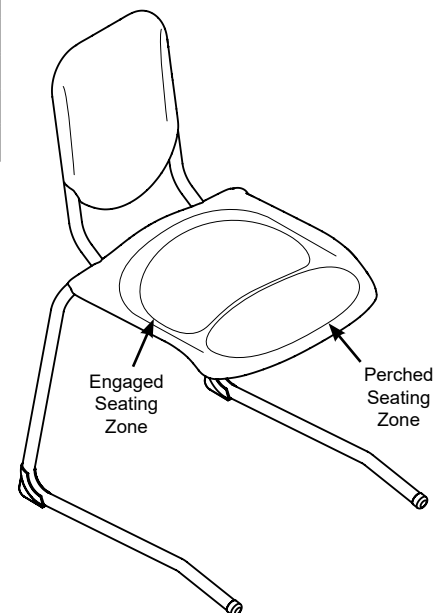
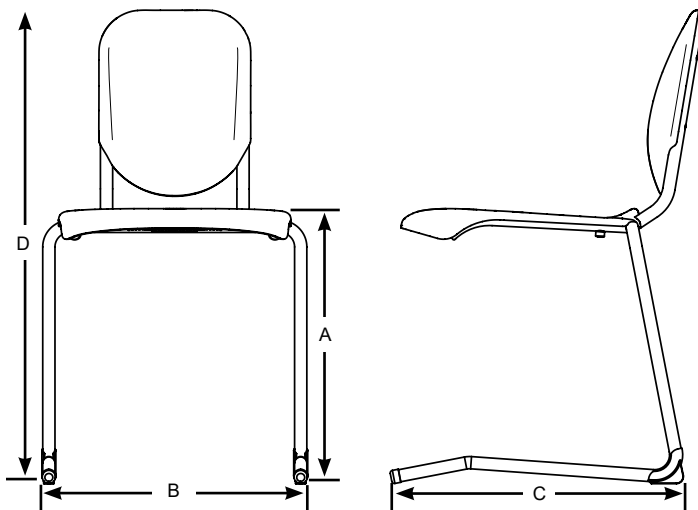


Nota® conBRIO® Premier Chair

- 0340000 Black finish frame, 15.4 lb (7 kg)
- 0340001 Chrome finish frame, 15.4 lb (7 kg)
- Black powder-coat paint finish frame for maximum durability. Chrome finish frame is also available
- Cantilever frame allows chair to respond to the musician's movement, enabling the entire body to be engaged in the musical performance
- Patented design provides two seating zones: "Engaged" (rear) and "Perched" (forward)
 - The engaged position allows the occupant to sit with a thigh to back angle of 97°
 - The perched position allows the occupant to sit with a thigh to back angle in the range of 96-106°
 - A transition area allows users to move seamlessly between zones
- Each zone enhances performance by promoting a naturally balanced skeletal shape, reducing muscle strain and enabling increased circulation, freedom of movement, and diaphragmatic breathing
- Narrow convex back provides lumbar support while still allowing for freedom and range of movement
- Seat and back are rugged polypropylene with 1/2" (13 mm) polyfoam seat cushioning and 1/4" (6 mm) polyfoam back cushioning
- Seat and back are covered with 100% polypropylene fabric and available in six colors: Black, Plum, Red, Green, Grey and Blue
- Fabric is treated with BLOCKaide™ Stain Repellant
- 12-gauge welded round high strength low alloy steel frame
- Black powder-coat paint finish for maximum durability
Chrome finish is also available
- Available in heights of 14-1/2" (368 mm), 16" (406 mm), 17-1/2" (445 mm), 19" (483 mm), 20-1/2" (521 mm)
- Rounded waterfall front allows one height of chair to accommodate a wider range of body sizes.
Multiple standard height frames available to accommodate all musicians
- Durable, specially designed floor glides provide stability when seated and ease of movement when arranging chairs
- ANSI/BIFMA x 5.1-2002
- California Technical Bulletin 117 compliant
- Chairs stack for compact storage, up to twelve chairs on a cart; six without a cart
- *Note:* When multiple heights of chairs are stacked on the same cart, always start with the tallest chairs
- UL GREENGUARD Certified - Product certified for low chemical emissions: ul.com/gg - UL 2818
- Environmental attributes and LEED compliance for this product can be found at www.wengercorp.com/GREEN or by contacting your Wenger representative
- Five-year warranty



| Chair Height | A | B | C | D |
|------------------|------------------|--------------|------------------|------------------|
| 14-1/2" (368 mm) | 14-1/2" (368 mm) | 19" (483 mm) | 21" (533 mm) | 29-3/8" (746 mm) |
| 16" (406 mm) | 16" (406 mm) | 19" (483 mm) | 21" (533 mm) | 30-7/8" (784 mm) |
| 17-1/2" (445 mm) | 17-1/2" (445 mm) | 19" (483 mm) | 21-3/4" (553 mm) | 32-3/8" (822 mm) |
| 19" (483 mm) | 19" (483 mm) | 19" (483 mm) | 21-3/4" (553 mm) | 33-7/8" (860 mm) |
| 20-1/2" (521 mm) | 20-1/2" (521 mm) | 19" (483 mm) | 22" (559 mm) | 35-3/8" (899 mm) |



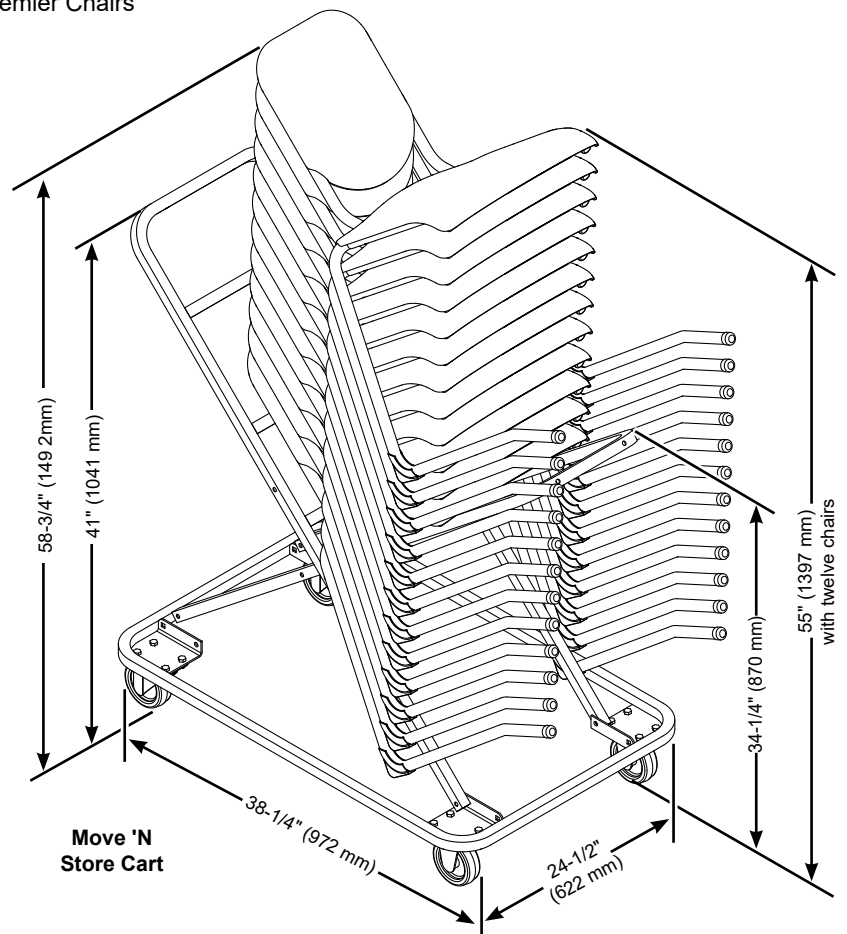
Accessories Include:

Move 'N Store Cart

- 127A261 30 lb (13.6 kg)
- Stack, move and store up to twelve Nota conBRIO Premier Chairs
- 16-gauge steel construction with easy roll casters

Dust Cover

- 054D500
- Vinyl coated polypropylene
- For use with chairs stacked on cart



Wenger®

JRCLANCY

GEARBOSS

PURCHASE
ONLINE!



© 2019 Wenger Corporation
USA/2019-09

MUSIC EDUCATION AND PERFORMING ARTS

Owatonna Office: Phone 800.4WENGER (493-6437) Worldwide +1.507.455.4100 | Parts & Service 800.887.7145 | wengercorp.com
555 Park Drive, PO Box 448 | Owatonna | MN 55060-0448

Syracuse Office: Phone 800.836.1885 Worldwide +1.315.451.3440 | jrclancy.com | 7041 Interstate Island Road | Syracuse | NY 13209-9713

ATHLETICS Phone 800.493.6437 | email gearboss@wengercorp.com | gearboss.com | 555 Park Drive, PO Box 448 | Owatonna | MN 55060-0448