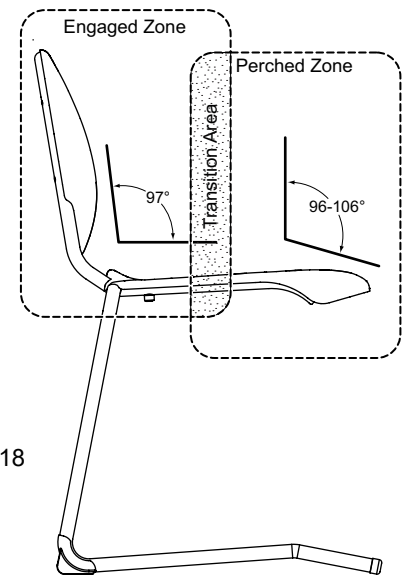
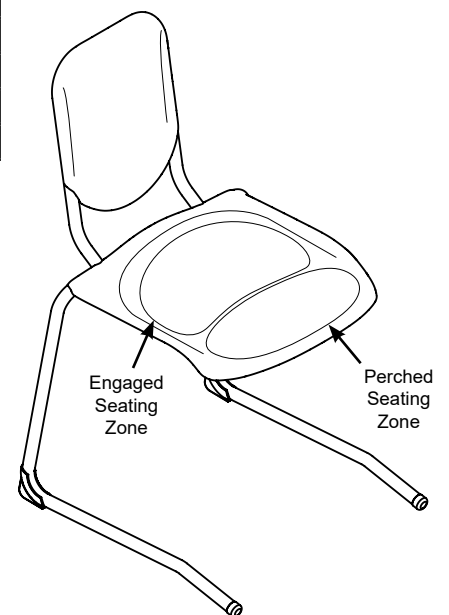
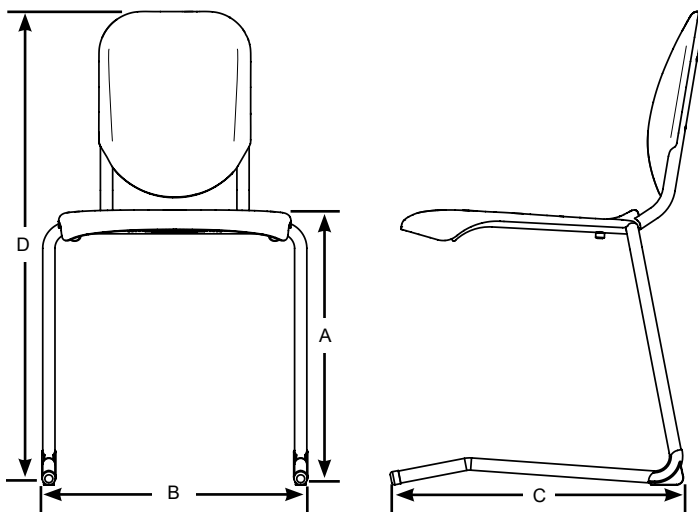


# Nota<sup>®</sup> conBRIO<sup>®</sup> Standard Chair

- 0350000 Black finish frame, 14.2 lb (6.4 kg)  
0350001 Chrome finish frame, 14.2 lb (6.4 kg)
- Black powder-coat paint finish frame for maximum durability. Chrome finish frame is also available
- Cantilever frame allows chair to respond to the musician's movement, enabling the entire body to be engaged in the musical performance
- Patented design provides two seating zones: "Engaged" (rear) and "Perched" (forward)
  - The engaged position allows the occupant to sit with a thigh to back angle of 97°
  - The perched position allows the occupant to sit with a thigh to back angle in the range of 96-106°
  - A transition area allows users to move seamlessly between zones
- Each zone enhances performance by promoting a naturally balanced skeletal shape, reducing muscle strain and enabling increased circulation, freedom of movement, and diaphragmatic breathing
- Narrow convex back provides lumbar support while still allowing for freedom and range of movement
- Wear resistant polypropylene seat and back promote even weight distribution, greater comfort and a lasting appearance
- Seat and back available in three colors: Black, Plum and Blue
- Back is 1/8" (3 mm) thick
- Seat is 9/64" (3.6 mm) thick
- 12-gauge welded round high strength low alloy steel frame
- Black powder-coat paint finish for maximum durability. Chrome finish is also available
- Available in heights of 14-1/2" (368 mm), 16" (406 mm), 17-1/2" (445 mm), 19" (483 mm) and 20-1/2" (521 mm)
- Rounded waterfall front allows one height of chair to accommodate a wider range of body sizes. Multiple standard height frames available to accommodate all musicians
- Durable, specially designed floor glides provide stability when seated and ease of movement when arranging chairs
- Chairs stack for compact storage, up to eighteen chairs on a cart; eight without a cart  
*Note:* When multiple heights of chairs are stacked on the same cart, always start with the tallest chairs
- Specially designed stacking bumpers provide maximum stability and protection when chairs are stacked
- ANSI/BIFMA x 5.1-2002
- California Technical Bulletin 133 compliant
- UL GREENGUARD Certified - Product certified for low chemical emissions: [ul.com/gg](http://ul.com/gg) - UL 2818
- Environmental attributes and LEED compliance for this product can be found at [www.wengercorp.com/GREEN](http://www.wengercorp.com/GREEN) or by contacting your Wenger representative
- Five-year warranty



Chair Height	A	B	C	D
14-1/2" (368 mm)	14-1/2" (368 mm)	19" (483 mm)	21" (533 mm)	29-3/8" (746 mm)
16" (406 mm)	16" (406 mm)	19" (483 mm)	21" (533 mm)	30-7/8" (784 mm)
17-1/2" (445 mm)	17-1/2" (445 mm)	19" (483 mm)	21-3/4" (552 mm)	32-3/8" (822 mm)
19" (483 mm)	19" (483 mm)	19" (483 mm)	21-3/4" (552 mm)	33-7/8" (860 mm)
20-1/2" (521 mm)	20-1/2" (521 mm)	19" (48 mm)	22" (559 mm)	35-3/8" (899 mm)



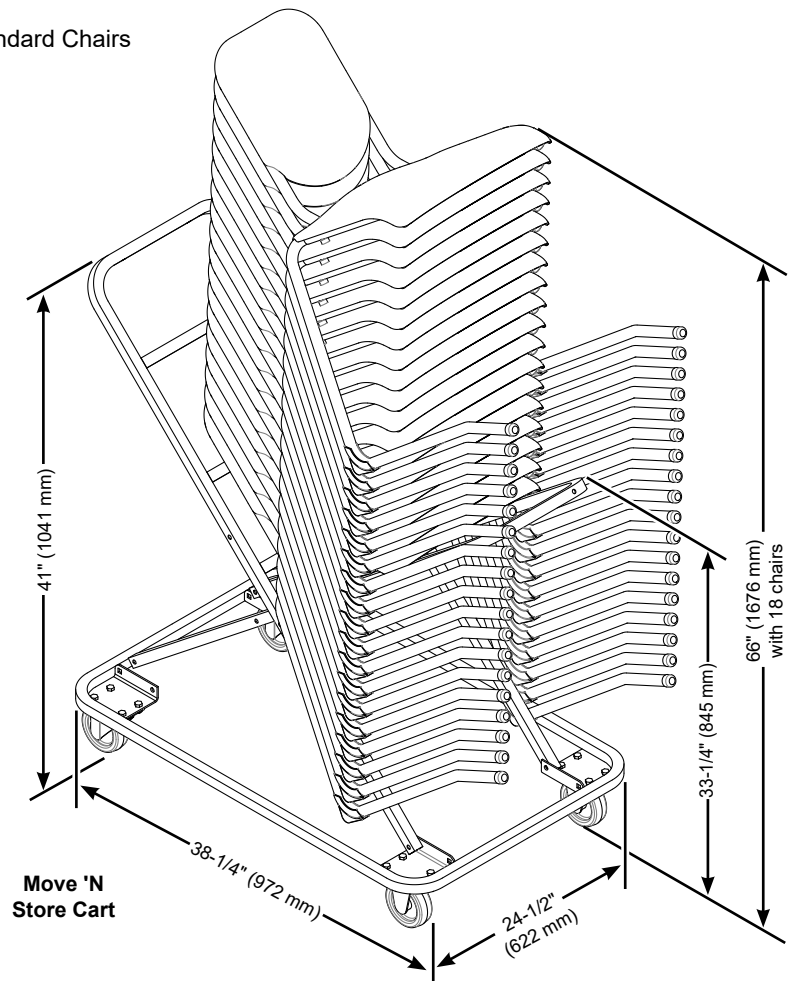
## Accessories Include:

### Move 'N Store Cart

- 127A261 30 lb (13.6 kg)
- Stack, move and store up to eighteen Nota conBRIO Standard Chairs
- 16-gauge steel construction with easy roll casters

### Dust Cover

- 054D500
- Vinyl coated polypropylene
- For use with chairs stacked on cart



Wenger®

JRCLANCY

GEARBOSS™

PURCHASE  
ONLINE!



© 2019 Wenger Corporation  
USA/2019-09

### MUSIC EDUCATION AND PERFORMING ARTS

Owatonna Office: Phone 800.4WENGER (493-6437) Worldwide +1.507.455.4100 | Parts & Service 800.887.7145 | wengercorp.com  
555 Park Drive, PO Box 448 | Owatonna | MN 55060-0448

Syracuse Office: Phone 800.836.1885 Worldwide +1.315.451.3440 | jrclancy.com | 7041 Interstate Island Road | Syracuse | NY 13209-9713

ATHLETICS Phone 800.493.6437 | email gearboss@wengercorp.com | gearboss.com | 555 Park Drive, PO Box 448 | Owatonna | MN 55060-0448