

CONTENTS

CONTENTS	1
SAFETY	2
MAINTENANCE	2
WARRANTY	3
USER INFORMATION	3
PARTS LIST	4
OPERATION	5
REPLACEMENT PARTS	8

Note: Please read and understand the OnBoard Auxiliary Podium Owner's Manual before using the Auxiliary Podium.

Note: Remove Auxiliary Podium assembly parts from the shipping container. Refer to the illustrations on the following pages. If you need additional information about your Auxiliary Podium, write or telephone Wenger Corporation at the number below.

SAFETY PRECAUTIONS

Throughout this manual you will find **CAUTIONS** and **WARNINGS** which are defined as follows:

- **WARNING**; failure to follow the instruction may result in serious injury or death.
- **CAUTION**; failure to follow the instruction may result in serious injury or damage to property.



Note: Failure to comply with precautions in this section can result in serious injury.

OPERATION

- When using the Auxiliary Podium in performance position, always park the Podium on a level surface.
- The Auxiliary Podium must be used with the boundary rail at all times when in performance position.
- Auxiliary Podium maximum total load capacity is 300 lbs.
- The Auxiliary Podium is only intended to hold one person when in performance position.
- All four legs must be in contact with the floor or ground at all times.
- Avoid ramps steeper than a one-foot rise or drop in a 12-foot horizontal distance.
- When transporting the Auxiliary Podium in a vehicle it must be braced with tie-downs, chains or cargo straps designed specifically for that purpose so podium will not move.
- Blankets or other padding material may be required to avoid damage to the podium and accessories from vibration and impact during transport.

MAINTENANCE

- Clean the Auxiliary Podium with a mild detergent and warm water. Avoid using harsh or abrasive cleaning products.
- Immediately replace any wheels that do not turn freely.
- Periodically check and tighten the fasteners.
- Grease zerks and bushings if required.

WARRANTY

The Auxiliary Podium is guaranteed free of defects in materials and workmanship for five full years.

Our guarantee assures you of either a full refund or repair or replacement of the defective materials or workmanship without charge, at the discretion of our Customer Service Department.

Just call a Customer Service Representative at 1-800-887-7145 and state the reason you are dissatisfied. If a product return is necessary, your representative will issue a return authorization. This is your sole remedy for breach of this warranty.

Should you have a question or problem with any Wenger product, don't hesitate to call, even if the product is past warranty. It's important to us that all our customers be satisfied.

This is the sole warranty made by Wenger. Wenger disclaims all other warranties, including the warranties of merchantability and fitness for a particular purpose, as well as all liability for incidental, consequential, special, and indirect damage. Wenger liability for direct damages shall be limited to the amount you paid for the product involved. Wenger reserves the right to make product changes without obligation to incorporate such changes into products previously sold.

Some states do not allow the exclusion or limitation of damages or warranties, so the above may not apply to you. This warranty gives you specific legal rights. You may also have other rights which vary from state to state.

IMPORTANT USER INFORMATION

GENERAL

Copyright® 2009 by Wenger Corporation

All rights reserved. No part of the contents of this manual may be reproduced, copied, or transmitted in any form or by any means including graphic, electronic, or mechanical methods or photocopying, recording, or information storage and retrieval systems without the written permission of the publisher, unless it is for the purchaser's personal use.

Printed and bound in the United States of America.

The information in this manual is subject to change without notice and does not represent a commitment on the part of Wenger Corporation. Wenger Corporation does not assume any responsibility for any errors that may appear in this manual.

In no event will Wenger Corporation be liable for technical or editorial omissions made herein, nor for direct, indirect, special, incidental, or consequential damages resulting from the use or defect of this manual.

The information in this document is not intended to cover all possible conditions and situations that might occur. The end user must exercise caution and common sense when assembling or installing Wenger Corporation products. If any questions or problems arise, call Wenger Corporation at 1-800-733-0393.

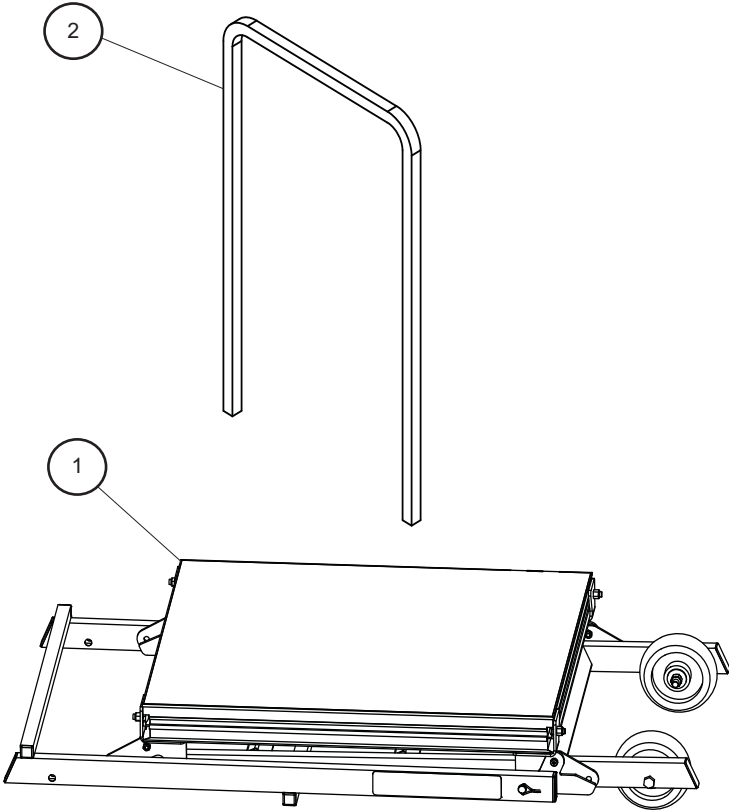
MANUFACTURER

The OnBoard® Auxiliary Podium is manufactured by:
Wenger Corporation
555 Park Drive
Owatonna, MN 55060
1-507-455-4100 • 1-800-733-0393
www.wengercorp.com

INTENDED USE

- This product is intended for limited outdoor use — it must not be exposed to prolonged outside weather conditions.

PARTS LIST



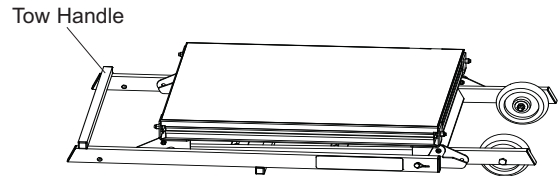
Item #	Qty	Description
1	1	AUXILIARY PODIUM
2	1	BOUNDARY RAIL

OPERATION

MOVING THE AUXILIARY PODIUM

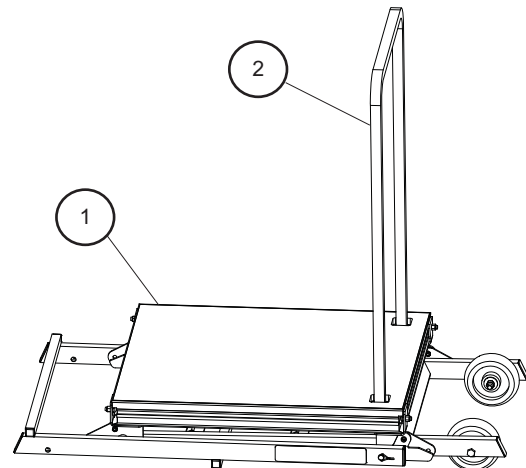


1. If the Auxiliary Podium is transported in a vehicle, it must be braced or strapped to the vehicle so that it cannot move. Bracing must use tie-downs or straps specifically designed to prevent the Auxiliary Podium from moving in the vehicle.
2. If the Podium needs to be stored tipped on it's long edge, make sure the storage pins are in place to prevent the Podium from unfolding.



SET UP THE AUXILIARY PODIUM IN PERFORMANCE POSITION

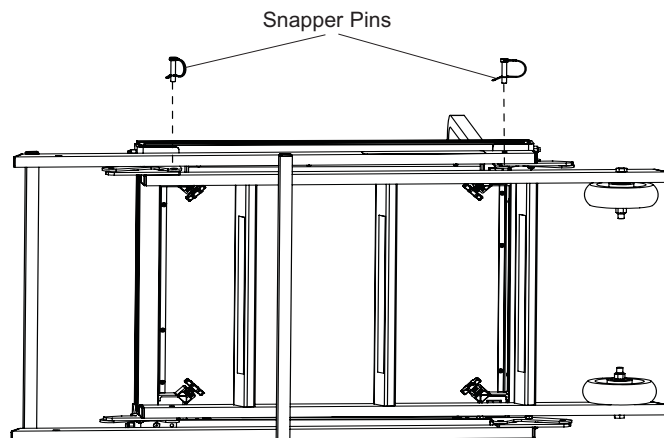
1. With the Auxiliary Podium (#1) in the stored position, insert the Boundary Rail (#2) in the cut-out slots on the deck.



2. Place the Auxiliary Podium on it's side.

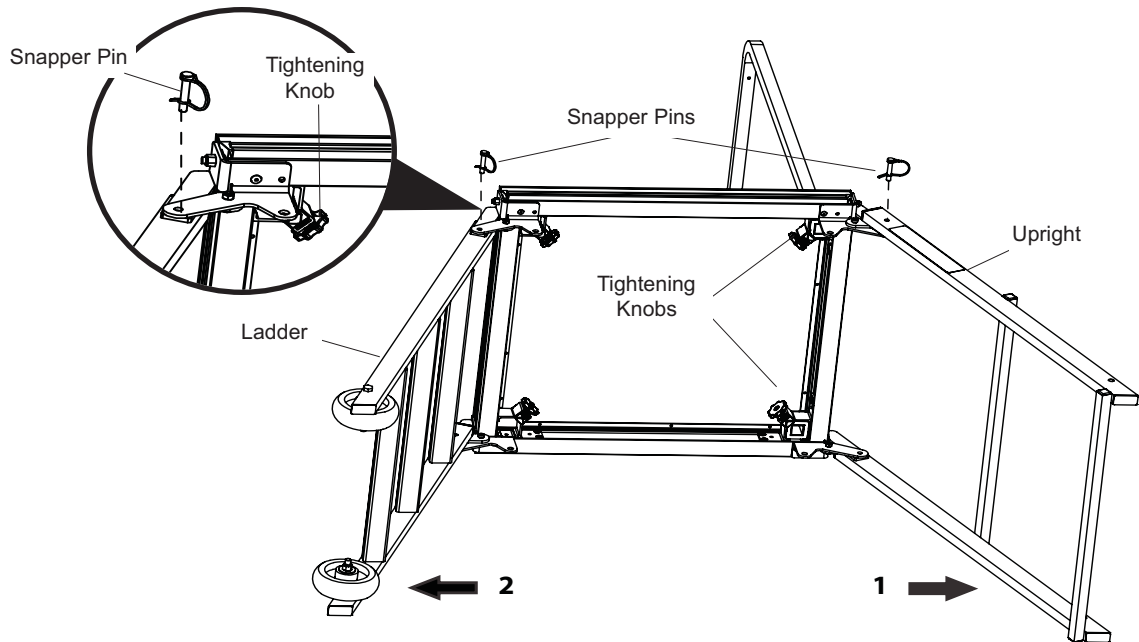
Note: The side with the snapper pins in the corner brackets must be facing up.

3. Remove snapper pins from the corner brackets.

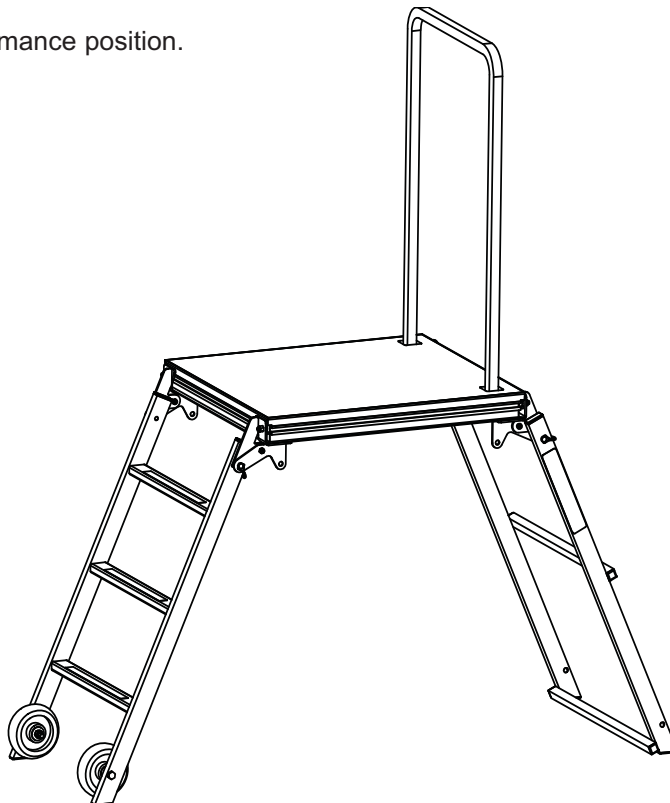


OPERATION (CONTINUED)

4. Unfold the Podium upright and ladder frames out aligning the holes in the corner brackets.
5. Secure the Podium upright and ladder frames in place using the snapper pins.
6. Tighten the knobs on the underside corners of the deck to secure the Boundary Rail.



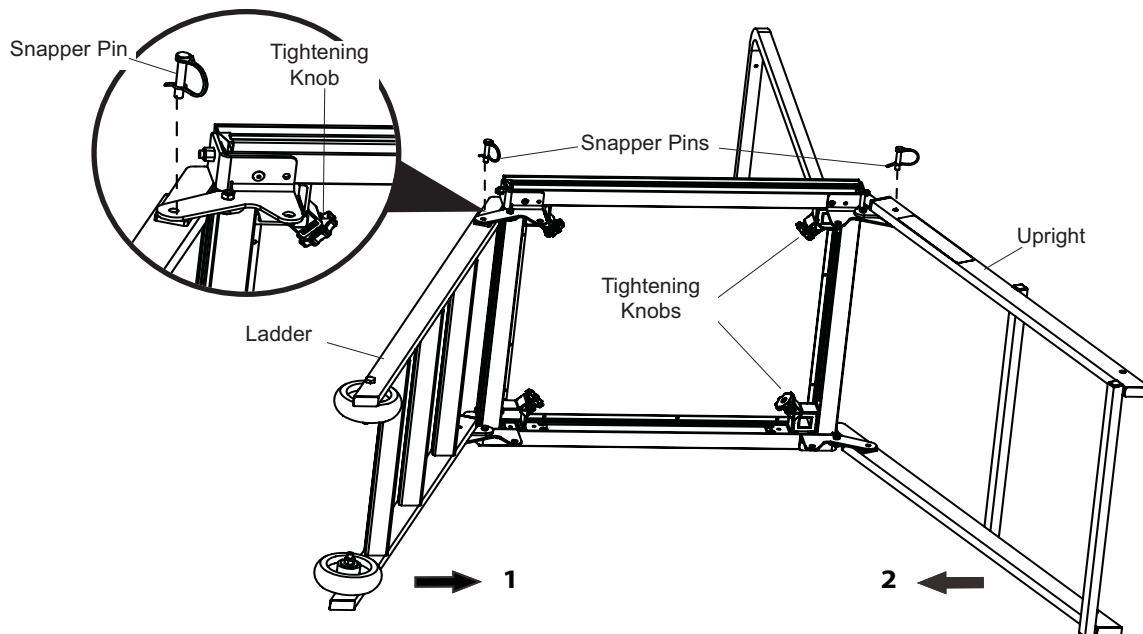
7. Lift the Podium up into the performance position.



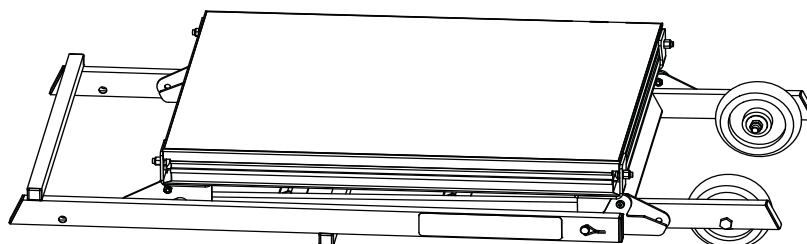
OPERATION (CONTINUED)

RETURN THE AUXILIARY PODIUM TO STORED POSITION

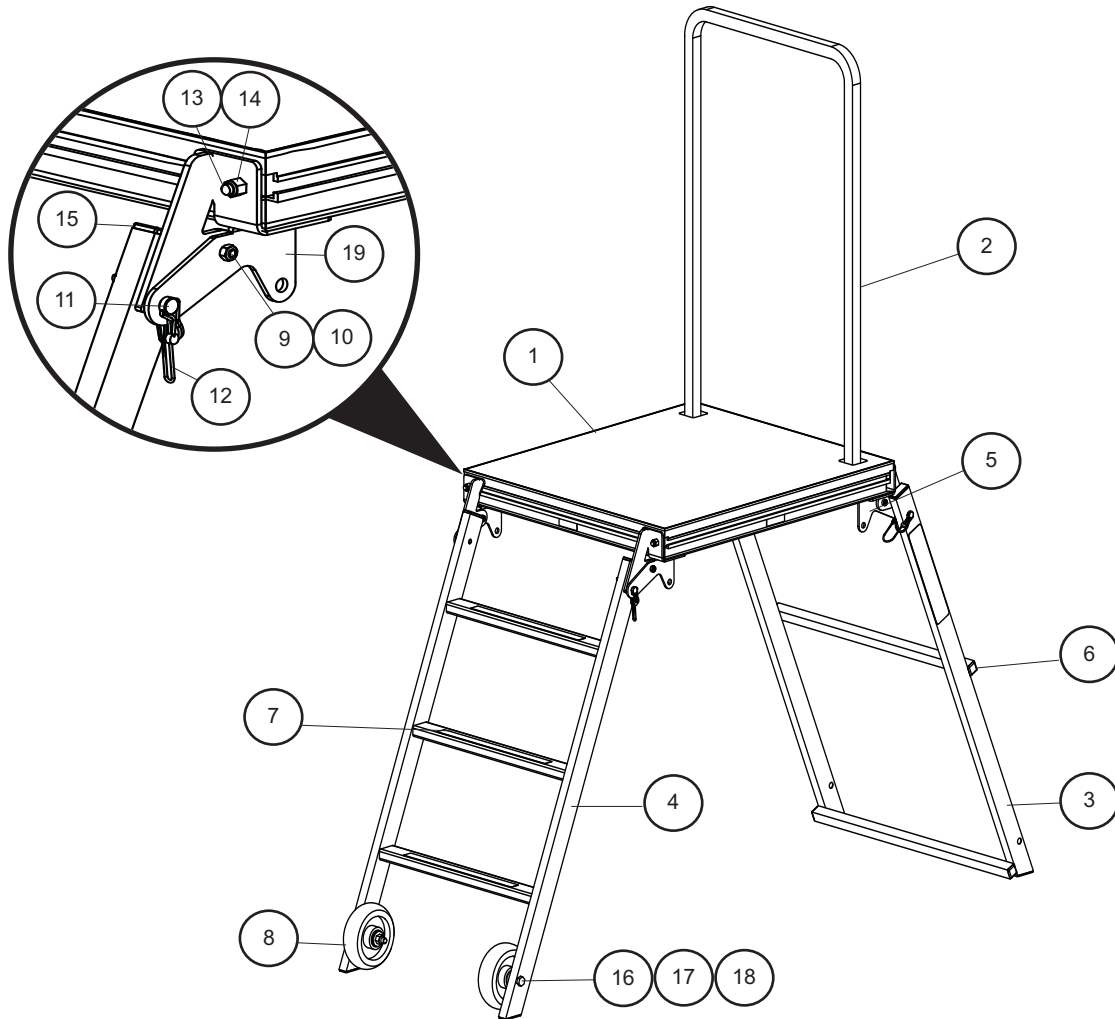
1. Place the Auxiliary Podium on it's side.
Note: The side with the snapper pins in the corner brackets must be facing up.
2. Remove snapper pins from the corner brackets.
3. Fold the ladder frame inward against the deck bottom.
4. Align the hole on the ladder frame with the hole in the corner bracket. Insert the snapper pin to secure the ladder frame to the Podium deck.
5. Repeat steps 4 and 5 on the upright frame.
6. Loosen the tightening knobs securing the Boundary Rail and remove rail.



7. Place Podium onto it's wheels.



REPLACEMENT PART LIST



Item # Description

- 1 DECK ASSEMBLY
- 2 BOUNDARY RAIL
- 3 UPRIGHT FRAME
- 4 LADDER FRAME
- 5 CORNER BRACKET, RH
- 6 TUBE PLUG, 1" SQUARE
- 7 ANTI-SLIP TAPE
- 8 6" WHEEL
- 9 LOCK NUT, 5/16 - 18
- 10 SHOULDER BOLT, 5/16 - 18 X 3/8

Item # Description

- 11 SNAPPER PIN
- 12 NYLON LANYARD
- 13 CARRIAGE BOLT, 3/8 - 16 X 1
- 14 LOCK NUT, 3/8 - 16
- 15 TUBE PLUG, 1 X 2
- 16 CAPSCREW, 1/2-13 X 4 1/2
- 17 LOCK NUT, 1/2 - 13
- 18 FLAT WASHER
- 19 CORNER BRACKET, LH