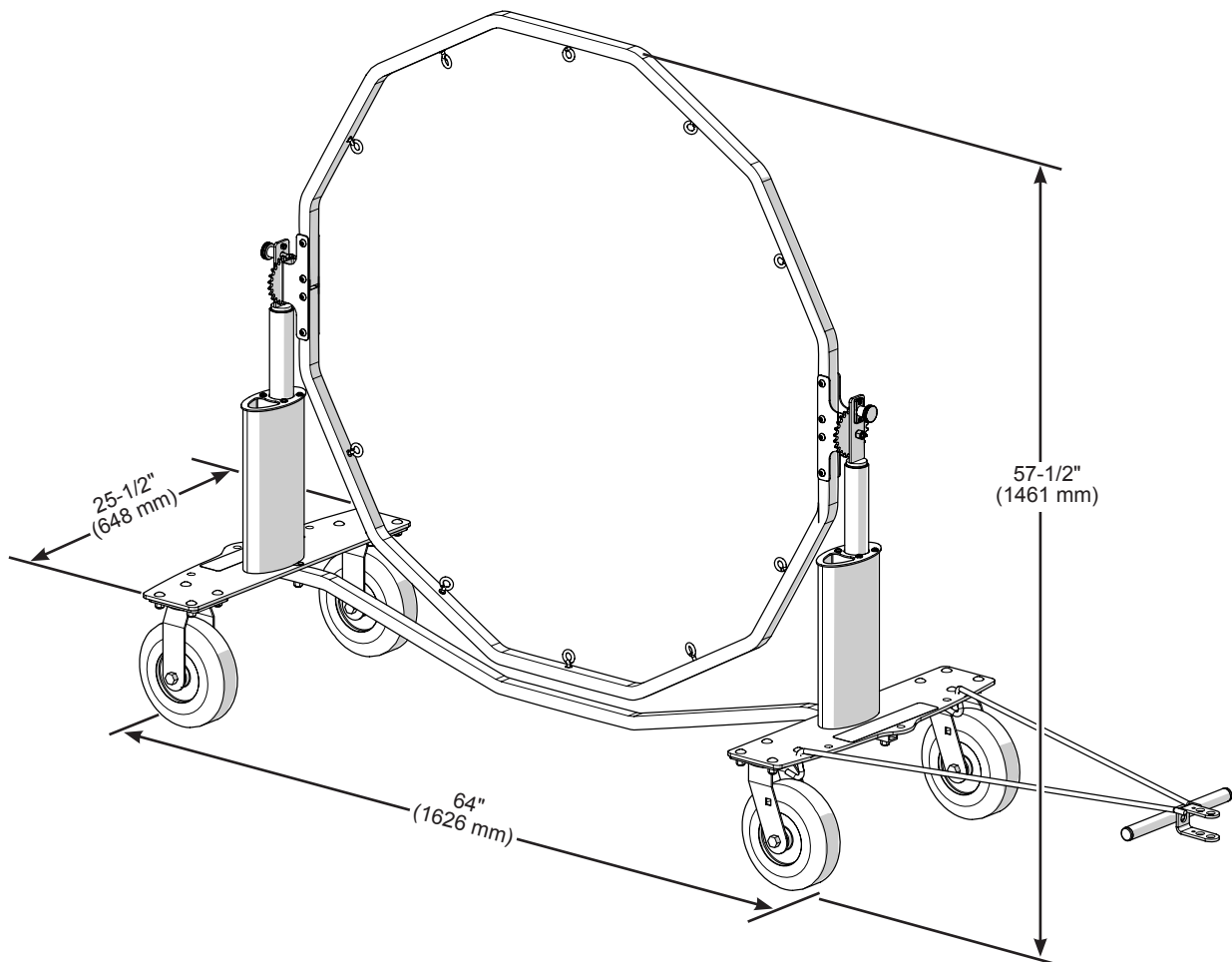


OnBoard® Bass Drum/Gong Cart

- 210B013 OnBoard Bass Drum/Gong Cart, 81 lbs. (37 kg).
- Ideal for rolling bass drum or gong onto field for competitions or indoor concerts and rehearsal.
- Designed to fit into trailers, semi-trailers, and trucks.
- Dual-purpose use for both bass drum and gong.
- Elastic suspension system designed to easily hold the weight of a large bass drum or gong up to 40" (1016 mm) in diameter.
- Loop tube constructed of 16-gauge, 1" (25 mm) square tubing with steel eyebolts included.
- Drum rotates into performance position in 15-degree increments and locks.
- Fits through 28" (711 mm) door opening.
- Only 25-1/2" wide (648 mm) base for easy playing ability.
- Rolls on two rigid and two swivel 8" (203 mm) pneumatic wheels.
- Tow bar included for pulling by hand or by small garden tractor.
- Mallet storage included on both sides of cart.
- Durable black powder-coat paint finish.
- Dimensions: 25-1/2" wide x 64" long x 57-1/2" high (648 x 1626 x 1461 mm)
- UL GREENGUARD Certified - Product certified for low chemical emissions: ul.com/gg - UL 2818.
- Environmental attributes and LEED compliance for this product can be found at www.wengercorp.com/GREEN or by contacting your Wenger representative.
- Five-year warranty.
- Shipped unassembled.



Wenger®

JRCLANCY

GEARBOSS®

© 2017 Wenger Corporation
USA/2017-12/W



WENGER CORPORATION

Phone 800.4WENGER (493-6437) Worldwide +1.507.455.4100 | Fax 507.455.4258 Worldwide +1.507.774.8576
Parts & Service 800.887.7145 | Canada Office 800.268.0148 | Web wengercorp.com | 555 Park Drive, PO Box 448 | Owatonna | MN 55060-0448

JR CLANCY

Phone 800.836.1885 Worldwide +1.315.451.3440 | Fax 877.836.1885 Worldwide +1.315.451.1766 | Web jrclancy.com
7041 Interstate Island Road | Syracuse | NY 13209-9713

GEARBOSS

Phone 800.493.6437 | email gearboss@wengercorp.com | Web gearboss.com | 555 Park Drive, PO Box 448 | Owatonna | MN 55060-0448