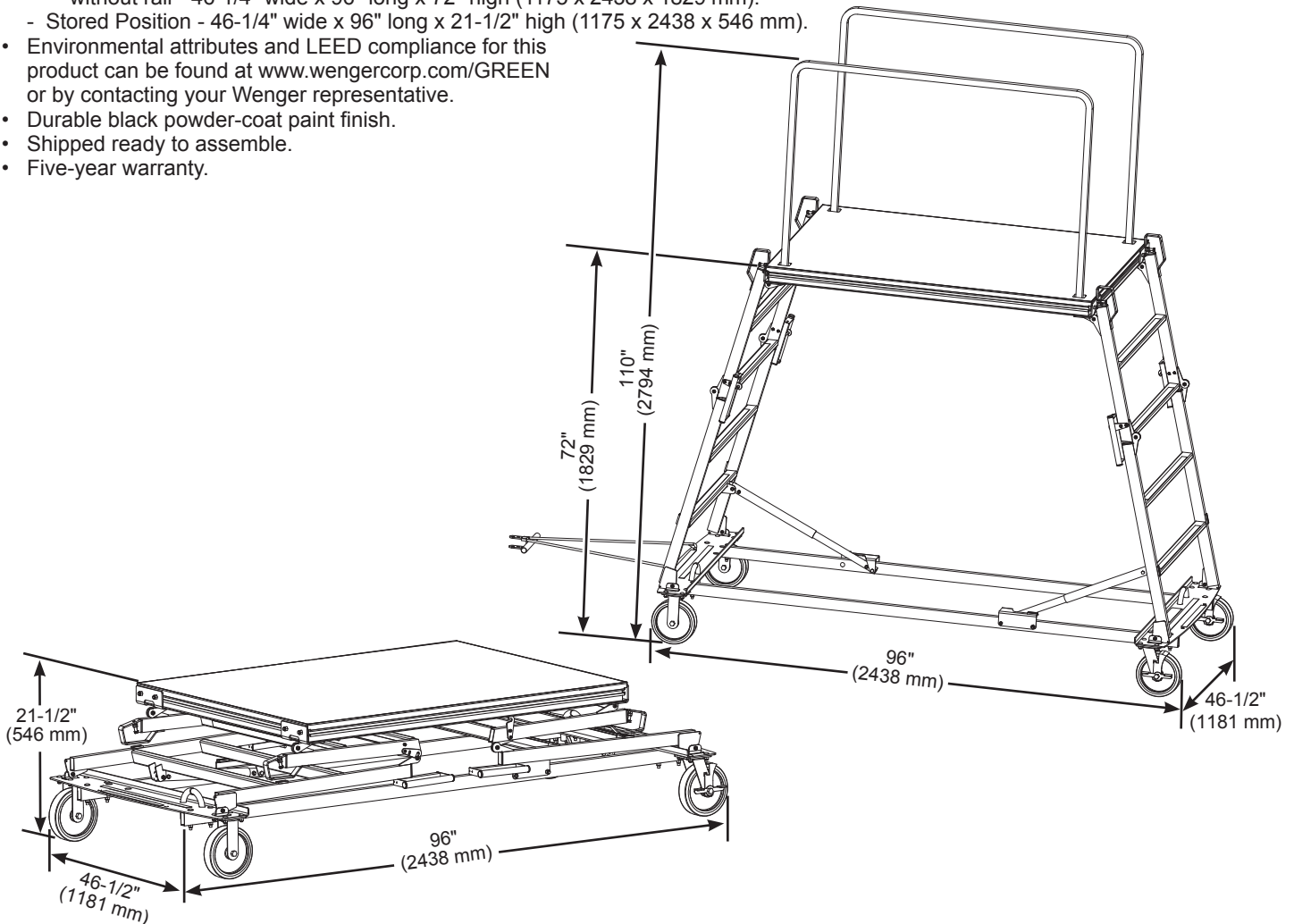


# OnBoard® Field Podium

- 210C018 OnBoard 72" (1829 mm) Field Podium, 263 lbs. (119 kg).
- 46" x 60" (1168 mm x 1524 mm) deck size designed to accommodate up to two Drum Majors, 600 lbs. (272 kg) maximum.
- Easy fold design allows two people to set up unit in less than one minute.
- Full 40" (1016 mm) wide ladders on both sides for fast and easy access with 2" (51 mm) wide rungs for stepping ease.
- Sturdy 3/4" (19 mm) deck with lightweight 3" (76 mm) aluminum frame.
- Quadriple anti-slip deck surface.
- All steel frame for maximum durability.
- Includes two gas assist springs for easy lift.
- Folds flat onto 8" (203 mm) wheels for compact storage and rolls easily into trailers and trucks.
- Podium locks into set up position on four wheels.
- Four non-marring, durable rubber wheels for ease of handling on multiple surfaces.
- Two 1-1/8" (29 mm) tubular, 16-gauge removable boundary rails can be positioned front or back with simple see through design.
- Tow bar included for pulling by hand or by small garden tractor.
- Can be used as a cart for transporting items while in the collapsed position with a load capacity of 300 lbs (136 kg).
- Dimensions:
  - Performance Position
    - with rail - 46-1/4" wide x 96" long x 110" high (1175 x 2438 x 2794 mm).
    - without rail - 46-1/4" wide x 96" long x 72" high (1175 x 2438 x 1829 mm).
  - Stored Position - 46-1/4" wide x 96" long x 21-1/2" high (1175 x 2438 x 546 mm).
- Environmental attributes and LEED compliance for this product can be found at [www.wengercorp.com/GREEN](http://www.wengercorp.com/GREEN) or by contacting your Wenger representative.
- Durable black powder-coat paint finish.
- Shipped ready to assemble.
- Five-year warranty.



© 2017 Wenger Corporation  
USA/2017-12/W

