



CONTENTS

CONTENTS	1
SAFETY	2
WARRANTY	3
USER INFORMATION	3
OPERATION	4
STORAGE	4
MAINTENANCE	4
REPLACEMENT PARTS	4

Note: Please read and understand the OnBoard Uniform Cart Owner's Manual before use.

Note: Remove Uniform Cart from the shipping carton. Refer to the illustrations on the following pages. If you need additional information about your Uniform Cart, write or telephone Wenger Corporation at the number below.

SAFETY PRECAUTIONS

Throughout this manual you will find **CAUTIONS** and **WARNINGS**. They are defined as follows:

- **WARNING**; failure to follow the instruction may result in serious injury or death.
- **CAUTION**; failure to follow the instruction may result in serious injury or damage to property.



Note: Failure to comply with precautions in this section can result in serious injury.

OPERATION

- Uniform Cart maximum load capacity is 60 lbs evenly distributed on each hanger bar.
- All four casters must be in contact with the floor or ground at all times, until the cart is loaded into a bus, on it's back.
- Avoid ramps with a rise or drop steeper than a one-foot in a 12-foot horizontal distance.
- Always move slowly up or down a ramp with the narrow end of the cart in the direction of travel.
- Avoid off-center loads which may cause the cart to tip over.
- Because swivel casters move in any direction, the operator must move the cart slowly and have a clear view to avoid obstructions and individuals standing in the direction of travel.
- If the Uniform Cart is heavily loaded, two people are always required to move the cart (one pushing at the rear and one guiding at the front).
- When moving the cart do not ride on the cart and do not allow others to ride on the cart.
- The Uniform Cart is designed to fit under most coach buses. When transporting this cart it must be laying down on it's back surface so that the uniforms are laying flat.
- The Uniform Cart is not intended to be used on grass surfaces or to be towed.

WARRANTY

The Uniform Cart is guaranteed free of defects in materials and workmanship for five full years.

Our guarantee assures you of either a full refund, repair or replacement of the defective materials or workmanship without charge, at the discretion of our Customer Service Department.

Just call a Customer Service Representative at 1-800-887-7145 and state the reason you are dissatisfied. If a product return is necessary, your representative will issue a return authorization. This is your sole remedy for breach of this warranty.

Should you have a question or problem with any Wenger product, don't hesitate to call, even if the product is past warranty. It's important to us that all our customers are satisfied.

This is the sole warranty made by Wenger. Wenger disclaims all other warranties, including the warranties of merchantability and fitness for a particular purpose, as well as all liability for incidental, consequential, special, and indirect damage. Wenger's liability for direct damages shall be limited to the amount you paid for the product involved. Wenger reserves the right to make product changes without obligation and incorporate such changes into products previously sold.

Some states do not allow the exclusion or limitation of damages or warranties, so the above may not apply to you. This warranty gives you specific legal rights. You may also have other rights which vary from state to state.

IMPORTANT USER INFORMATION

GENERAL

Copyright® 2007 by Wenger Corporation

All rights reserved. No part of the contents of this manual may be reproduced, copied, or transmitted in any form or by any means including graphic, electronic, or mechanical methods or photocopying, recording, or information storage and retrieval systems without the written permission of the publisher, unless it is for the purchaser's personal use.

Printed and bound in the United States of America.

The information in this manual is subject to change without notice and does not represent a commitment on the part of Wenger Corporation. Wenger Corporation does not assume any responsibility for any errors that may appear in this manual.

In no event will Wenger Corporation be liable for technical or editorial omissions made herein, nor for direct, indirect, special, incidental, or consequential damages resulting from the use or defect of this manual.

The information in this document is not intended to cover all possible conditions and situations that might occur. The end user must exercise caution and common sense when assembling or installing Wenger Corporation products. If any questions or problems arise, call Wenger Corporation at 1-800-733-0393.

MANUFACTURER

The OnBoard® Uniform Cart is manufactured by:
Wenger Corporation
555 Park Drive
Owatonna, MN 55060
1-507-455-4100 • 1-800-733-0393
www.wengercorp.com

INTENDED USE

- This product is intended for indoor use in normal ambient temperature and humidity conditions — it must not be exposed to prolonged outside weather conditions. Plastic components will be susceptible to impact damage in cold weather. Use care when loading, unloading, moving or handling the uniform cart, particularly in cold weather.
-

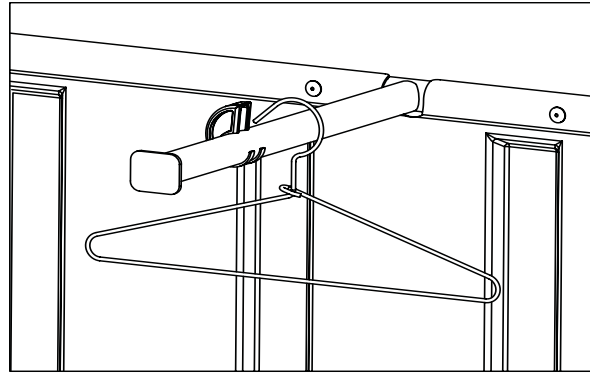
OPERATION

1. Use the Uniform Cart with care. Always observe the precautions listed on page 2 of this document.
2. When loading the Uniform Cart into a coach bus, lay the loaded cart with its back laying down onto the edge of the open bus bay and with uniforms laying flat face up in the cart. Use handholds located on the frame to tip and slide the cart into position in the bus bay. It should not be necessary to lift the entire cart.

HANGER HOLDER ATTACHMENT

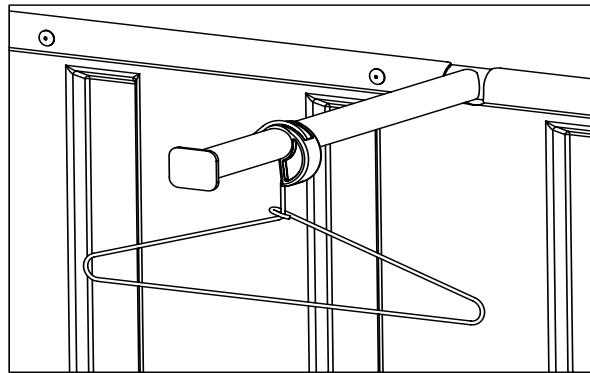
1. Snap hanger holder on the bar as shown in view A. Be careful not to over bend the part, this may cause the holder to break.

View A



2. Locate hanger over bar into holder as shown in view B and rotate holder down so that the hanger is secure.

View B



MAINTENANCE

1. Clean the Uniform Cart with a mild detergent and warm water. Avoid using harsh or abrasive cleaning products.
2. Immediately replace any caster wheels that do not rotate or turn freely.
3. Immediately replace or repair any wheel that develops a flat area.

REPLACEMENT PART LIST

Item # Description

- 1 Caster, Swivel, 4" diameter
- 2 Caster, Swivel, 4" diameter, Braked
- 3 Hanger Holder