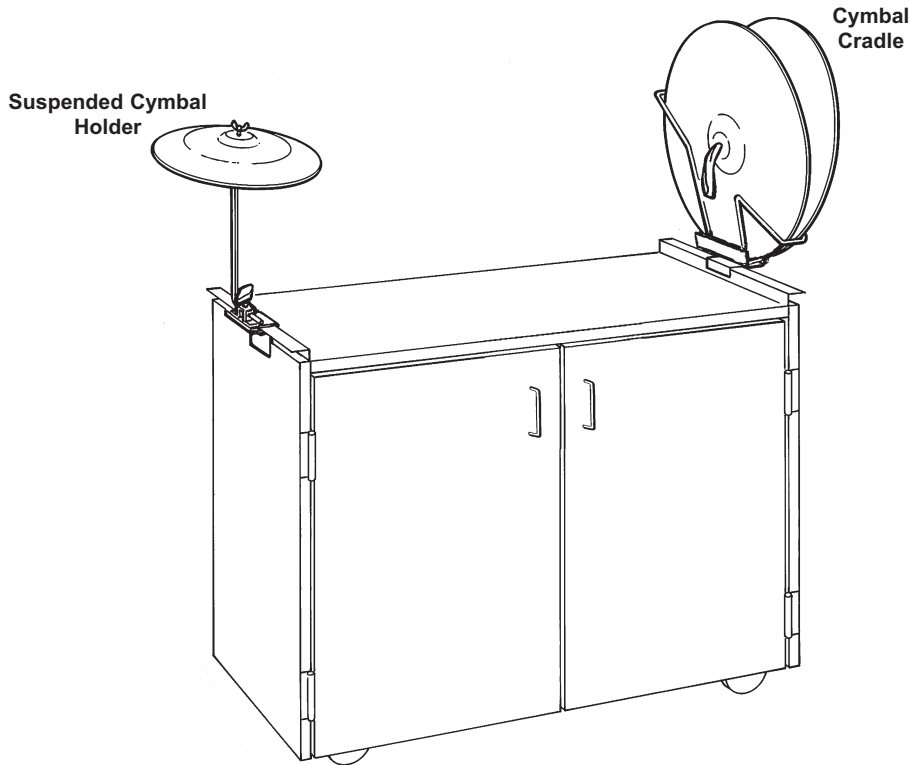




Your Performance Partner

# Assembly Instructions Suspended Cymbal Holder & Cymbal Cradle for Wenger Percussion Cabinet



## CONTENTS

|  |     |
|--|-----|
| Warranty . . . . .   | 2   |
| Important User Information . . . . .                       | 2   |
| General . . . . .  | 2   |
| Manufacturer . . . . .                                     | 2   |
| Intended Use . . . . .                                     | 2   |
| Before You Begin . . . . .                                 | 3   |
| Fasteners Parts List - Suspended Cymbal Holder . . . . .   | 3   |
| Replacement Parts List - Suspended Cymbal Holder . . . . . | 3   |
| Fasteners Parts List - Suspended Cymbal Cradle . . . . .   | 4   |
| Replacement Parts List - Suspended Cymbal Cradle . . . . . | 4   |
| Suspended Cymbal Holder Assembly . . . . .                 | 5-6 |
| Cymbal Cradle Assembly . . . . .                           | 7   |

Please read and understand these Assembly Instructions before working with or using the Suspended Cymbal Holder & Cymbal Cradle.

If you need additional information about the Suspended Cymbal Holder & Cymbal Cradle, contact Wenger Corporation using the information below.

# WARRANTY

---

The Suspended Cymbal Holder & Cymbal Cradle are guaranteed free of defects in materials and workmanship for five full years.

Our guarantee assures you of either a full refund or repair or replacement of the defective materials or workmanship without charge, at the discretion of our Customer Service Department. Just call a Customer Service Representative at 1-800-887-7145 and state the reason you are dissatisfied. If a product return is necessary, your representative will issue a return authorization. This is your sole remedy for breach of this warranty.

Should you have a question or problem with any Wenger product, don't hesitate to call, even if the product is past warranty. It's important to us that all our customers be satisfied.

This is the sole warranty made by Wenger. Wenger disclaims all other warranties, including the warranties of merchantability and fitness for a particular purpose, as well as all liability for incidental, consequential, special, and indirect damage. Wenger liability for direct damages shall be limited to the amount you paid for the product involved. Wenger reserves the right to make product changes without obligation to incorporate such changes into products previously sold.

Some states do not allow the exclusion or limitation of damages or warranties, so the above may not apply to you. This warranty gives you specific legal rights. You may also have other rights which vary from state to state.

## IMPORTANT USER INFORMATION

---

### GENERAL

Copyright® 2009 by Wenger Corporation

All rights reserved. No part of the contents of this manual may be reproduced, copied, or transmitted in any form or by any means including graphic, electronic, or mechanical methods or photocopying, recording, or information storage and retrieval systems without the written permission of the publisher, unless it is for the purchaser's personal use.

Printed and bound in the United States of America.

The information in this manual is subject to change without notice and does not represent a commitment on the part of Wenger Corporation. Wenger Corporation does not assume any responsibility for any errors that may appear in this manual.

In no event will Wenger Corporation be liable for technical or editorial omissions made herein, nor for direct, indirect, special, incidental, or consequential damages resulting from the use or defect of this manual.

The information in this document is not intended to cover all possible conditions and situations that might occur. The end user must exercise caution and common sense when assembling or installing Wenger Corporation products. If any questions or problems arise, call Wenger Corporation at 1-800-733-0393.

### MANUFACTURER

The Suspended Cymbal Holder & Cymbal Cradle are manufactured by:

Wenger Corporation  
555 Park Drive  
Owatonna, MN 55060  
1-507-455-4100 • 1-800-733-0393  
wraw.wengercorp.com

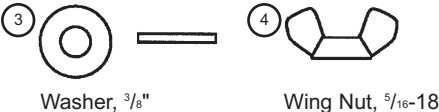
### INTENDED USE

- This product is intended for indoor use in normal ambient temperature and humidity conditions — it must not be exposed to prolonged outside weather conditions.
  - This product is intended to be assembled only as described in these instructions.
-

# BEFORE YOU BEGIN

- Read the complete assembly procedure before you begin.
- Remove all items from the shipping carton and lay them out approximately in their final position.
- Remove all items from the hardware bag and determine where all of the fasteners will be used.

# FASTENER PARTS LIST - SUSPENDED CYMBAL HOLDER

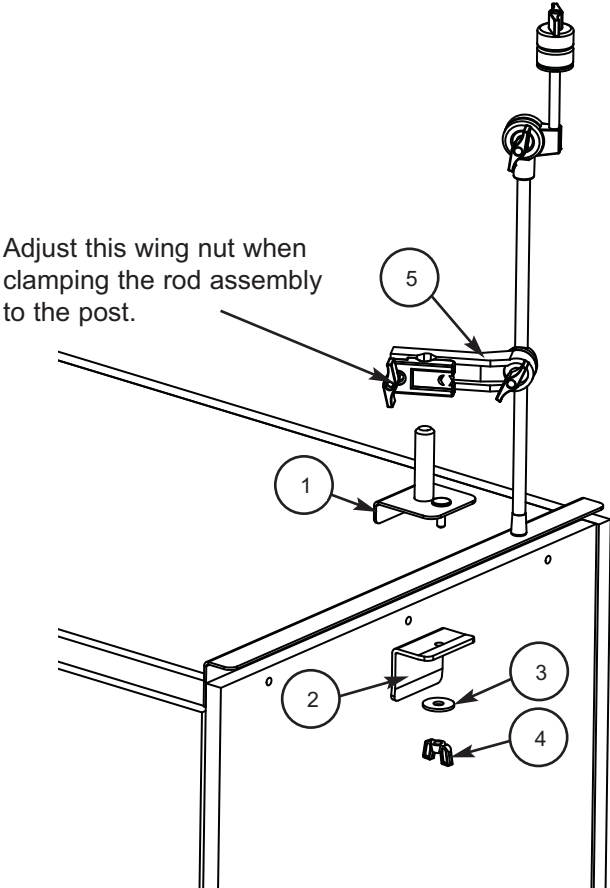


Washer, 3/8"

Wing Nut, 5/16-18

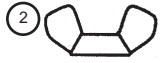
# REPLACEMENT PARTS LIST - SUSPENDED CYMBAL HOLDER

| Item | Description             | Item | Description                       |
|------|-------------------------|------|-----------------------------------|
| 1    | Bracket Assembly, Upper | 4    | Wing Nut, 5/16-18                 |
| 2    | Plate, Lower            | 5    | Rod Assembly (includes fasteners) |
| 3    | Washer, 3/8" ID         |      |                                   |



# FASTENER PARTS LIST - CYMBAL CRADLE

---

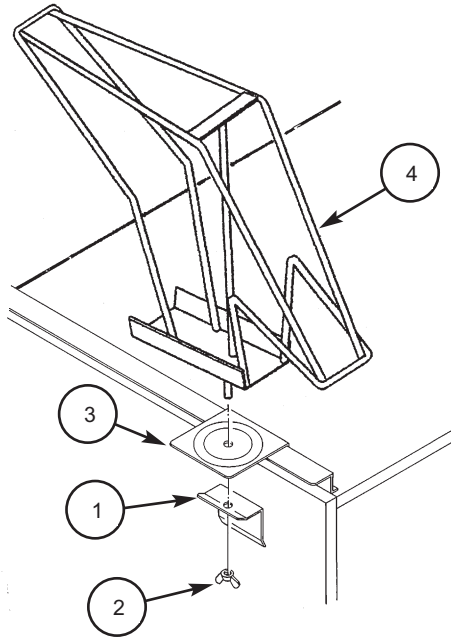


Wing Nut,  $\frac{5}{16}$ -18

# REPLACEMENT PARTS LIST - CYMBAL CRADLE

---

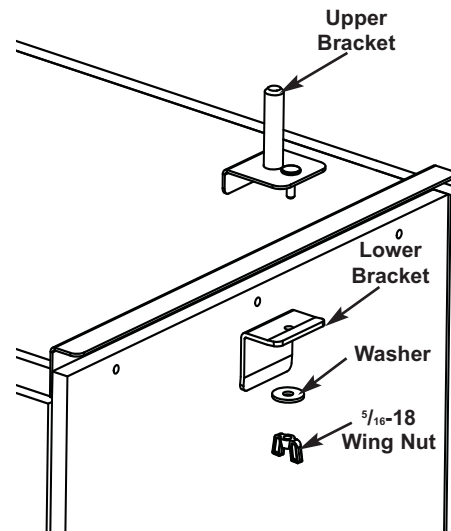
| Item | Description                  |
|------|------------------------------|
| 1    | Plate, Lower                 |
| 2    | Wing Nut, $\frac{5}{16}$ -18 |
| 3    | Bracket, Upper               |
| 4    | Cradle, Cymbal               |



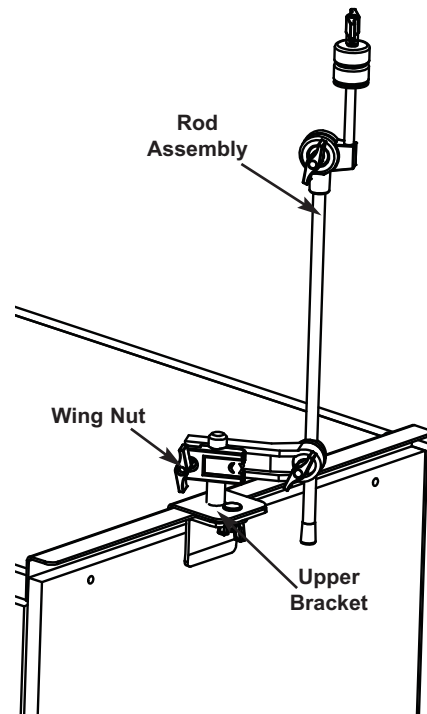
# SUSPENDED CYMBAL HOLDER ASSEMBLY

---

1. Set the Upper Bracket (1) on the Percussion Cabinet Rail.
2. Loosely assemble the Lower Plate (2) to the Upper Bracket (1), using a Washer (3) and a  $\frac{5}{16}$ -18 Wing Nut (4).



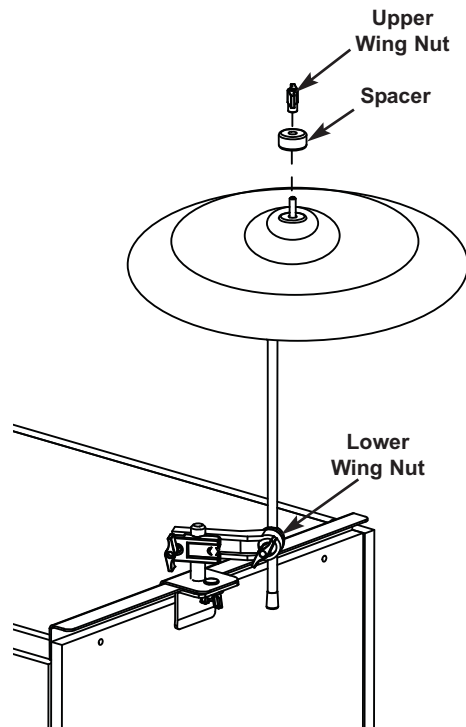
4. Assemble the rod assembly (5) to the post of the upper bracket assembly (1) as shown by adjusting the wing nut.



## SUSPENDED CYMBAL HOLDER ASSEMBLY (CONTINUED)

---

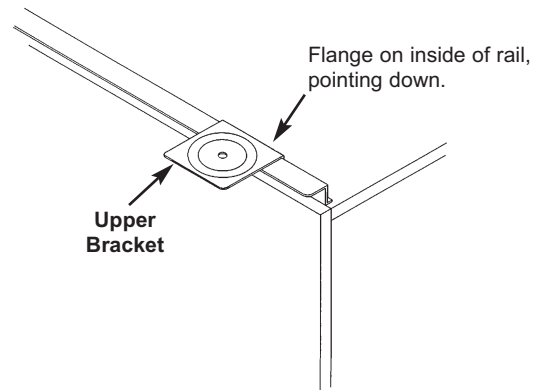
5. Remove the Upper Wing Nut and Nylon Spacer.  
Install the Cymbal, and secure with the Spacer and a Wing Nut.
6. Move the Upper Bracket along the Rail until the Cymbal is in a convenient position, then lock securely with a Lower Wing Nut (4).



# CYMBAL CRADLE ASSEMBLY

---

1. Set the Upper Bracket (3) on the Percussion Cabinet Rail, with the Flange pointing down as shown.



2. Insert the Cradle (4) into the hole in the Upper Bracket (3).
3. Secure the Cradle loosely with the Lower Plate (1) and a Wing Nut (2).
4. Move the Cradle along the Rail to a convenient position, then lock securely with the Wing Nut.

