

CONTENTS

Important User Information	2	Before You Begin	3
General	2	Required Tools	3
Manufacturer	2	Fastener Parts List	3
Intended Use	2	Replacement Parts List	3
Warranty	2	Music Desk Assembly	3

Note: Please read and understand these instructions before assembling the parts.

Note: Remove all items from the shipping cartons and arrange them in a convenient location. Refer to the illustrations on the following pages.
If you need additional information, contact Wenger Corporation using the information below.

IMPORTANT USER INFORMATION

GENERAL

Copyright © 2012 by Wenger Corporation

All rights reserved. No part of the contents of this manual may be reproduced, copied, or transmitted in any form or by any means including graphic, electronic, or mechanical methods or photocopying, recording, or information storage and retrieval systems without the written permission of the publisher, unless it is for the purchaser's personal use.

Printed and bound in the United States of America.

The information in this manual is subject to change without notice and does not represent a commitment on the part of Wenger Corporation. Wenger Corporation does not assume any responsibility for any errors that may appear in this manual.

In no event will Wenger Corporation be liable for technical or editorial omissions made herein, nor for direct, indirect, special, incidental, or consequential damages resulting from the use or defect of this manual.

The information in this document is not intended to cover all possible conditions and situations that might occur. The end user must exercise caution and common sense when assembling or installing Wenger Corporation products. If any questions or problems arise, call Wenger Corporation at 1-800-887-7145.

MANUFACTURER

The Music Desk is manufactured by:

Wenger Corporation
555 Park Drive
Owatonna, MN 55060
1-800-4WENGER (493-6437) • 1-507-455-4100
www.wengercorp.com

INTENDED USE

- This product is intended for indoor use in normal ambient temperature and humidity conditions — it must not be exposed to prolonged outside weather conditions.
- This product is intended to be assembled and used only as described in these instructions.

WARRANTY

This product is guaranteed free of defects in materials and workmanship for ten full years from date of shipment. A full warranty statement is available upon request.

BEFORE YOU BEGIN

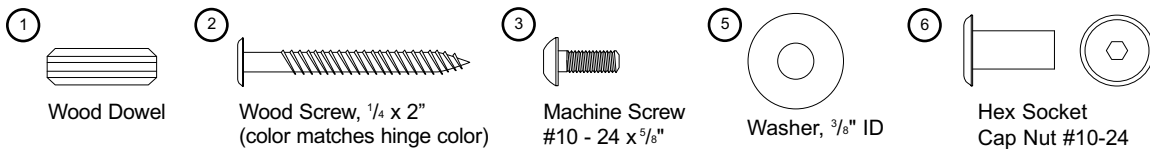
- Read the complete assembly procedure before you begin.
- Remove all items from the shipping carton and lay them out approximately in their final position.
- Remove all items from the hardware bag and determine where all of the fasteners will be used.

REQUIRED TOOLS

The following tools must be available to assemble the Music Desk:

- Rubber Mallet
- Phillips-Head Screwdriver
- Variable Speed Drill (to drive hex socket screws)
- $\frac{5}{32}$ " Hex Insert Bit (supplied).

FASTENER PARTS LIST

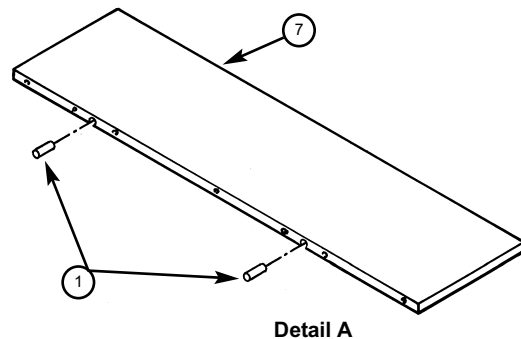


REPLACEMENT PARTS LIST

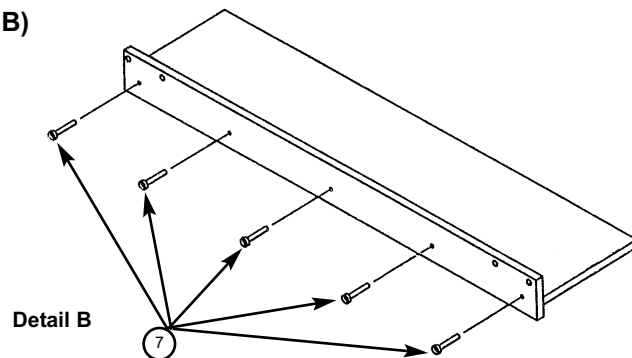
Item	Description	Item	Description
1	Wood Dowel	5	Washer, $\frac{3}{8}$ " ID
2	Wood Screw, $\frac{1}{4}$ x 2" (color matches hinge color)	6	Hex Socket Cap Nut #10 - 24
3	Machine Screw #10 - 24 x $\frac{5}{8}$ "	7	Desk Panel
4	Desk Pivot Bracket	8	Tray Panel

MUSIC DESK ASSEMBLY

1. Tap the two Wood Dowels (1) into the indicated holes on the edge of the Desk Panel (7). **(Detail A)**



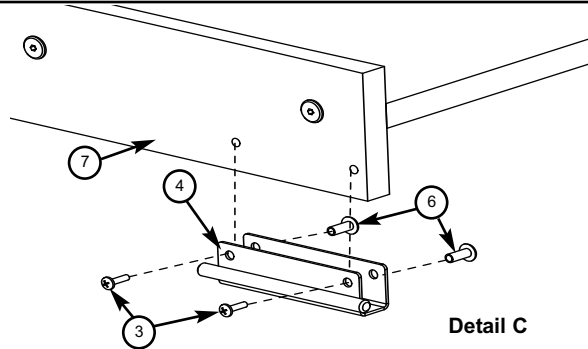
2. Slip the Tray Panel onto the Wood Dowels. Attach the panels together with five Wood Screws (2), and tighten with the Hex Insert Bit. **(Detail B)**



MUSIC DESK ASSEMBLY (CONTINUED)

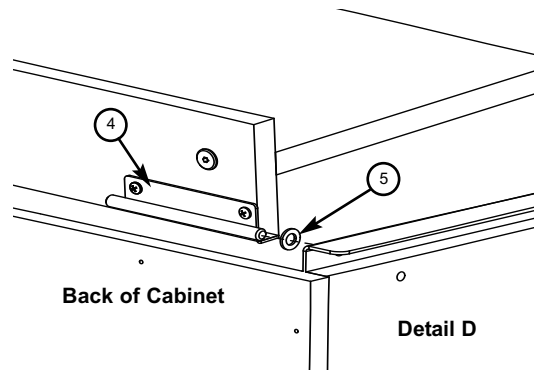
3. Turn the assembled Music Desk upside down, and rest it on top of the Percussion Cabinet.

4. Attach a Desk Pivot Bracket (4) at one end of the Desk Panel (7) with two Machine Screws (3) and two hex socket cap nuts (6). **(Detail C)**



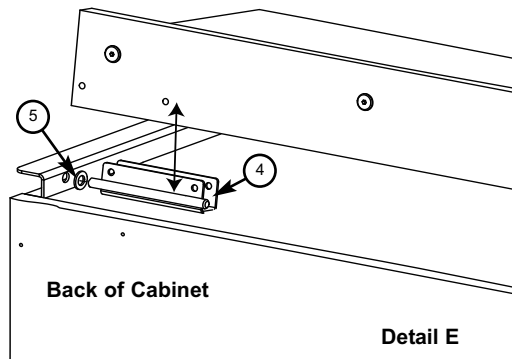
5. Slip a Washer (5) onto the outside end of the Desk Pivot Bracket (4). **(Detail D)**

6. Insert the end of the Desk Pivot Bracket (4) into the hole in the Percussion Cabinet's top bracket.



7. Slip the remaining Washer (5) onto the other Desk Pivot Bracket (4). **(Detail E)**

8. Insert the Desk Pivot Bracket through the hole in the top bracket on that side of the Percussion Cabinet.



9. Attach the Desk Pivot Bracket to the Music Desk with the remaining two Machine Screws (3) and two hex socket cap nuts (6). **(Detail F)**

