

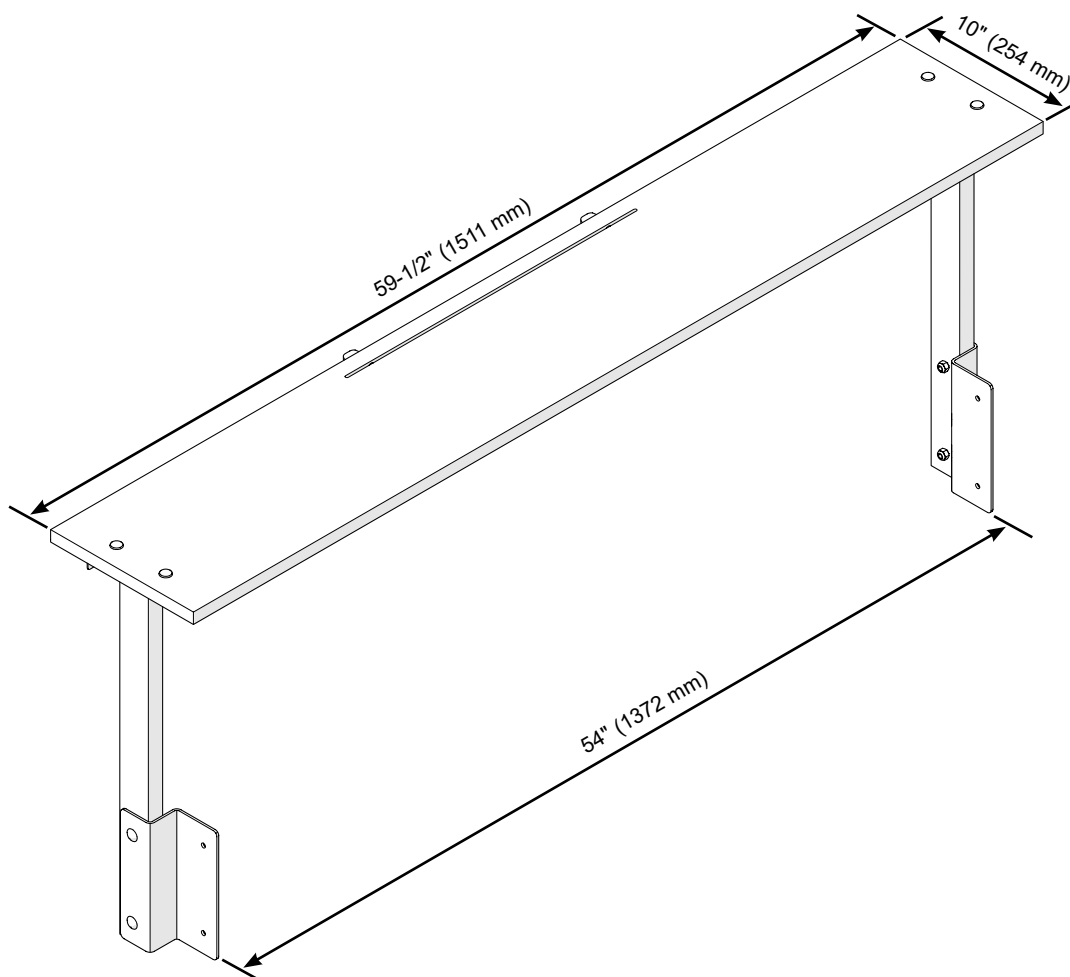
Piano Work Desk

Construction

- 225A100 33 lb (15 kg)
- Heavy-duty polyester oyster laminate is adhered to 3/4" (19 mm) thermofused industrial-grade composite wood with 3 mm vinyl edge banding on all edges
- Reinforced for strength with steel sheet metal with grey powder-coat paint finish
- Supported by steel uprights with grey powder-coat paint finish
- Surface dimensions are 59-1/2" long x 10" deep (1511 x 254 mm)

Performance Requirements

- Allows for better usage of space
- Creates a work surface to hold computers, equipment, books or music
- Fits on Yamaha YPG635 and DGX630 digital pianos
- Connects to directly to the piano stand with existing fasteners, no need to add holes
- Slot to move an existing music tray from the piano to the work desk
- Environmental attributes for our products can be found at www.wengercorp.com/green-initiatives.php or by contacting your Wenger representative
- Ten-year warranty



Wenger®

JRCLANCY

GEARBOSS®

PURCHASE
ONLINE!© 2022 Wenger Corporation
USA/2022-03

MUSIC EDUCATION AND PERFORMING ARTS

Owatonna Office: Phone 800.4WENGER (493-6437) Worldwide +1.507.455.4100 | Parts & Service 800.887.7145 | wengercorp.com
555 Park Drive, PO Box 448 | Owatonna | MN 55060-0448

Syracuse Office: Phone 800.836.1885 Worldwide +1.315.451.3440 | jrclancy.com | 7041 Interstate Island Road | Syracuse | NY 13209-9713

ATHLETICS Phone 800.493.6437 | email gearboss@wengercorp.com | gearboss.com | 555 Park Drive, PO Box 448 | Owatonna | MN 55060-0448