

CONTENTS

| | |
|----------------------------------|---|
| Before You Begin | 2 |
| Warranty | 2 |
| Required Tools | 2 |
| Fastener Parts List | 2 |
| Important User Information | 3 |
| General | 3 |
| Manufacturer | 3 |
| Intended Use | 3 |
| Routine Maintenance | 3 |
| Replacement Parts List | 4 |
| Assembly | 5 |

Note: Please read and understand these Tablet Arm Assembly Instructions before attempting installation, assembly, or use.

Note: Remove all items from the shipping containers and sort the components by type, size, etc. Refer to the illustrations on the following pages. If you need additional information, contact the Wenger Corporation using the information below.

BEFORE YOU BEGIN

Read and understand the complete assembly procedure before you begin.

Remove all items from the shipping carton.

WARRANTY

The Wenger Tablet Arm is guaranteed free of defects in materials and workmanship for five full years.

Our guarantee assures you of either a full refund or repair or replacement of the defective materials or workmanship without charge, at the discretion of our Customer Service Department. Just call a Customer Service Representative at 1-800-887-7145 and state the reason you are dissatisfied. If a product return is necessary, your representative will issue a return authorization. This is your sole remedy for breach of this warranty.

Should you have a question or problem with any Wenger product, don't hesitate to call, even if the product is past warranty. It's important to us that all our customers be satisfied.

This is the sole warranty made by Wenger. Wenger disclaims all other warranties, including the warranties of merchantability and fitness for a particular purpose, as well as all liability for incidental, consequential, special, and indirect damage. Wenger liability for direct damages shall be limited to the amount you paid for the product involved. Wenger reserves the right to make product changes without obligation to incorporate such changes into products previously sold.

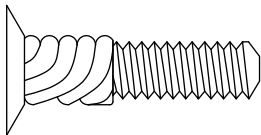
Some states do not allow the exclusion or limitation of damages or warranties, so the above may not apply to you. This warranty gives you specific legal rights. You may also have other rights which vary from state to state.

REQUIRED TOOLS

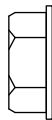
The following tools are required to assemble and attach the Tablet Arm.

- 7/16" Box Wrench
- 3/8" Box Wrench
- 1/2" Socket
- 7/16" Socket
- 2" Socket Extension
- Ratcheting Wrench
- Phillips Head Screwdriver

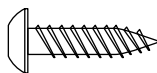
FASTENER PARTS LIST



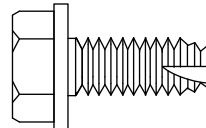
Screw, Speaker, ZP,
#10-24 x 0.870



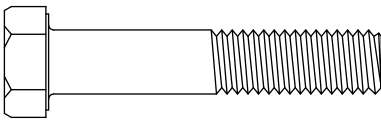
Nut, Lock, Flange,
#10-24



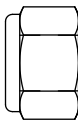
Screw, SM, PH, ZP
8 x 1/2



Screw, Tapping, LG,
5/16 x 3/4



Capscrew, GD 2, ZP,
1-1/4-20 x 1-1/2



Nut, NY, IN, Full, ZP,
1/4-20

Note: Hardware Pack may contain extra fasteners.

IMPORTANT USER INFORMATION

GENERAL

Copyright © 2011 by Wenger Corporation

All rights reserved. No part of the contents of this manual may be reproduced, copied, or transmitted in any form or by any means including graphic, electronic, or mechanical methods or photocopying, recording, or information storage and retrieval systems without the written permission of the publisher, unless it is for the purchaser's personal use.

Printed and bound in the United States of America.

The information in this manual is subject to change without notice and does not represent a commitment on the part of Wenger Corporation. Wenger Corporation does not assume any responsibility for any errors that may appear in this manual.

In no event will Wenger Corporation be liable for technical or editorial omissions made herein, nor for direct, indirect, special, incidental, or consequential damages resulting from the use or defect of this manual.

The information in this document is not intended to cover all possible conditions and situations that might occur. The end user must exercise caution and common sense when assembling or installing Wenger Corporation products. If any questions or problems arise, call Wenger Corporation at 1-800-887-7145.

MANUFACTURER

The Tablet Arm is manufactured by:

Wenger Corporation
555 Park Drive
Owatonna, MN 55060
1-800-4WENGER (493-6437) • 1-507-455-4100
www.wengercorp.com

INTENDED USE

- This product is designed to provide a desktop work surface while the chair is in use.
- This product is intended for indoor use in normal ambient temperature and humidity conditions.
- This product is intended to be used only as described in these instructions.

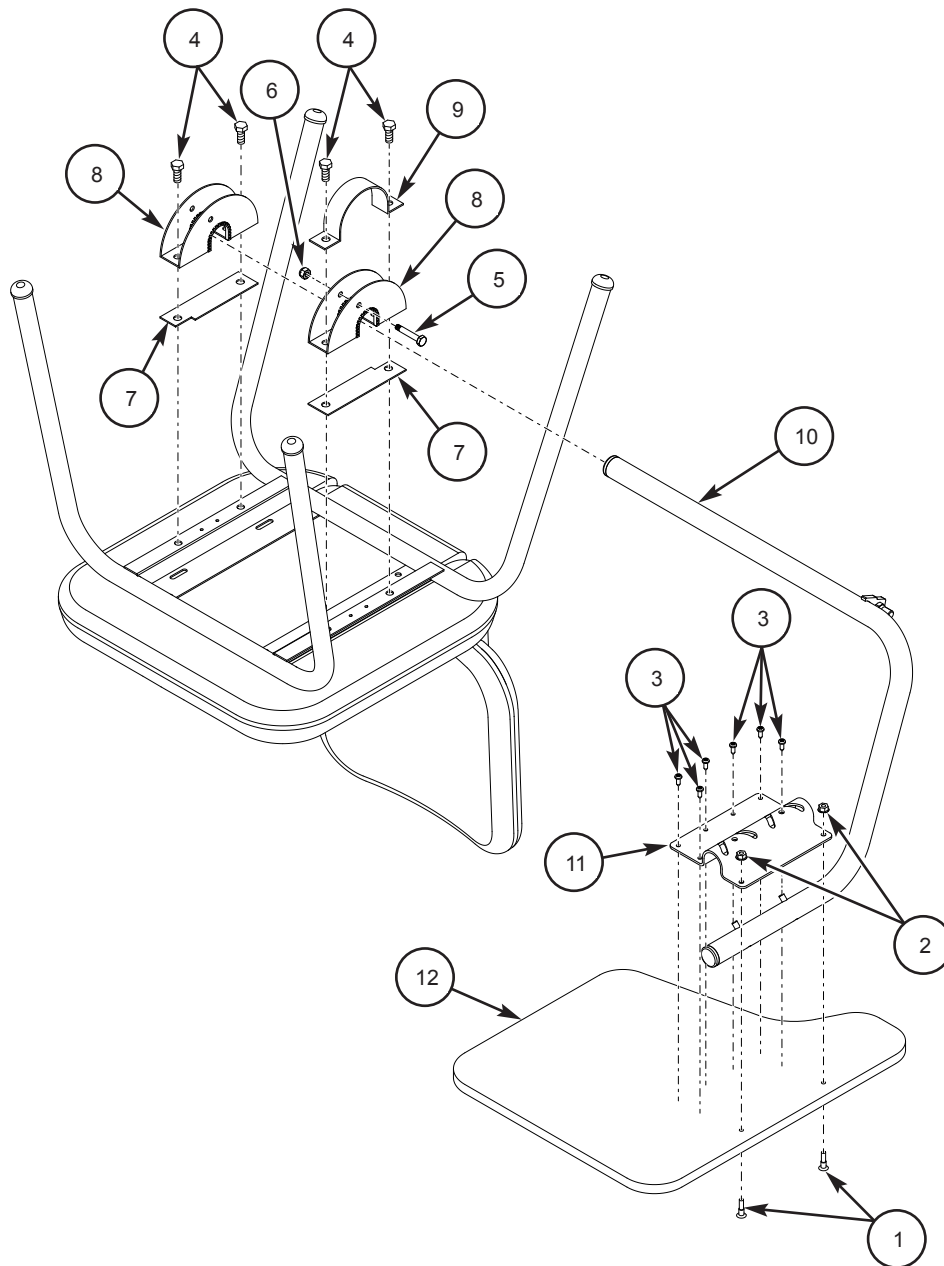
ROUTINE MAINTENANCE

1. Replace damaged parts promptly.
2. Lubrication of Tablet Arm components is not necessary under normal circumstances. In dusty or abnormal environments, moving parts may be lubricated using any white lithium grease or petroleum based lubricant.

Note: Dry film lubricants are less likely to trap dust or other contaminants.

REPLACEMENT PARTS LIST

| Item | Qty | Description | Item | Qty | Description |
|------|-----|--------------------------------------|------|-----|----------------------------------|
| 1 | 2 | Screw, Speaker, ZP, #10-24 x 0.870 | 7 | 2 | Spacer, Tablet Arm Bracket |
| 2 | 2 | Nut, Lock, Flange, #10-24 | 8 | 2 | Pivot Bracket, Tablet Arm |
| 3 | 6 | Screw, SM, PH, ZP, 8 x 1/2 | 9 | 1 | Cover, Pivot Bracket, Tablet Arm |
| 4 | 4 | Screw, Tapping, LG, 5/16 x 3/4 | 10 | 1 | Support Tube, Tablet Arm |
| 5 | 1 | Capscrew, GD 2, ZP, 1-1/4-20 x 1-1/2 | 11 | 1 | Bracket, Desk, Tablet Arm |
| 6 | 1 | Nut, NY. IN, Full, ZP, 1/4-20 | 12 | 1 | Desk, Tablet Arm |



ASSEMBLY

1. Mount the Tablet Arm Desk to the Support Tube as follows:

- a. Slide the Desk Bracket over the end of the Support Tube so that the slots engage the Stop Pins.

Be sure that the slots in the Desk Bracket are orientated to the inside of the chair (away from the longest side of the Tablet Arm Desk).

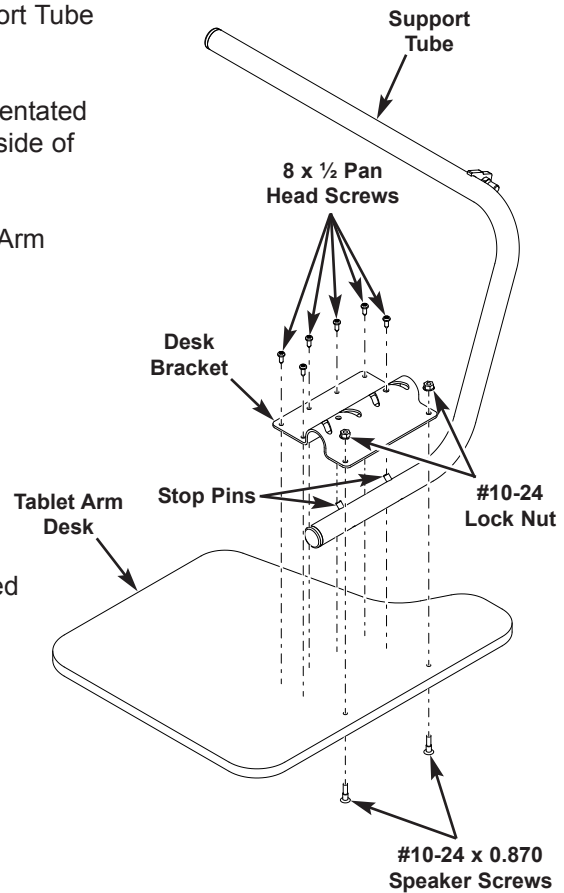
From the user's viewpoint, this allows the Tablet Arm Desk to rotate clockwise.

NOTE: The first and third angled slots are for right hand set-up.

- b. For proper Tablet Arm Desk placement, thread two #10-24 x 0.870 Speaker Screws into the pre-drilled holes in the Tablet Arm Desk and through the Desk Bracket. Secure them both with a #10-24 Lock Nut.

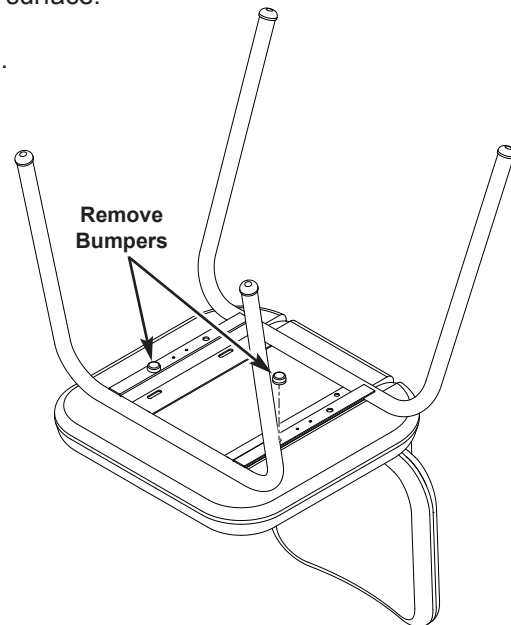
NOTE: The Speaker Screws may have to be started by tapping them into the pre-drilled holes with a hammer.

- c. Thread the six 8 x 1/2" Pan Head Screws through the Desk Bracket and into the Tablet Arm Desk. Tighten the screws until they are fully seated.



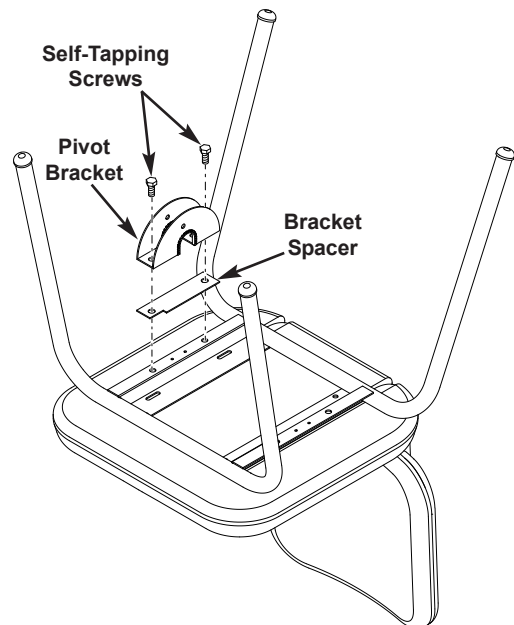
ASSEMBLY CONTINUED

2. Place the chair upside down on a table or bench.
Protect the chair by placing a pad or blanket on the work surface.
3. If the chair has bumpers installed, they must be removed.
This can be done using a pliers to pull them out.



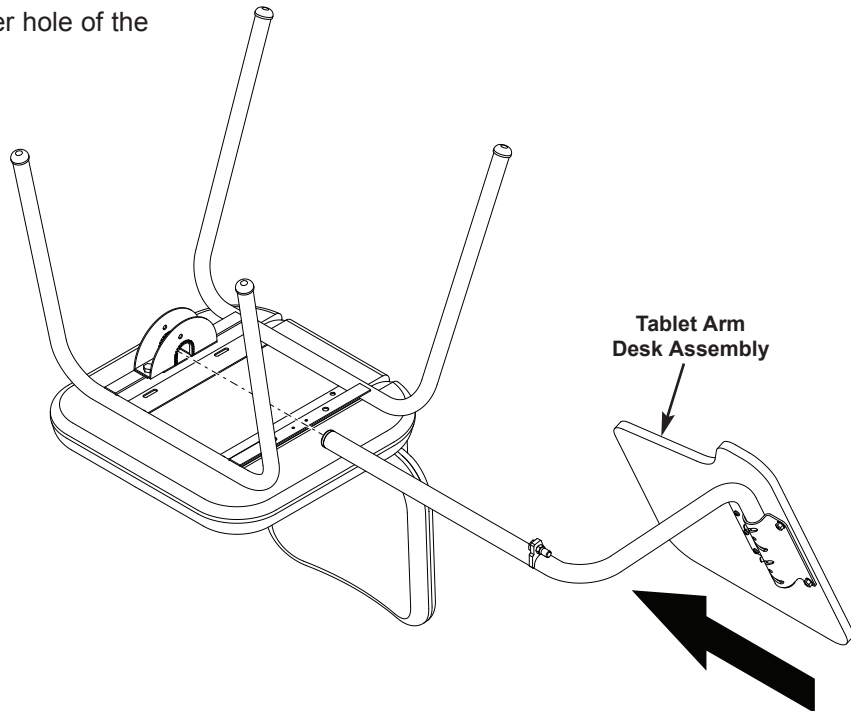
4. Pre-cut the mounting holes by threading, and then removing a $\frac{5}{16} \times \frac{3}{4}$ " Self-Tapping Screw into each of the four pre-punched mounting holes on the bottom of the chair frame legs.
5. Attach one Bracket Spacer and one Pivot Bracket to the left side of the chair frame using two $\frac{5}{16} \times \frac{3}{4}$ " Self-Tapping Screws.

Do not fully tighten the screws at this time.
You should be able to move the Pivot Bracket back and forth slightly.



ASSEMBLY CONTINUED

- Slide the Support Tube of the Tablet Arm Desk Assembly into the 1" diameter hole of the Pivot Bracket.



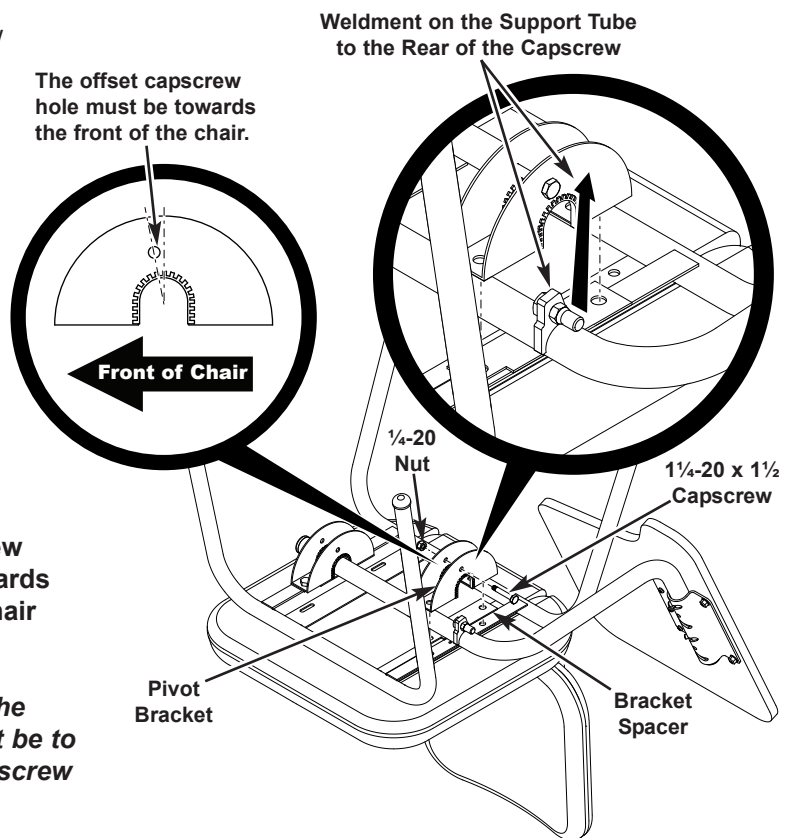
- Assemble a 1/4-20 x 1 1/2 Capscrew and 1/4-20 Nut to the **unattached** Pivot Bracket as shown. The previously attached Pivot Bracket does not require this hardware.

- Slide a Bracket Spacer under the Support Tube and align it with the holes in the chair frame.

- Place the Pivot Bracket over the Support Tube and align the holes with the holes in the Bracket Spacer.

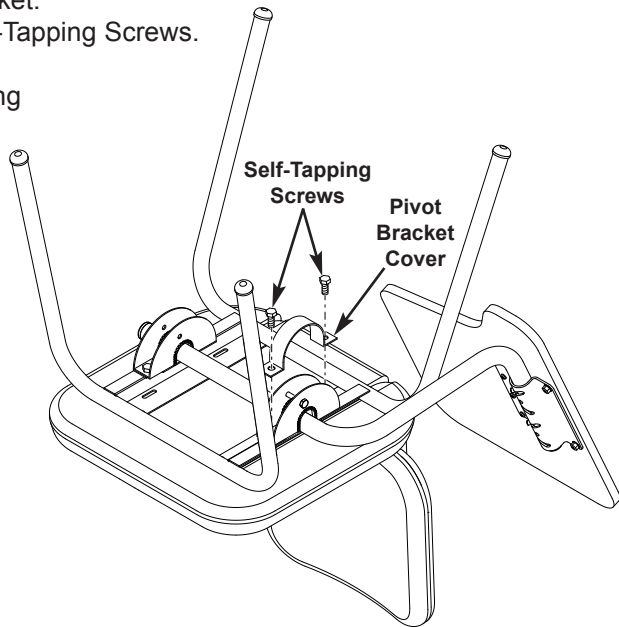
IMPORTANT: The offset capscrew hole must be towards the front of the chair as shown.

IMPORTANT: The weldment on the Support Tube must be to the rear of the Capscrew as shown.



ASSEMBLY CONTINUED

10. Slip the Pivot Bracket Cover over the Pivot Bracket.
Attach to the chair frame using two $\frac{5}{16} \times \frac{3}{4}$ " Self-Tapping Screws.
11. Fully tighten all four Self-Tapping Screws securing both Pivot Brackets.



12. Turn the chair back over and check the operation of the Tablet Arm Desk.
 - a. Rotate the Tablet Arm Desk until the work surface is perpendicular to the floor.
 - b. The Tablet Arm Assembly should be able to rotate 90 degrees upward and 90 degrees toward the back of the chair.

⚠ CAUTION

Never exceed 65 lbs (29 kg) of weight on the Tablet Arm Desk. Loads that exceed this limit could cause damage or injury.

