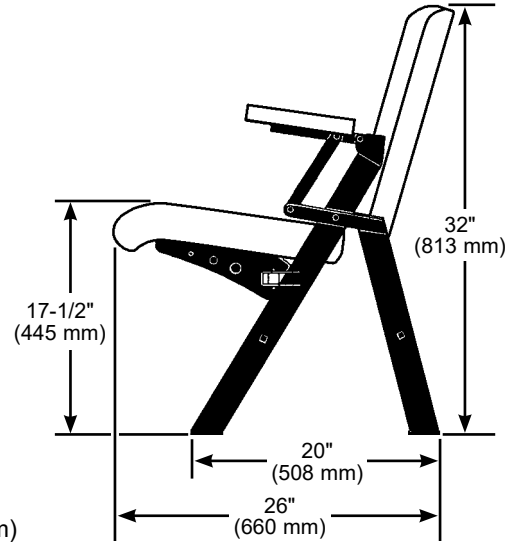


Portable Audience Chair — Standard Model



- Portable Audience Chair — Standard 23" (584 mm) (see chart below for other widths)
 - Single 027A101._: 35 lb (16 kg)
 - Double 027A102._: 55 lb (25 kg)
 - Triple 027A103._: 82 lb (37 kg)
- Freestanding, folding, audience seating chair with built-in ganging device
- Steel chair frame is constructed with 16 gauge continuous electric welded 1" x 2" (25 x 51 mm) rectangular steel tube
- Frame is finished with a durable black powder coat
- Yellow birch hardwood arm rest in black lacquer finish with rounded corners for a stylish appearance
- The chair folds for storage and transport on the accessory cart
- Seat and back are upholstered with durable 100% Polypropylene fabric (Sherpa and Shire Marquesa® Lana)
 - Available in standard Absecon Mills, Sherpa and Shire fabrics
- Seat cushion is 2-1/2" (64 mm) thick, high-resiliency polyurethane foam with a 5 ply-3/8" (10 mm) contoured hardwood plywood substrate
- Back cushion is 1-1/2" (38 mm) thick, high-resiliency polyurethane foam with a 5 ply-3/8" (10 mm) contoured hardwood plywood substrate
 - Back cushion is shaped to provide lumbar support for long-term comfort
- Chair seat is spring-loaded and returns to a folded position when not occupied
- Overall chair height is 32" (813 mm) with a seat height of 17-1/2" (445 mm)
- Chair depth (back of chair to front edge of seat in the "down" position) is 26" (660 mm)
- When the seat automatically returns to the "up" position, the chair depth is 20" (508 mm)
- ANSI/BIFMA x 5.1-2002
- ASTM F851-87 (2000)
- Environmental attributes and LEED compliance for this product can be found at www.wengercorp.com/GREEN or by contacting your Wenger representative
- Five-year warranty

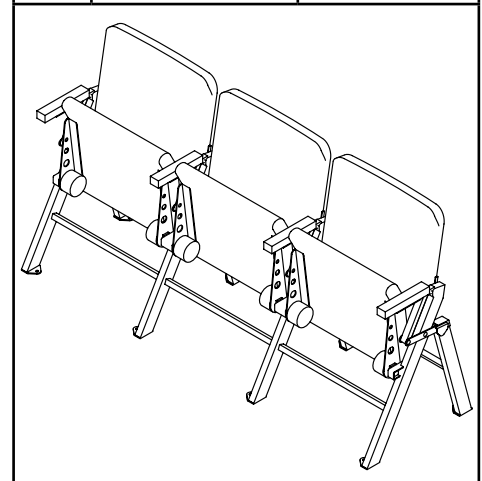
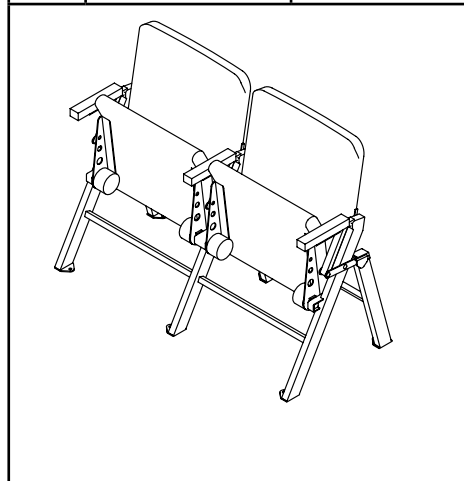
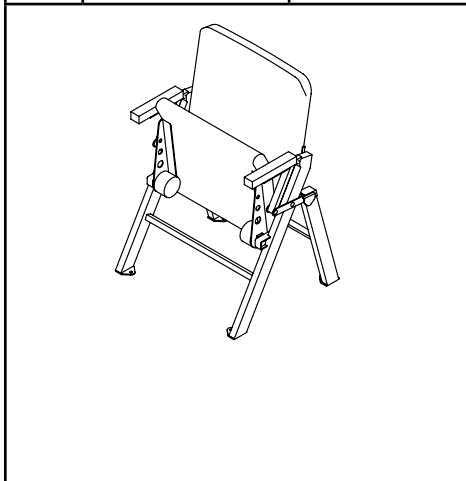


**Common Dimensions
Single, Double
and Triple Chairs**

Single Chair		
Chair Model	Size Outside to Outside	"Arm Rest" Center to Center
21	21" (533 mm)	19" (483 mm)
22	22" (559 mm)	20" (508 mm)
23	23" (584 mm)	21" (533 mm)
24	24" (610 mm)	22" (559 mm)
25	25" (635 mm)	23" (584 mm)
26	26" (660 mm)	24" (610 mm)

Double Chair		
Chair Model	Size Outside to Outside	Arm Rest Center to Center
21	40" (1016 mm)	19" (483 mm)
22	42" (1067 mm)	20" (508 mm)
23	44" (1118 mm)	21" (533 mm)
24	46" (1168 mm)	22" (559 mm)
25	48" (1219 mm)	23" (584 mm)
26	50" (1270 mm)	24" (610 mm)

Triple Chair		
Chair Model	Size Outside to Outside	Arm Rest Center to Center
21	59" (1499 mm)	19" (483 mm)
22	62" (1575 mm)	20" (508 mm)
23	65" (1651 mm)	21" (533 mm)
24	68" (1727 mm)	22" (559 mm)
25	71" (1803 mm)	23" (584 mm)
26	74" (1880 mm)	24" (610 mm)



Options

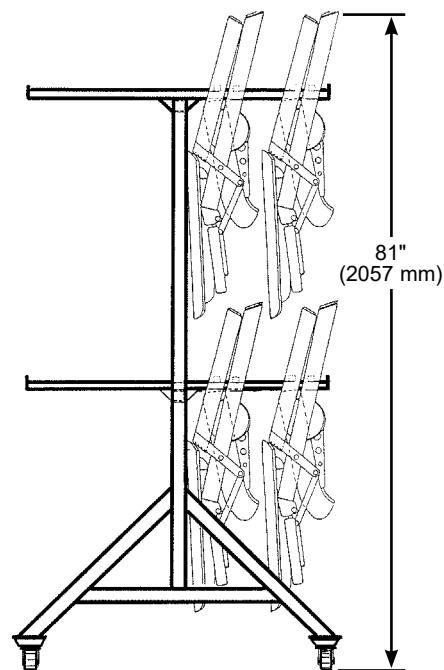
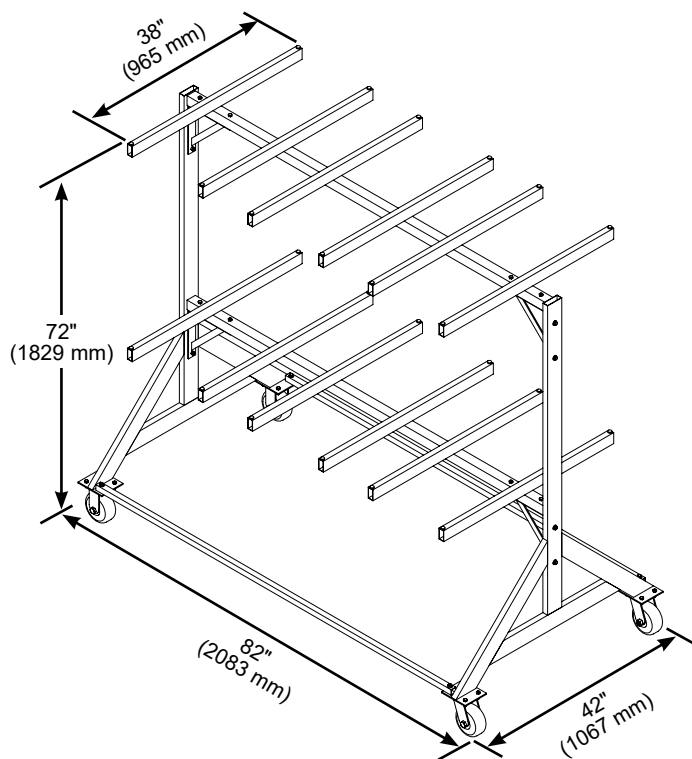
- Number/Letter sets are magnetic or self-adhesive in brushed gold with black lettering
- Blank donor plates in brushed gold for engraving by the customer
- Armrest relief to accept donor plates
- Drink holder - right arm only
- California Technical Bulletin 133 compliant

Storage/Transport Cart

- 027A036 150 lb (68 kg)
- Rack, move, and store up to 24 Wenger portable audience seating chairs
- Steel construction with easy-roll casters
- Overall cart dimensions: 72" high x 82" wide x 42" deep (1829 x 2083 x 1067 mm)
Cart will NOT fit through a standard 32" (813 mm) door
- Overall cart dimensions with stored chairs: 81" high x 82" wide x 42" deep (2057 x 2083 x 1067 mm)
- Five-year warranty
- Assembly required

Dust Cover

- 027A037
- Vinyl Coated Polyester
- For use with chairs stacked on cart



© 2020 Wenger Corporation
USA/2020-02

MUSIC EDUCATION AND PERFORMING ARTS

Owatonna Office: Phone 800.4WENGER (493-6437) Worldwide +1.507.455.4100 | Parts & Service 800.887.7145 | wengercorp.com
555 Park Drive, PO Box 448 | Owatonna | MN 55060-0448

Syracuse Office: Phone 800.836.1885 Worldwide +1.315.451.3440 | jrclancy.com | 7041 Interstate Island Road | Syracuse | NY 13209-9713

ATHLETICS Phone 800.493.6437 | email gearboss@wengercorp.com | gearboss.com | 555 Park Drive, PO Box 448 | Owatonna | MN 55060-0448