

# Portable Staging/Seated Riser Guardrail



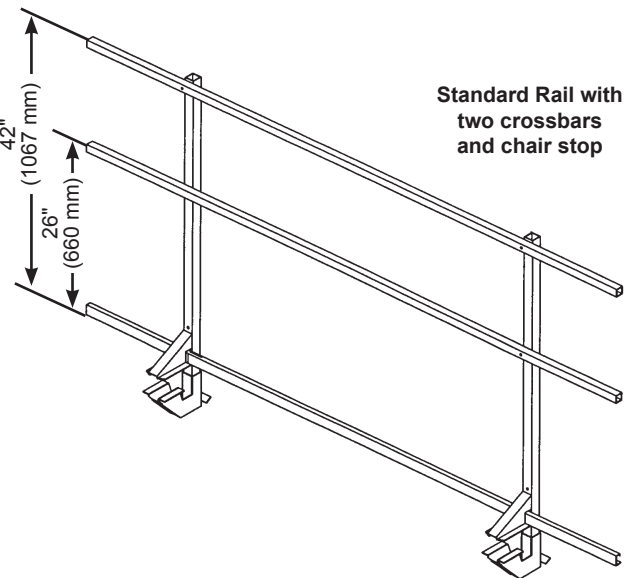
Your Performance Partner

- Fits the following Wenger Portable Staging/Seated Riser Systems: Versalite®, Stagehand® and Trouper®.
- Guardrails comply with many building code requirements for loading.
- Guardrails are recommended for elevations over 12" (305 mm).
- Available with either two crossbars or an infill panel that complies with the 4" (102 mm) sphere requirements of some building codes.
- Guardrails are 42" (1067 mm) high and include a chair stop.
- The second crossbar on the standard rail is located 26" (660 mm) above the stage deck.
- The guardrail has a black powder-coat paint finish and the chair stop has a dark grey powder-coat paint finish.
- Attaches to the staging with a simple clamping device.
- Storage truck available to store and transport the guardrail.
- Environmental attributes and LEED compliance for this product can be found at [www.wengercorp.com/GREEN](http://www.wengercorp.com/GREEN) or by contacting your Wenger representative.
- Five-year warranty.

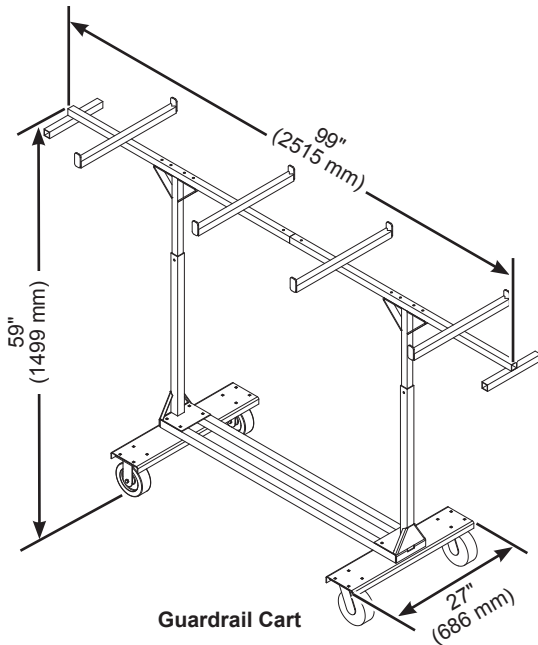
177B012 45 lbs (20 kg) 8' (2438 mm) rail with two crossbars  
 177B009 39 lbs (18 kg) 6' (1829 mm) rail with two crossbars  
 177B004 32 lbs (15 kg) 4' (1219 mm) rail with two crossbars  
 177B002 29 lbs (13 kg) 3' (914 mm) rail with two crossbars.

177C092 70 lbs (32 kg) 8' (2438 mm) rail with 4" (102 mm) sphere panel  
 177C089 53 lbs (24 kg) 6' (1829 mm) rail with 4" (102 mm) sphere panel  
 177C084 35 lbs (16 kg) 4' (1219 mm) rail with 4" (102 mm) sphere panel  
 177C082 27 lbs (12 kg) 3' (914 mm) rail with 4" (102 mm) sphere panel.

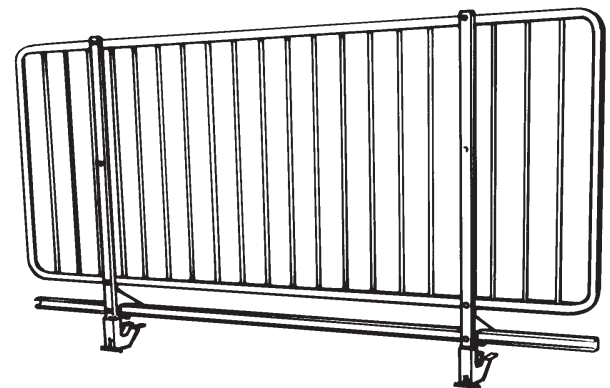
011D800 91 lbs (41 kg) guardrail cart.



Standard Rail with two crossbars and chair stop



Guardrail Cart



In-Fill Panel Railing



© 2017 Wenger Corporation  
USA/2017-12/W

