

Preface® Conductor's Stand

- 238D001 Preface Conductor's Stand 15.3 lb (6.9 kg)
- 18-1/2" high x 29" wide (470 x 737 mm), 1.2 mm thick aluminum desk
- 12-1/2" x 25" x 2" (318 x 635 x 51 mm), 2 mm thick aluminum storage box for out of site storage of additional scores, papers, etc
- Storage box extends the full width of the desk providing additional desk strength
- Integrated storage box allows easy access from either side of the desk
- Side access to the storage box prevents unexpected spills if desk is tipped
- Bolt-through desk attachment to prevent desk from coming off unexpectedly
- Curved desk shape for additional aesthetic appeal
- Double upright posts with brass spring height adjustment mechanisms adjust height of desk from 25-1/2" to 49-1/4" (648 to 1251 mm) desk lip to floor
- Inner tubes of upright posts are black e-coat finish for a formal all-black appearance
- 12-gauge double base assembly with 14-gauge tie bar for additional strength
- Wobble-free base attachment: upright posts sit in the base collars for additional stability
- 19" x 21" (483 x 533 mm) Base footprint for exceptional stability
- Durable black powder-coat paint finish
- UL GREENGUARD certified - product certified for low chemical emissions: ul.com/gg - UL 2818
- Ten-year warranty

Accessories

Electric Music Stand Light

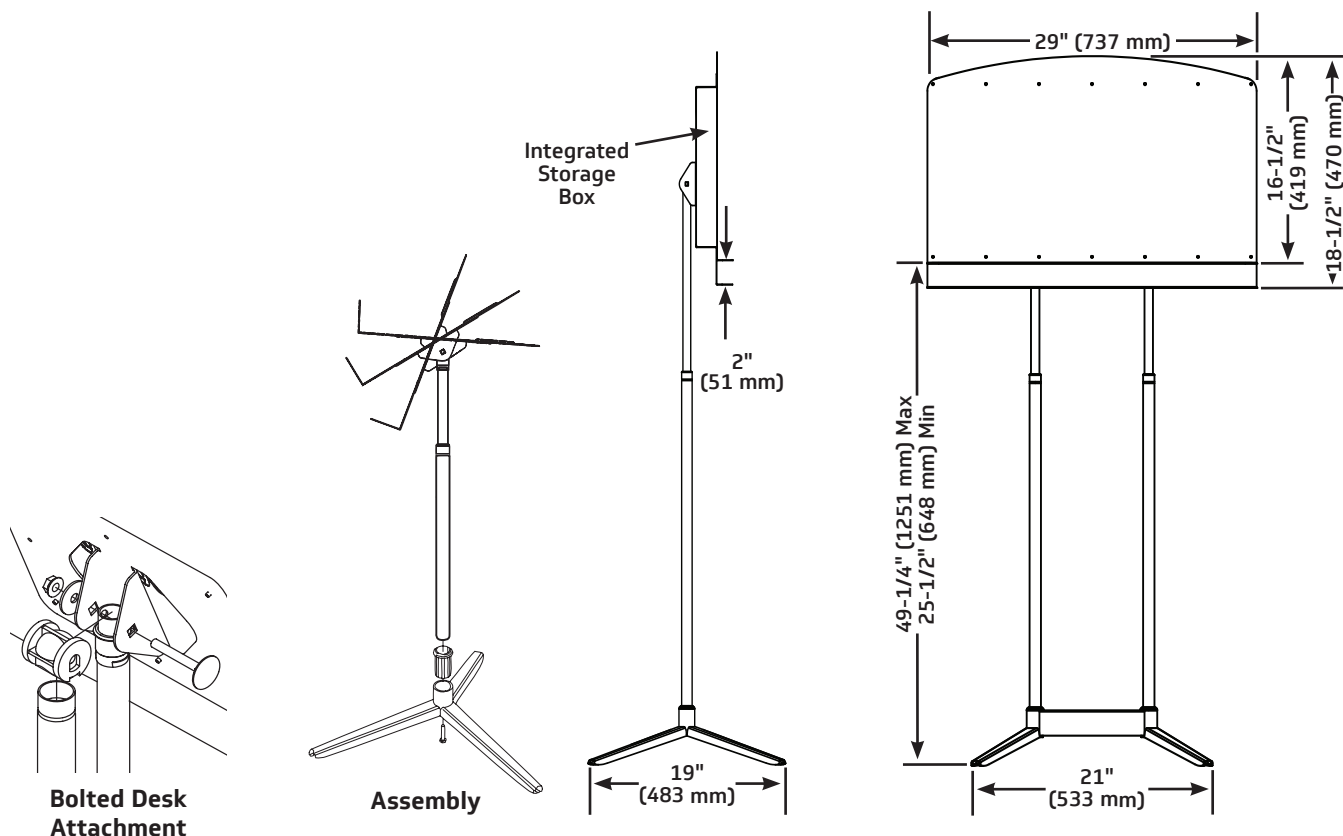
Classic stand light fits all Wenger stands, and most other manufacturers' stands

- 1090001 Music Stand Light, 14 oz (0.4 kg)

LED Music Stand Lights

Compact, attractive, and adjustable, these battery-operated stand lights work with all Wenger stands; features all-LED technology, so no bulbs to replace

- 237A040 HammerHead LED Music Stand Light, 2.1 oz (0.06 kg)
- 237A035 Encore LED Music Stand Light, 4.3 oz (0.12 kg)
- 237A033 Orchestra Music Stand Light, 10.2 oz (0.29 kg)



Accessories continued on next page.

Accessories (continued)

Hands-Free Page Turner

A rugged hands-free device for turning the pages on your digital sheet music; simple setup and operation make this a great solution for musicians who need a hand

- 040A142, 0.55 lb (0.24 kg)
 - Tap the foot switches to turn the pages on your digital sheet music forward or backward
 - No messy cables, wireless connection to tablets or computers up to 60' (18 m) away using secure Bluetooth technology
 - Internal rechargeable battery, up to 100 hours between charges
 - Nearly indestructible, made of same material as bullet-proof glass



Hands-Free Page Turner

Universal Tablet Mount, Single

The perfect holder for most models of tablets, clipping your tablet in place is easy and secure; no more resting your tablet on a stand, amp, floor, etc.

- 040A154, 15 oz (0.42 kg)
 - Attaches to a standard 5/8" (16 mm) threaded stand



**Universal Tablet Mount
(shown on traditional music stand)**



© 2024 Wenger Corporation
USA/2024-03

Minnesota Location Wenger Phone 800.4WENGER (493-6437) Wenger Worldwide +1.507.455.4100 | Parts & Service 800.887.7145 | wengercorp.com
GearBoss Phone 800.493.6437 | gearboss.com
555 Park Drive, PO Box 448 | Owatonna | MN 55060

New York Location J.R. Clancy Phone 800.836.1885 JR Clancy Worldwide +1.315.451.3440 | jrclancy.com | 7041 Interstate Island Road | Syracuse | NY 13209