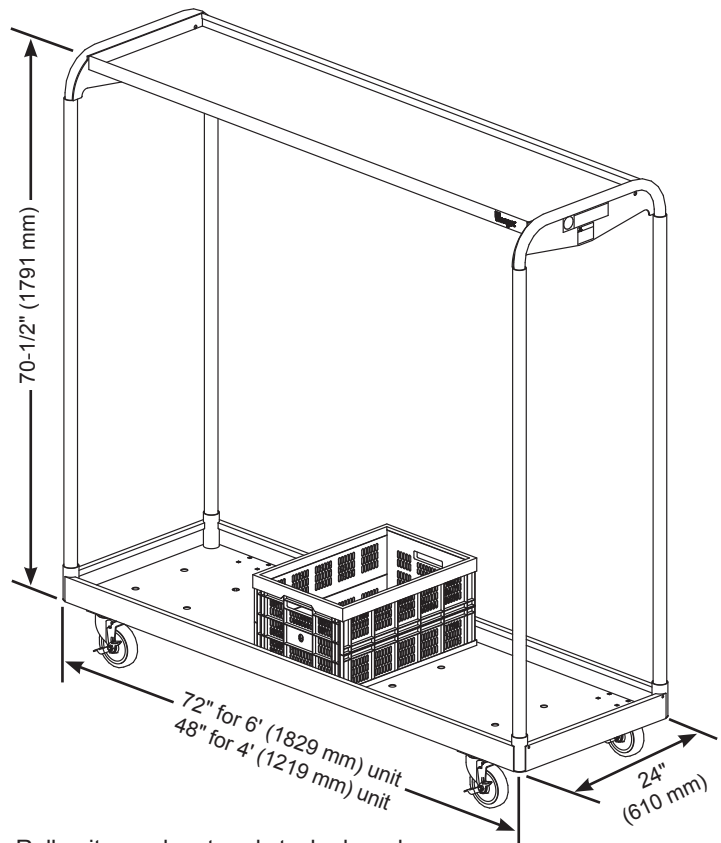
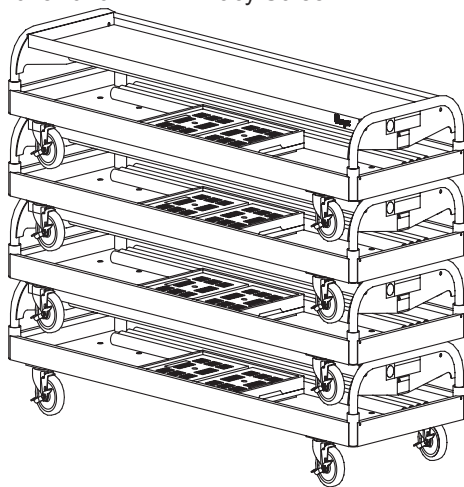


Rack 'n Roll®

- 028B001 4' (1219 mm) Rack 'n Roll 140 lbs (63.5 kg) including one basket.
- 028B002 6' (1829 mm) Rack 'n Roll 163 lbs (74 kg) including one basket.
- Load Capacities
 - 4' (1219 mm) Rack 'n Roll total load capacity - 200 lbs (91 kg), includes top shelf load capacity of 25 lbs (11 kg) and hanger bar load capacity of 100 lbs (45 kg).
 - 6' (1829 mm) Rack 'n Roll total load capacity - 300 lbs (136 kg), includes top shelf load capacity of 25 lbs (11 kg) and hanger bar load capacity of 150 lbs (68 kg).
- Ideal for transporting props, costumes, or other garments.
- Equipped with full-length hanger bar with space for full-length costumes.
- Folding basket organizes smaller items and stores compactly when not in use.
- 14-gauge bottom shelf protects longer garments from dragging on the floor.
- 16-gauge top shelf is ideal for lightweight items.
- Fits through standard 32" (813 mm) door.
- 4' (1219 mm) model is designed for use in passenger elevators. Minimum elevator size: 5' (1524 mm).
- 4' (1219 mm) model designed for one-person operation. Two people required for 6' (1829 mm) model.
- Assembles without the use of tools (1/2" wrench required for initial caster assembly only).
- Durable black powder-coat paint finish.
- Hanger bar constructed of 1-1/4" 11-gauge tubing.
- Uprights constructed of 13-gauge, 1-1/2" inch outside diameter (38 mm) round tubing.
- 5" (127 mm) swivel, locking, non-marking casters provide easy maneuverability.
- Basket is 20-7/8" x 14" w x 10-7/8" h (530 x 356 x 276 mm) when open; 20-7/8" x 14" w x 2-5/8" h (530 x 356 x 67 mm) when folded.
- 4' (1219 mm) model stores compactly in 24" x 48" (610 x 1219 mm) floor space. Allow 70-1/2" (1791 mm) for height (unloaded).
- 6' (1829 mm) model stores compactly in 24" x 72" (610 x 1829 mm) floor space. Allow 70-1/2" (1791 mm) for height (unloaded) plus 3/8" (9.5 mm) brake protrusion on one side.
- Top of hanger bar to top of bottom shelf is 5' 1" (1550 mm).
- UL GREENGUARD Certified - Product certified for low chemical emissions: ul.com/gg - UL 2818.
- Environmental attributes and LEED compliance for this product can be found at www.wengercorp.com/GREEN or by contacting your Wenger representative.
- Dust Covers have security straps and two zippers on one side. Constructed with 600 Denier material. Black in color.
- Five-year warranty.

Accessories

- 028B007 Additional Folding Basket, 4.1 lbs (1.9 kg).
- 028B013 Costume Divider Tags, pack of 25.
- 210B230 Hanger Retainer Clips, pack of 40.
- 028B014 4' (1219 mm) Dust Cover.
- 028B015 6' (1829 mm) Dust Cover.
- 028B016 Privacy Screen.



Multiple Rack 'n Roll units can be stored stacked as shown. It is recommended that the maximum number of stacked units do not exceed four. It is also recommended that two people stack the units for storage. Not intended to be moved when stacked.



© 2017 Wenger Corporation
USA/2017-12/W



WENGER CORPORATION

Phone 800.4WENGER (493-6437) Worldwide +1.507.455.4100 | Fax 507.455.4258 Worldwide +1.507.774.8576
Parts & Service 800.887.7145 | Canada Office 800.268.0148 | Web wengercorp.com | 555 Park Drive, PO Box 448 | Owatonna | MN 55060-0448

JR CLANCY

Phone 800.836.1885 Worldwide +1.315.451.3440 | Fax 877.836.1885 Worldwide +1.315.451.1766 | Web jrclancy.com
7041 Interstate Island Road | Syracuse | NY 13209-9713

GEARBOSS

Phone 800.493.6437 | email gearboss@wengercorp.com | Web gearboss.com | 555 Park Drive, PO Box 448 | Owatonna | MN 55060-0448